

101259 GPS/GLONASS antenna

1575.42 MHz

GPS



Antenna

Center Frequency:	1575.42±1MHz
Band Width:	CF±5MHz
Polarization:	RHCP
Gain:	2dBi
V.S.W.R:	<1.5
Impedance:	50Ω
Axial Ratio:	3 dB (max)
Dimension:	35.5x45.5x14.5 mm

LNA

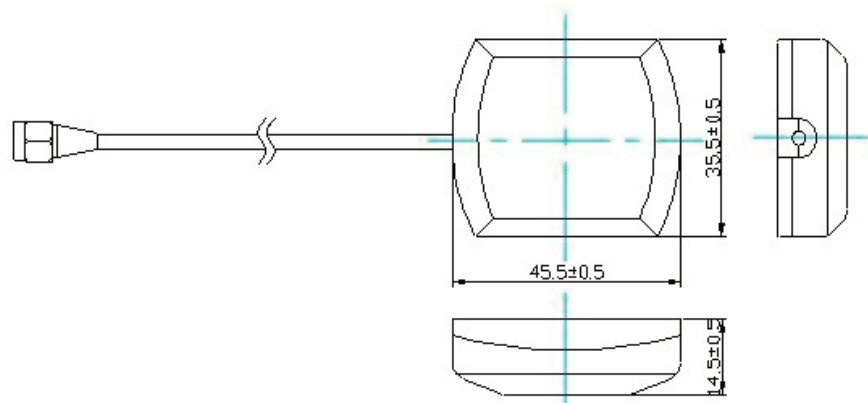
Gain:	28±2dB
Noise Figure:	<1.5
Filter Insertion Loss:	<3 dB
Ex-band Attenuation:	12dB@CF+50MHz/16dB@CF-50MHz
Supply Voltage:	2.2-5V DC
Current Consumption:	5-15mA
V.S.W.R:	<2.0

Mechanical

Cable:	3m RG174
Connector:	SMA (male)
Radome Material:	ABS
Mounting Method:	Magnet / Adhesive (optional)

Environmental

Operating Temperature:	-40°C to +85°C
Relative Humidity:	Up to 95%
Ingress Protection:	IP67
Vibration:	10 to 55Hz with 1.5mm amplitude 2hours
Environmentally Friendly:	ROHS Compliant



101259

GPS/GLONASS antenna

