

# LPW-460

## Low Profile 460MHz Antenna

Issue Date:24/05/2019 v.3



- Low profile
- Adhesive or screw mount
- Multiple cable routing options

The Panorama LPW antenna is designed to decrease the lifetime cost of M2M and smart metering installations by offering a robust, effective antenna that is easy to install.

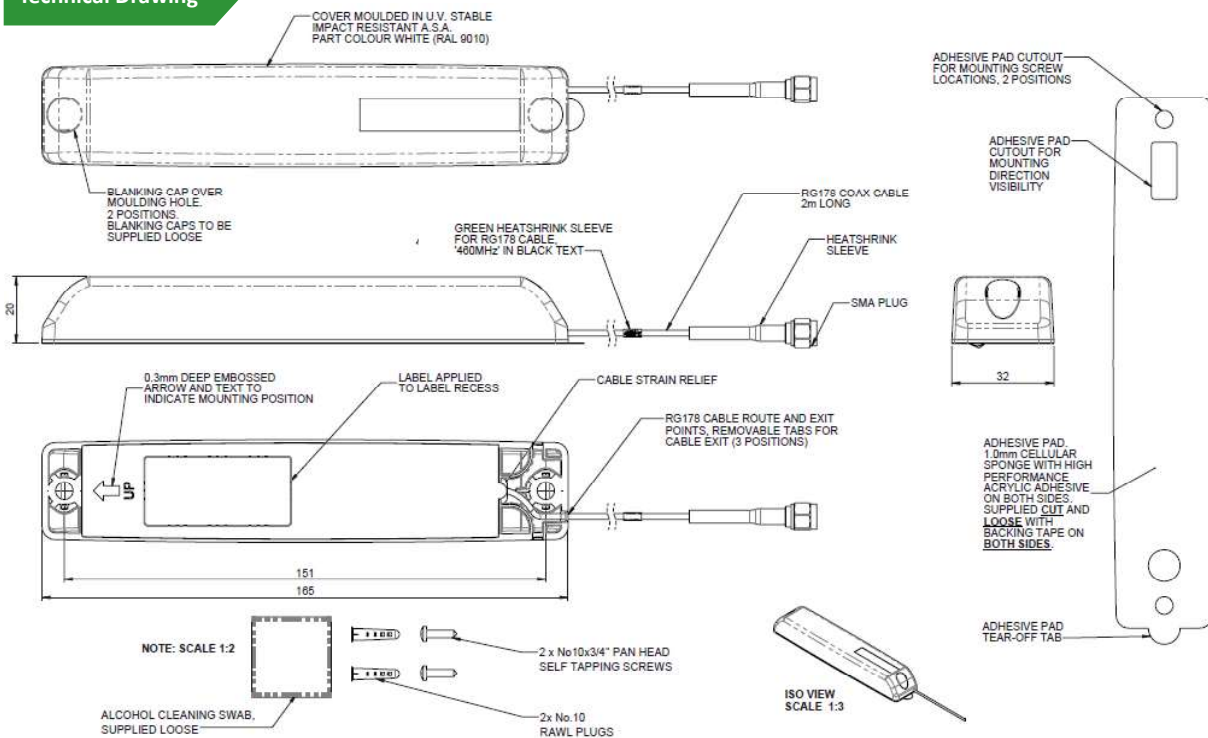
The antenna offers omni-directional performance across the 460MHz band. The efficient element design ensures a high first time connection rate and an ongoing, robust communications link+.

The antenna can be installed using the supplied industrial grade adhesive pad or via the integrated screw mounting bosses.

+Performance may change based on mounting surface.

### Technical Drawing

LPW-460-2SP Shown



## Part No.

LPW-460-2SP

LPW-460-2RFAKDJ

## Electrical Data

Frequency Range (MHz)	450-465MHz
Peak Gain: Isotropic †	-2dBi
Typical VSWR	<2.5:1
Polarisation	Vertical
Pattern	Omni-directional
Impedance	50Ω
Max input power (W)	20

## Mechanical Data

Dimensions (mm)	Height	20 (0.79")
	Length	165 (6.5")
	Depth	32 (1.26")
Operating Temp (°C)	-30° / +70°C (-30° / 158°F)	
Material	ASA Plastic	
Colour	White RAL 9010	

## Mounting Data

Fixing Acrylic adhesive pad and 2x ST/STL 4.8/19mm screws

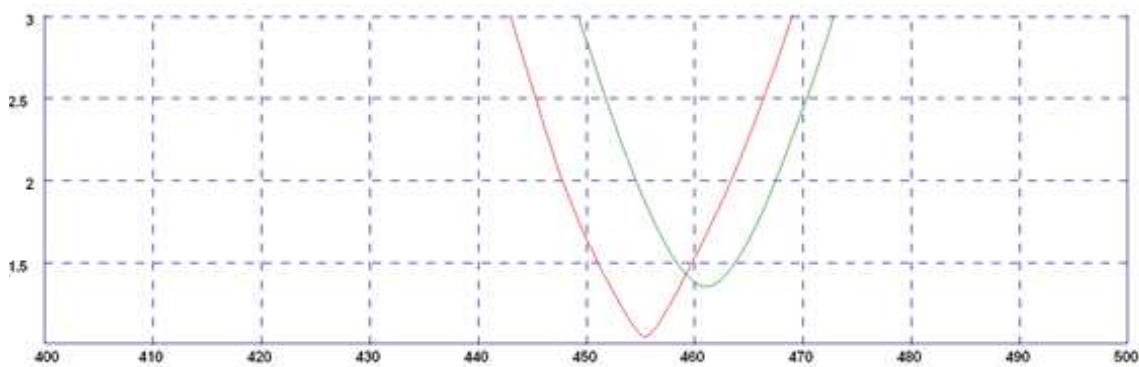
## Cable Data

Cable Type	RG178
Diameter (mm)	1.8 (.07")
Length (m)	2 (6.6')
Termination	SMA Plug R/ FAKRA D Jack

† Peak gain measured with antenna mounted on metal sheet and does not include cable attenuation

## Typical VSWR\*

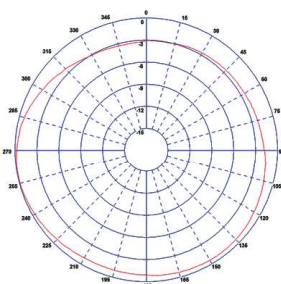
## VSWR



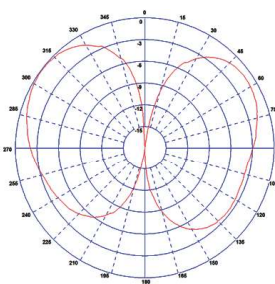
\*Red trace = metal groundplane, green trace = in free space both measured with 2m (6'6") of RG178 cable

## Patterns

Typical H plane (460MHz)



Typical E plane (460MHz)



**PANORAMA ANTENNAS**  
 Panorama Antennas Ltd  
 Frogmore, London, SW18 1HF, United Kingdom

T: +44 (0)20 8877 4444  
 F: +44 (0)20 8877 4477  
 E: sales@panorama-antennas.com  
 www.panorama-antennas.com

Waiver: The data given above is indicative of the performance of the product/s under particular conditions and does not imply a guarantee of performance. These specifications are subject to change without notice.

Copyright © Panorama Antennas Ltd. All rights reserved.