

Adapter 160565

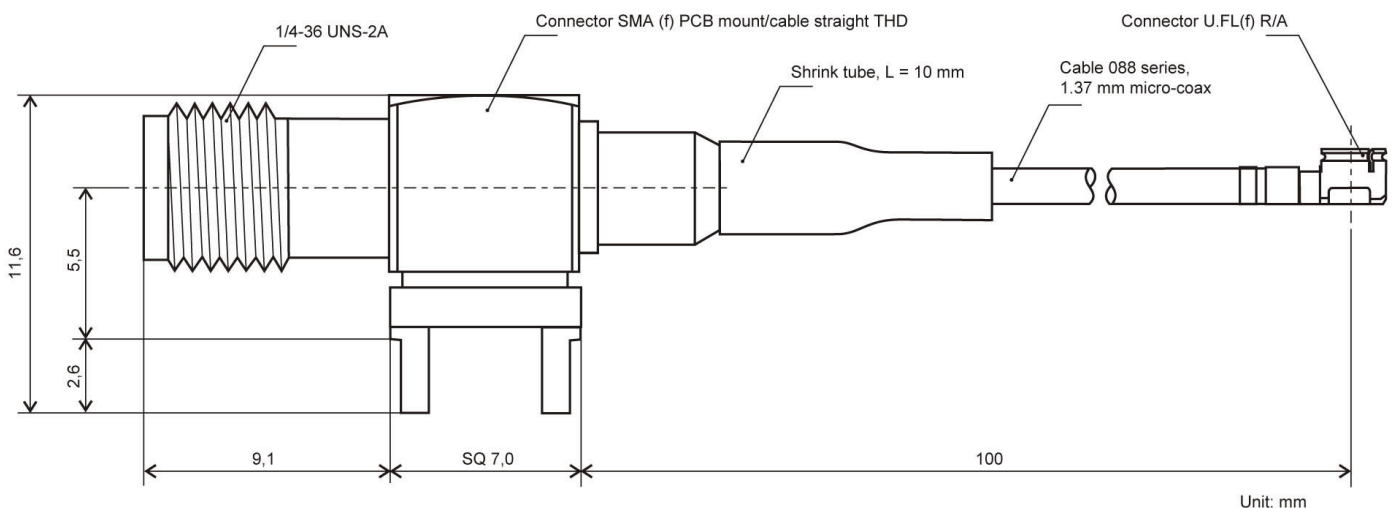


u.FL-088F (female), SMA (female)-PCB, 10cm



Technical Data:

Frequency range:	Up to 6 GHz
Impedance:	$50 \pm 2 \text{ Ohm}$
Insulation resistance:	500 M Ω min.
Maximum VSWR:	< 1.20:1 / 3 GHz
Maximum Insertion Loss:	-0.45 dB / 3 GHz
Voltage power:	30 V
Maximum operating voltage:	200 V AC/1 min
Cable type:	Cable 088 series, Diameter 1.37 mm, micro coax
Cable length:	0.1 m
Connector type A:	SMA (female) straight, PCB mount for 1.37 mm cable, THD
Connector type B:	U.FL-LP-088
Operating temperature:	-40 °C to +90 °C
Weight:	5.12 g
Certification:	RoHS

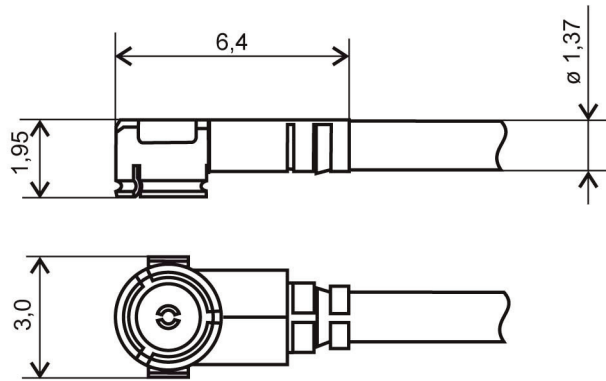


Adapter 160565



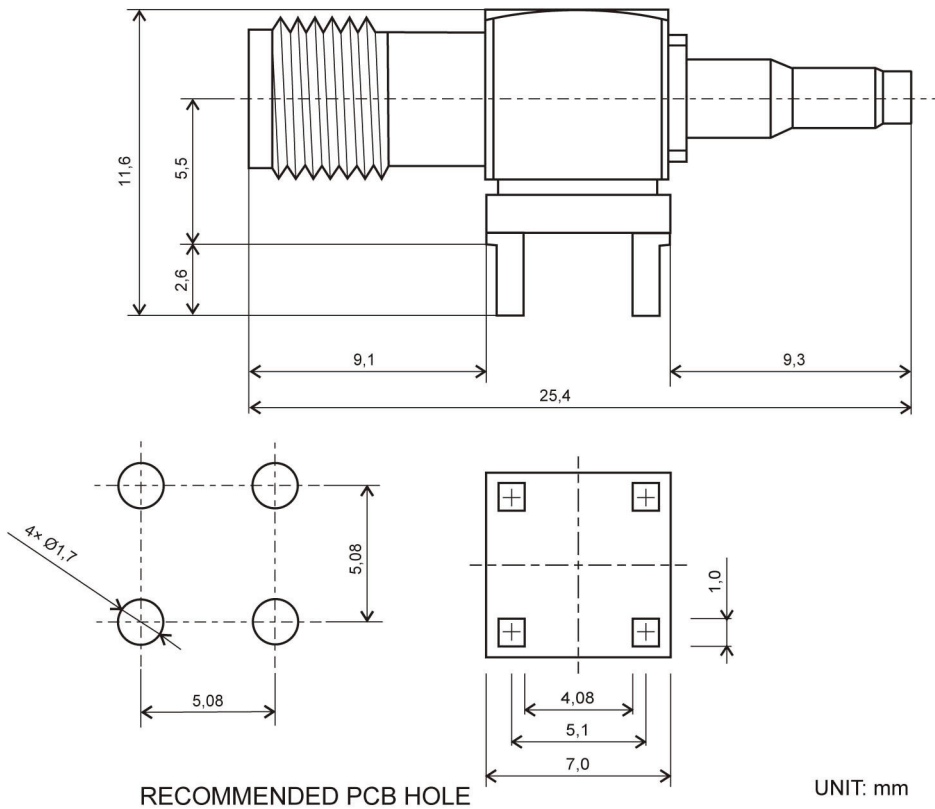
u.FL-088F (female), SMA (female)-PCB, 10cm

Connector U.FL-LP-088



UNIT: mm

Connector SMA (f) straight, PCB mount for 1.37 mm cable, THD



UNIT: mm