

# Antenna 100934

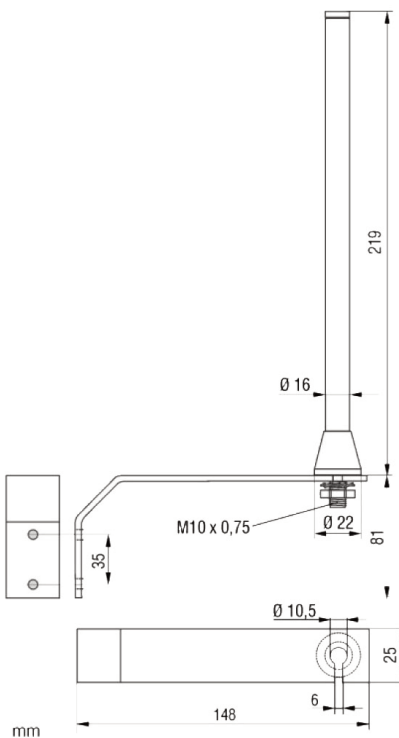
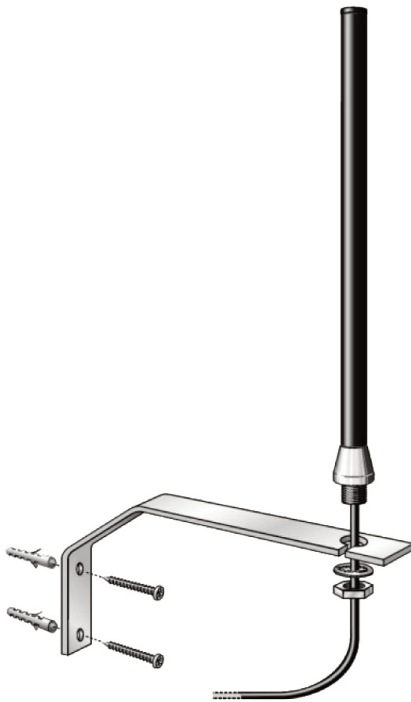


## ISM/GSM wall antenna



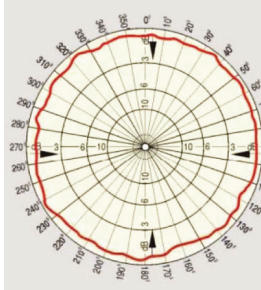
### Specifications:

Frequency Range:	ISM 868; GSM 850-900/1800-1900 MHz
V.S.W.R:	≤ 2 : 1
Impedance:	50 Ω
Gain:	2 dBi
Cable:	20 m LowLoss
Connector:	SMA (male)
Dimension:	219 mm
Operating temperature range:	-30°C to +70°C
Delivery with wall holder and screws.	

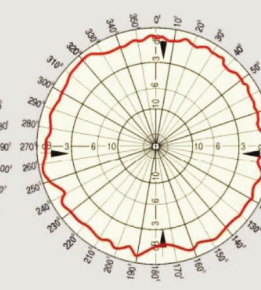


### Directional Diagrams

Vertical polarisation  
at 900 MHz



Vertical polarisation  
at 1800 MHz



### Return Loss

