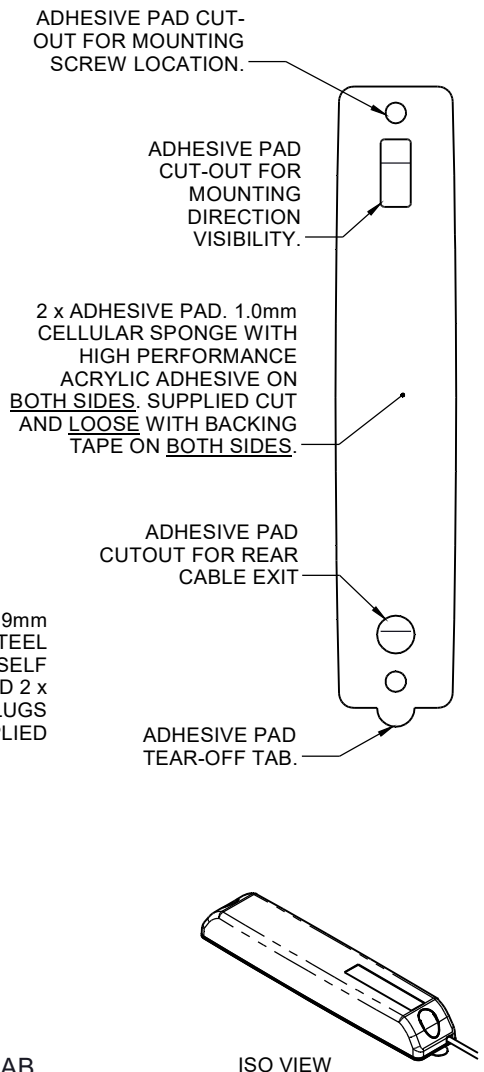
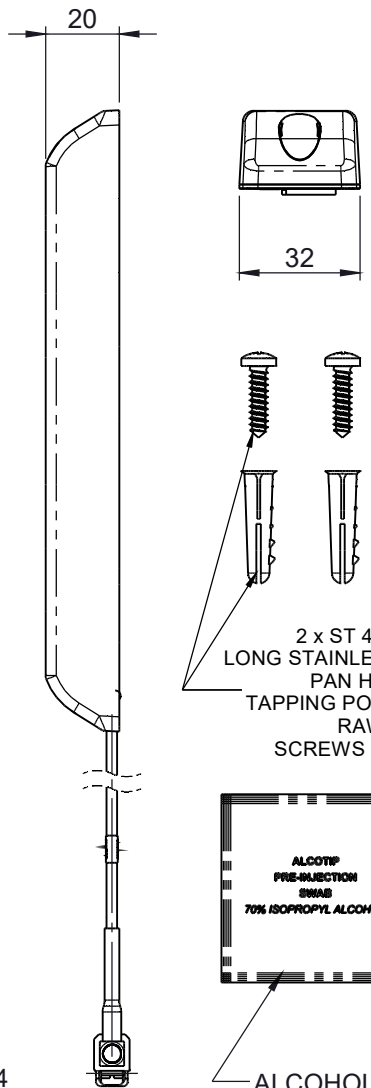
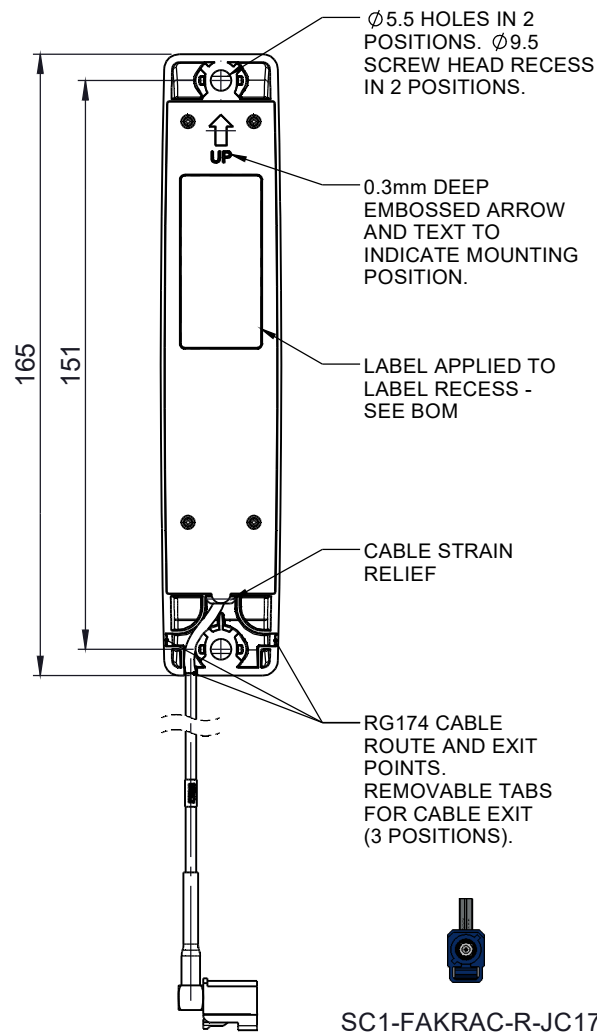
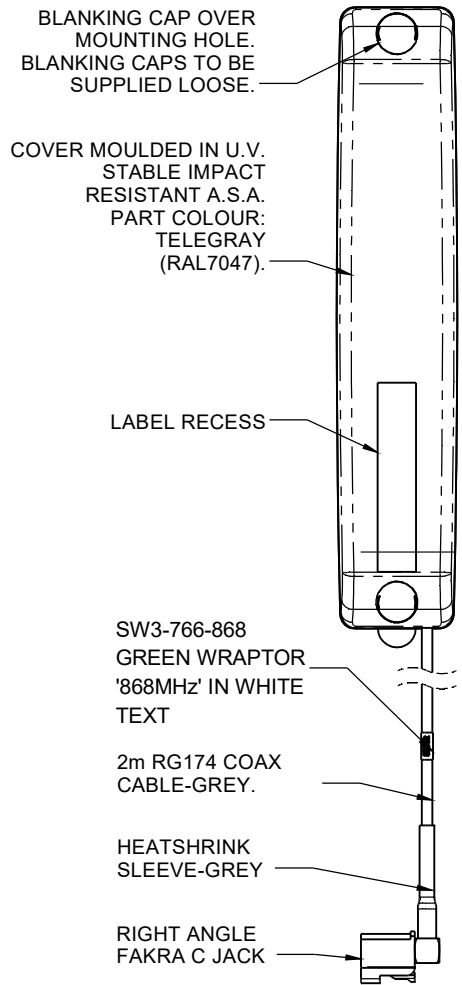


A  
  
B  
  
C  
  
D



- NOTES:
- SAMPLES MUST BE APPROVED BY PANORAMA ANTENNAS Q.C. BEFORE COMMENCING PRODUCTION.
  - ALL MATERIALS SUPPLIED MUST BE RoHS3 (DIRECTIVE (EU) 2015/863) COMPLIANT AND MUST NOT CONTAIN ANY SUBSTANCES OF VERY HIGH CONCERN (SVHCs) LISTED UNDER REACH OR POLY-AROMATIC HYDROCARBONS (PAHs), OR PERSISTENT ORGANIC POLLUTANTS (POPs) CONTROLLED BY THE STOCKHOLM CONVENTION.

						PRODUCT/ASSEMBLY	DESCRIPTION						
						1008 - M2M LOW PROFILES	868MHz WALL MNT ANT 2m RA FAKCJ						
						MATERIAL	N/A						
						FINISH	N/A						
01019	A	INITIAL ISSUE	15/01/2019	CL		APPROVED	PE	D.O.CHECK	AR	SCALE	1:2	DIMENSIONS	IN mm
PCN	REV.	DESCRIPTION	DATE	DRN.	WEIGHT	70g		SHEET		1 OF 2			