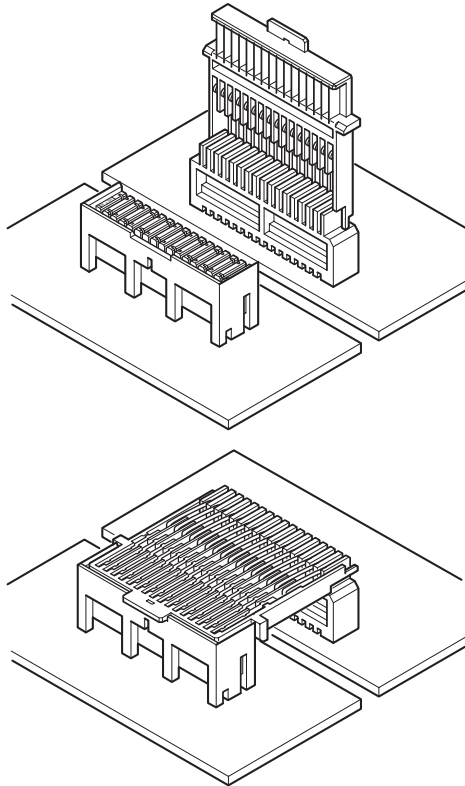


# 1.5FJ CONNECTOR

1.5mm pitch/Board-to-board connectors



**The 1.5FJ connector is a 1.5mm pitch board-to-board connector. Its plug consists of a unique flexible hinge that absorbs circuit board misalignment. Board-to-board connection requires less labor and is more reliable because the connection can be made without the use of harnesses after the printed circuit boards are installed in their enclosures.**

- Flexible connection absorbs circuit board misalignment
- Provides a low profile mount and allows connection after mounting
- Assures a reliable connection

## Specifications

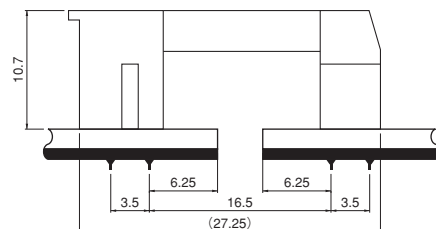
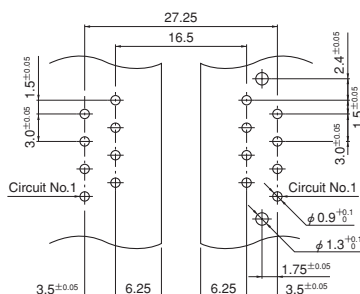
- Current rating: 0.5A AC, DC
- Voltage rating: 50V AC, DC
- Temperature range: -25°C to +85°C  
(including temperature rise in applying electrical current)
- Contact resistance: Initial value/80m Ω max.  
After environmental testing/100m Ω max.
- Insulation resistance: 500M Ω min.
- Withstanding voltage: 500V AC/minute
- Applicable PC board thickness: 1.6mm
- \* Compliant with RoHS.
- \* Refer to "General Instruction and Notice when using Terminals and Connectors" at the end of this catalog.
- \* Contact JST for details.

## Standards

Recognized E60389

Certified LR20812

### PC board layout (viewed from component side) and Assembly layout

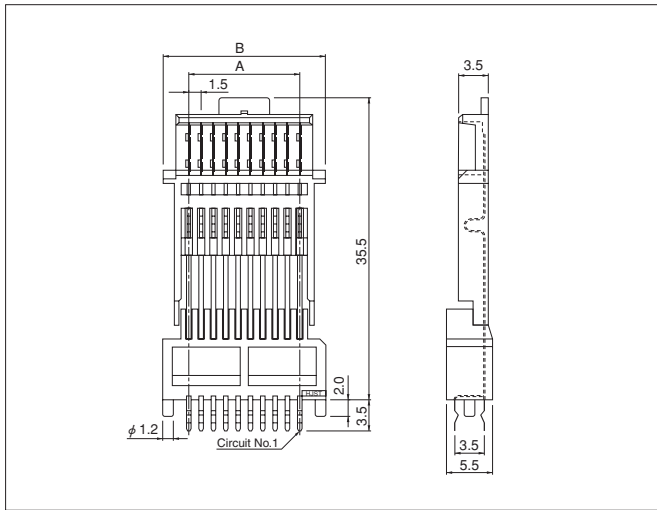


Note: 1. Tolerances are non-cumulative: ±0.05mm for all centers.

2. Hole dimensions differ according to the kind of PC board and piercing method. The dimensions above should serve as a guideline. Contact JST for details.

# 1.5FJ CONNECTOR

## Plug



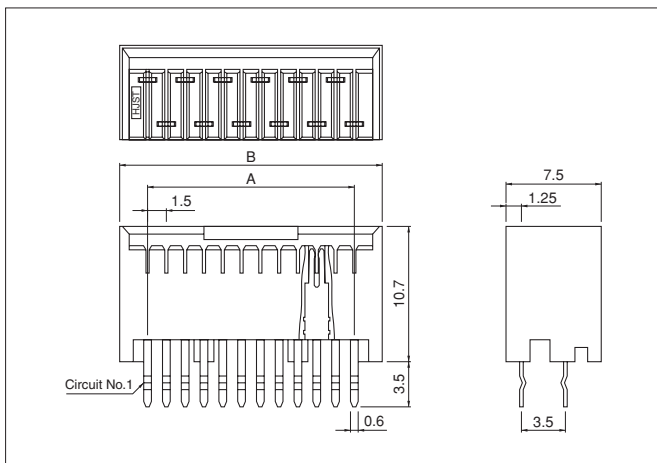
Circuits	Model No.	Dimensions (mm)		Q'ty / box
		A	B	
8	<b>08P-1.5FJ</b>	10.5	16.5	245
16	<b>16P-1.5FJ</b>	22.5	28.5	140

### Material and Finish

Contact: Phosphor bronze, tin-plated (reflow treatment)  
Housing: Glass-filled PBT, UL94V-0, black

**RoHS compliance**

## Receptacle



Circuits	Model No.	Dimensions (mm)		Q'ty / box
		A	B	
8	<b>08R-1.5FJ</b>	10.5	15.0	440
16	<b>16R-1.5FJ</b>	22.5	27.0	220

### Material and Finish

Contact: Phosphor bronze, copper-undercoated, tin-plated (reflow treatment)  
Housing: Glass-filled PBT, UL94V-0, black

**RoHS compliance** This product displays (LF)(SN) on a label.