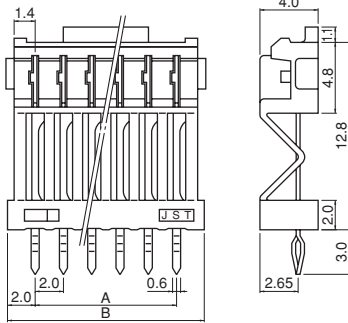


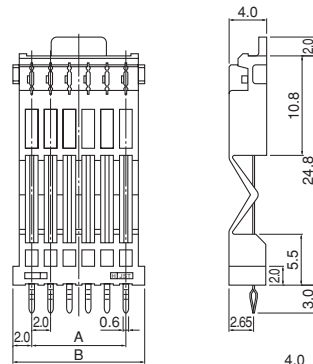
FJ CONNECTOR

Plug

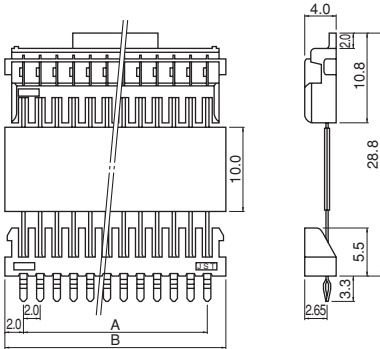
Short type



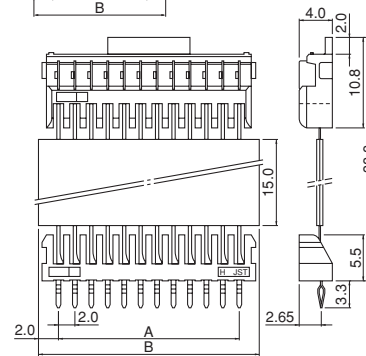
FJ-V type



FJ-L type



FJ-K type



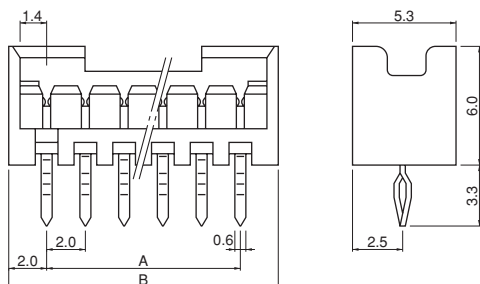
Circuits	Model No.				Dimensions (mm)		Qty / box			
	Short type	FJ-V type	FJ-L type	FJ-K type	A	B	Short type	FJ-V type	FJ-L type	FJ-K type
4	04P-FJ	—	—	—	6.0	10.0	500	—	—	—
5	—	—	05PL-FJ	05PK-FJ	8.0	12.0	—	—	250	150
6	06P-FJ	—	06PL-FJ	06PK-FJ	10.0	14.0	250	—	200	150
7	07P-FJ	—	07PL-FJ	07PK-FJ	12.0	16.0	250	—	200	100
8	08P-FJ	—	08PL-FJ	08PK-FJ	14.0	18.0	200	—	200	100
9	09P-FJ	—	—	—	16.0	20.0	200	—	—	—
10	10P-FJ	—	10PL-FJ	10PK-FJ	18.0	22.0	200	—	100	100
11	11P-FJ	11PV-FJ	—	—	20.0	24.0	200	168	—	—
12	12P-FJ	—	12PL-FJ	12PK-FJ	22.0	26.0	100	—	100	50
13	—	13PV-FJ	—	—	24.0	28.0	—	168	—	—
14	14P-FJ	—	14PL-FJ	14PK-FJ	26.0	30.0	100	—	100	50
15	—	15PV-FJ	—	—	28.0	32.0	—	168	—	—

Material and Finish

Contact: Phosphor bronze, tin-plated (reflow treatment)
Housing: PA 66, UL94V-0, white
Insulation tape: Acetate, UL510FR (FJ-L type)
Polyester, UL94V-0 (FJ-K type)

RoHS compliance

Receptacle



Circuits	Model No.	Dimensions (mm)		Qty / box
		A	B	
4	04R-FJ	6.0	10.0	500
5	05R-FJ	8.0	12.0	500
6	06R-FJ	10.0	14.0	500
7	07R-FJ	12.0	16.0	500
8	08R-FJ	14.0	18.0	250
9	09R-FJ	16.0	20.0	250
10	10R-FJ	18.0	22.0	250
11	11R-FJ	20.0	24.0	250
12	12R-FJ	22.0	26.0	200
13	13R-FJ	24.0	28.0	200
14	14R-FJ	26.0	30.0	200
15	15R-FJ	28.0	32.0	200

Material and Finish

Contact: Phosphor bronze, copper-undercoated, tin-plated (reflow treatment)
Housing: PA 66, UL94V-0, white

RoHS compliance This product displays (LF)(SN) on a label.