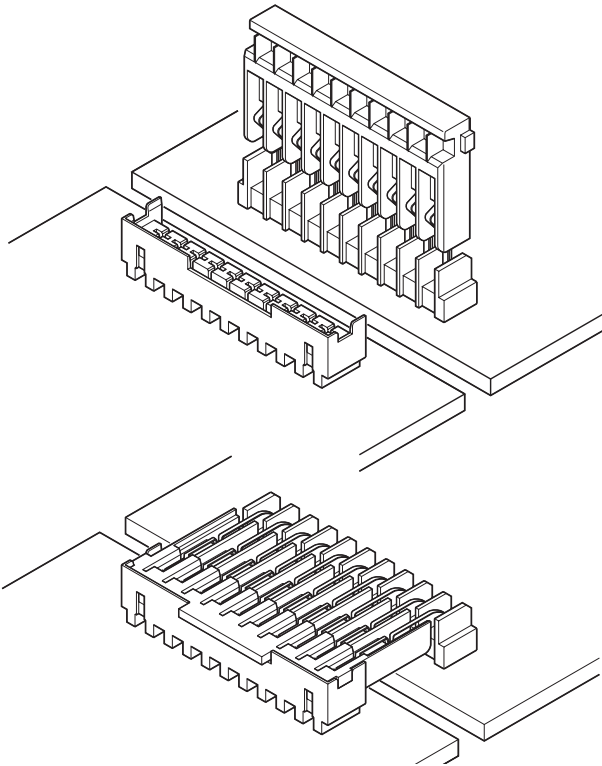


2.5FJ CONNECTOR

2.5mm pitch/Board-to-board connectors



The 2.5FJ connector is a 2.5mm pitch board-to-board connector. The connector halves can be mated after the installation of the printed circuit boards in their enclosure.

- Flexible connection absorbs circuit board misalignment
- Provides a low profile mount and allows connection after mounting
- Assures a reliable connection

Specifications

- Current rating: 1.0A AC, DC
- Voltage rating: 50V AC, DC
- Temperature range: -25°C to +85°C
(including temperature rise in applying electrical current)
- Contact resistance: Initial value/60m Ω max.
After environmental testing/80m Ω max.
- Insulation resistance: 500M Ω min.
- Withstanding voltage: 500V AC/minute
- Applicable PC board thickness: 1.6mm
- * Compliant with RoHS.
- * Refer to "General Instruction and Notice when using Terminals and Connectors" at the end of this catalog.
- * Contact JST for details.

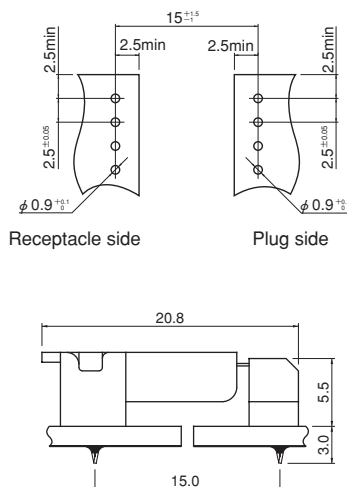
Standards

Recognized E60389

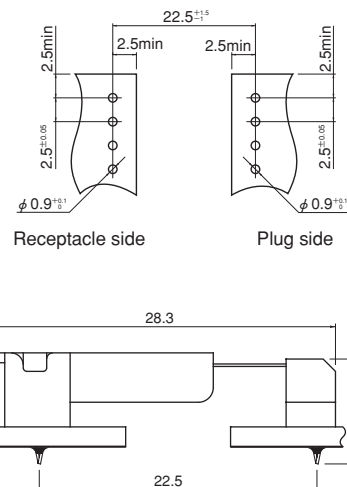
Certified LR20812

PC board layout (viewed from component side) and Assembly layout

Short type



Long type



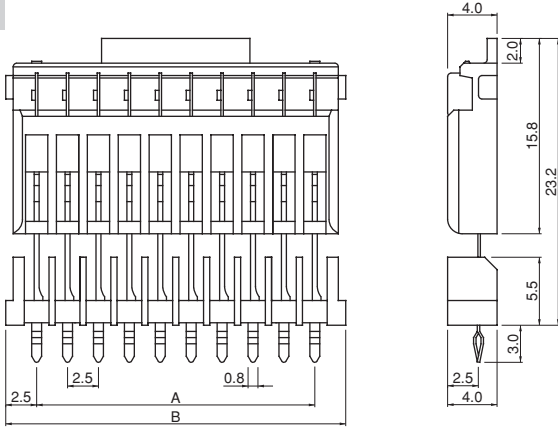
Note: 1. Tolerances are non-cumulative: ±0.05mm for all centers.

2. Hole dimensions differ according to the kind of PC board and piercing method. The dimensions above should serve as a guideline. Contact JST for details.

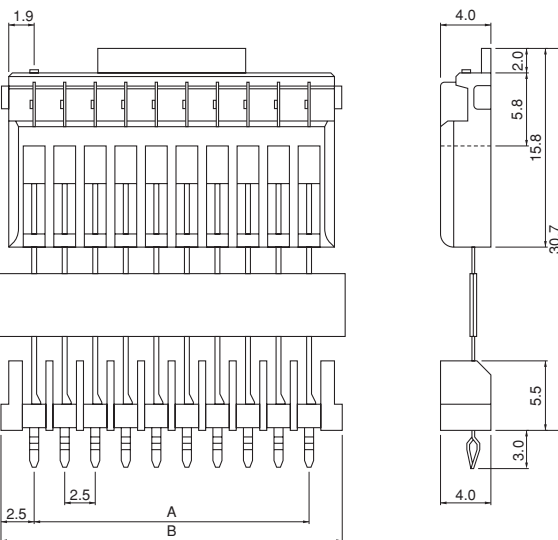
2.5FJ CONNECTOR

Plug

Short type



Long type



Circuits	Model No.		Dimensions (mm)		Q'ty / box	
	Short type	Long type	A	B	Short type	Long type
5	05TM-2.5FJ	—	10.0	15.0	200	—
10	10TM-2.5FJ	10PN-2.5FJ	22.5	27.5	100	100

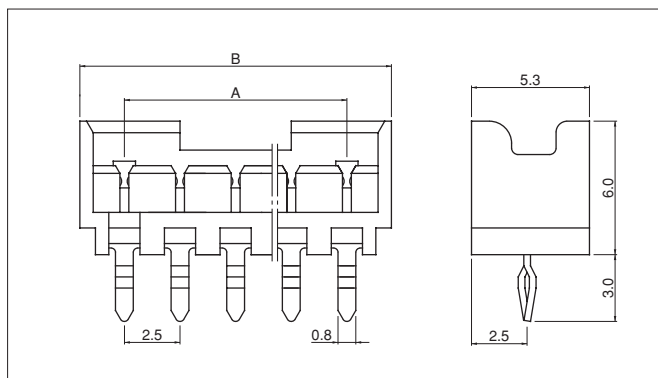
Material and Finish

Contact: Phosphor bronze, tin-plated (reflow treatment)
Housing: PA 66, UL94V-0,
Short type —white (natural)
Long type —white (natural)

RoHS compliance

Note: 10PN-2.5FJ is not UL/CSA approved.

Receptacle



Circuits	Model No.	Dimensions (mm)		Q'ty/box
		A	B	
5	05R-2.5FJ	10.0	15.0	200
10	10R-2.5FJ	22.5	27.5	200

Material and Finish

Contact: Phosphor bronze, copper-undercoated, tin-plated (reflow treatment)
Housing: PA 66, UL94V-0

RoHS compliance This product displays (LF)(SN) on a label.