

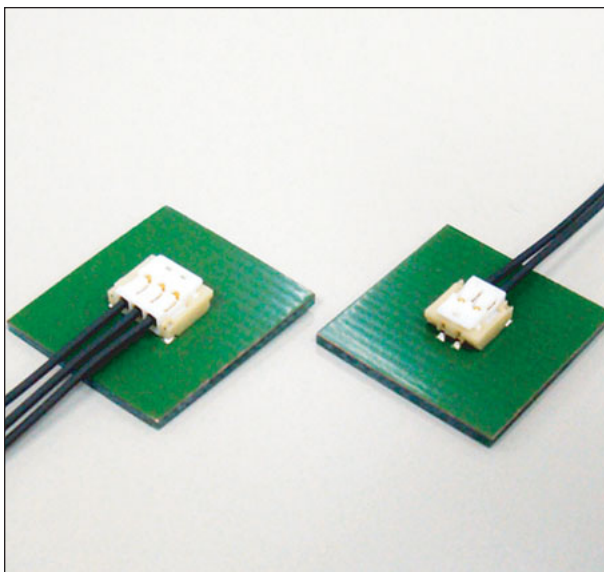
# NEW PRODUCT

For W to B Connection

## ACH CONNECTOR H-Type

1.2mm Pitch

This ACH connector is a tall type wire to board connector. It becomes possible to locate other precise mounting parts around the connector by raising the drawer position of the wire from the socket, and the space saving is provided.



### ■ Features

#### ● Conventional ACH header in common use

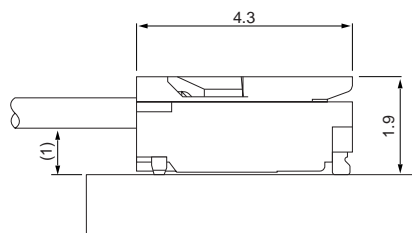
Conventional ACH header can be shared with this connector although socket and contact is newly designed.

#### ● Improving workability of mating operation in assembly

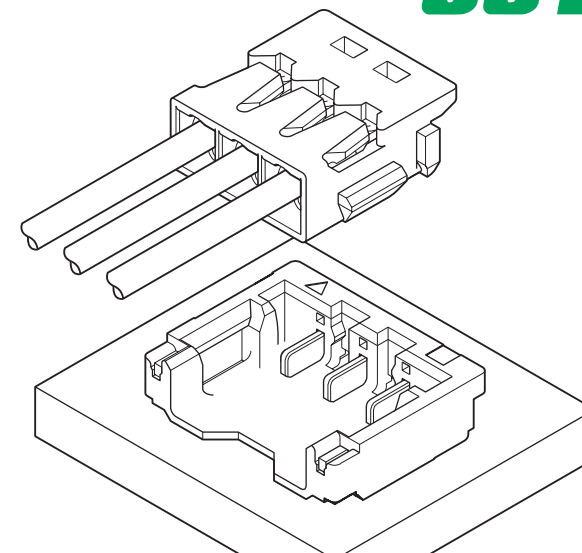
Protecting of insufficient insertion and workability of mating operation are improved by providing the large pressurization area on the socket.

#### ● Enabling to mount the components very close to the connector

The precise components were enabled to be mounted around the connector by raising the connector height, and the space saving is provided.



# JST



### ■ Specifications

- Current rating : 2 A AC,DC (AWG #28)
- Voltage rating : 50V AC,DC
- Temperature range : — 25°C to + 85°C (including temperature rise in applying electrical current)
- Contact resistance : Initial value/10mΩ max.  
After environmental testing/20mΩ max.
- Insulation resistance : 100MΩ min.
- Withstanding voltage : AC 500V/1minute
- Applicable wire range : Conductor size/AWG #30 to AWG #28  
O.D./φ 0.5 to φ 0.63mm
- No. of Circuits : 2 & 3-circuit
- Part number : Socket contact/ SACH-003G-P0.2H  
: Socket housing/ ACHR-(\*)V-H-(\*)2  
: Header (Conventional ACH header)  
/ BM(\*)-ACH(\*)S-GAN-ETF

Note: Number of circuits is indicated in (\*1).

A character of an alphabet in color is indicated in (\*2)

## J.S.T. MFG. CO., LTD.

<http://www.jst-mfg.com>