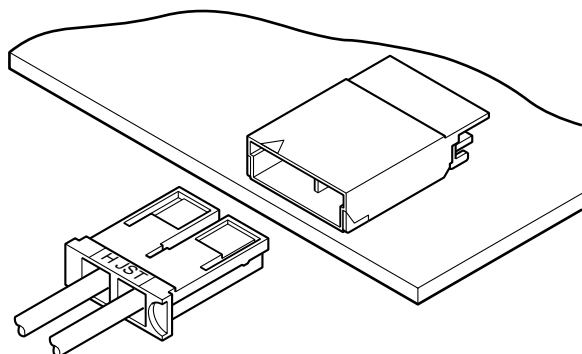


# BHL CONNECTOR

Disconnectable Crimp style connectors



**Low profile connector with high withstanding voltage, designed for connecting liquid crystal display backlight lamps to their starters. The BHL connector is 2.8mm thick, so the mounting height is only 3.0mm.**



## Features

### • Contact lances

Contacts are secured in the housing by their spring action, thus fully shrouded. This helps improve the withstanding voltage.

### • Anti-misinsertion housing

The housing has mis-insertion preventive guides on both sides. Housing locks prevent release of the housing that might result from vibration or shock.

## Specifications

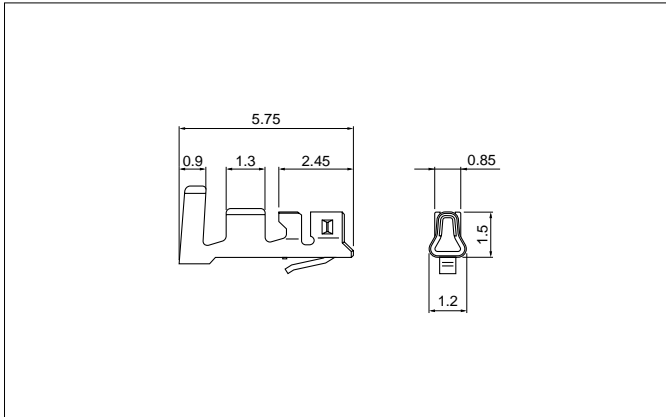
- Current rating: 1.0A AC, DC (AWG #24)
  - Voltage rating: 1,400V AC, DC
  - Temperature range: -25°C to +85°C  
(including temperature rise in applying electrical current)
  - Contact resistance: Initial value/10m  $\Omega$  max.  
After environmental testing/20m  $\Omega$  max.
  - Insulation resistance: 1,000M  $\Omega$  min.
  - Withstanding voltage: 3,800V AC/minute
  - Applicable wire: Conductor/AWG #28 to #24  
Insulation O. D./0.9 to 1.7mm
- \* RoHS compliant products are published.  
\* Refer to "General Instruction and Notice when using Terminals and Connectors" at the end of this catalog.  
\* Contact JST for details.

## Standards

 Recognized E60389

 Certified LR20812

## Contact



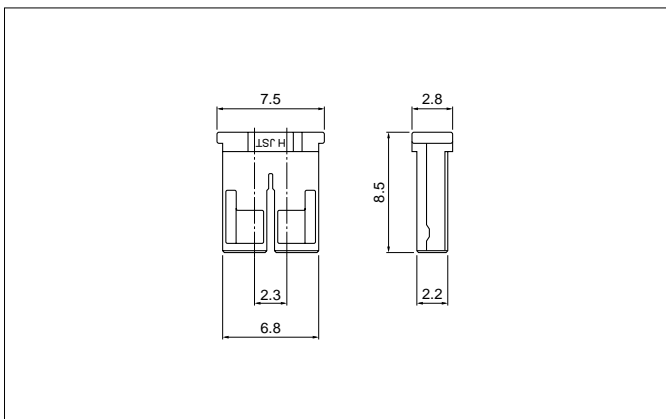
Model No.	Applicable wire			Q'ty / reel
	mm <sup>2</sup>	AWG #	Insulation O.D. (mm)	
<b>SBHL-002T-P0.5</b>	0.08 to 0.22	28 to 24	0.9 to 1.7	10,000

### Material and Finish

Phosphor bronze, tin-plated (reflow treatment)

**RoHS compliance**

## Housing



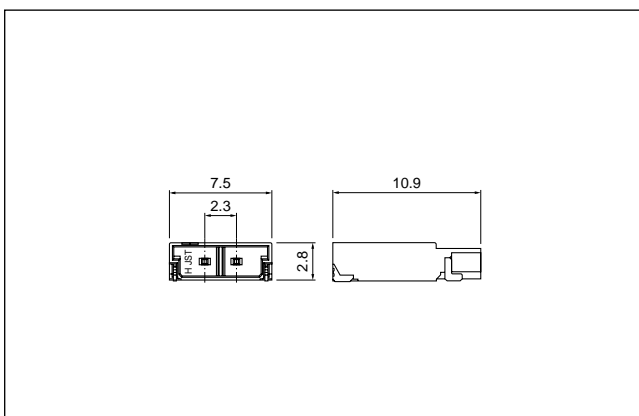
Circuits	Model No.	Q'ty / bag
2	<b>BHLR-02VS</b>	1,000

### Material

Thermoplastic resin, UL94V-0, black

**RoHS compliance**

## Shrouded header



Circuits	Model No.	Q'ty / reel
2	<b>SM02B-BHLS-1-TB</b>	1,500

### Material and Finish

Post: Copper alloy, copper-undercoated, tin-plated (reflow treatment)

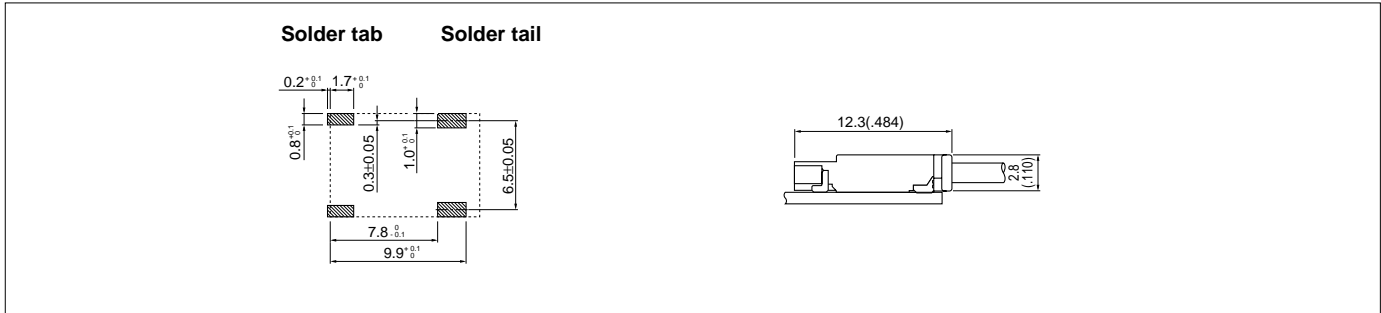
Wafer: Heat resisting resin, UL94V-0, natural (ivory)

Solder tab: Copper alloy, copper-undercoated, tin-plated (reflow treatment)

**RoHS compliance** This product displays (LF)(SN) on a label.  
Note: The products listed above are supplied on embossed-tape.

# BHL CONNECTOR

## PC board layout (viewed from component side) and Assembly layout



**Note:**

1. Tolerances are non-cumulative:  $\pm 0.05\text{mm}$  for all centers.
2. Hole dimensions differ according to the kind of PC board and piercing method.  
The dimensions above should serve as a guideline. Contact JST for details.

## Crimping machine, Applicator

Contact	Crimping machine	Crimp applicator	Dies	Crimp applicator with dies
SBHL-002T-P0.5	AP-K2N	MKS-L	MK/SBHL-002-05	APLMK SBHL002-05
		-	-	-