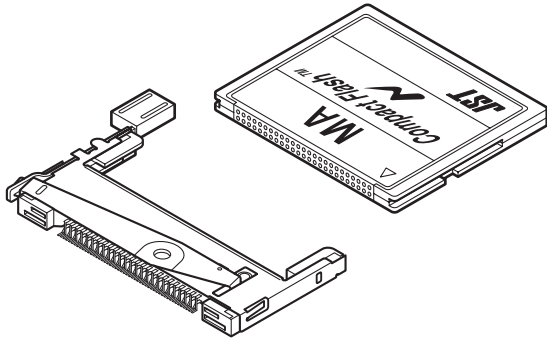




CF CARD CONNECTOR MA Type



1.27mm pitch/50-circuit CF card connector



- Socket / Dual-row straddle type, SMT type
- Card frame / for type I cards
- Adapter / for type I, II cards
- Header / for type I, II cards
- Ejector / for type I, II cards

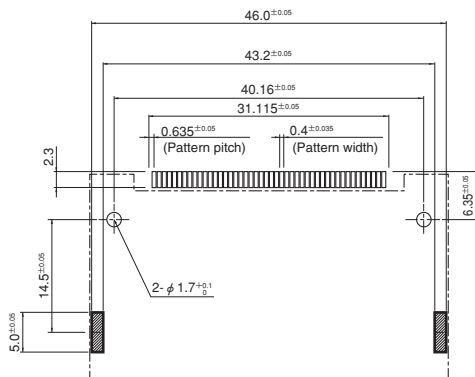
Specifications

- Pitch: 1.27mm
- Type: Dual-row at mating section
- Current rating: 0.5A AC, DC/line
- Temperature range: -20°C to +60°C
(including temperature rise in applying electrical current)
- Contact resistance: Initial value/40m Ω max.
After environmental testing/20m Ωmax.
(variation from initial value)
- Insulation resistance: 1,000M Ωmin. 500V DC (Except for Adapter cards)
- Withstanding voltage: 500V AC/minute (Except for Adapter cards)
- Mating/unmating life: 10,000 cycles
- Conforms to CFA.
- * Compliant with RoHS.
- * Refer to "General Instruction and Notice when using Terminals and Connectors" at the end of this catalog.
- * Contact JST for details.

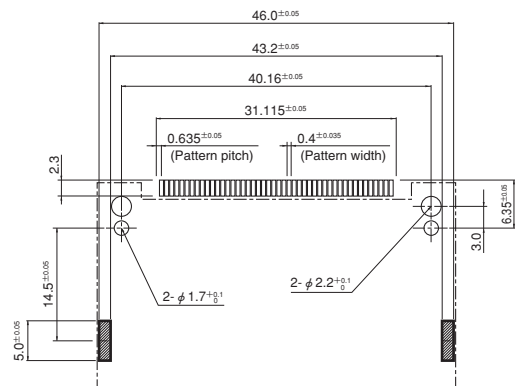
In addition to the connectors applicable to CF type I cards, those for CF type II cards are also available.

PC board layout (viewed from component side)

For Type I cards/Stand off 0mm
Normal type/Reverse type

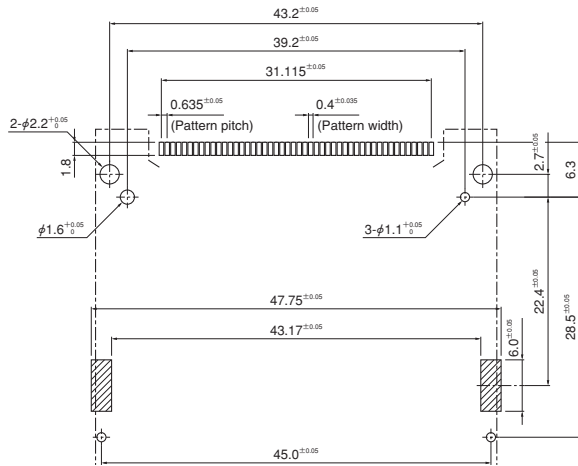


For Type I cards/Stand off 1.64mm
Normal type/Reverse type

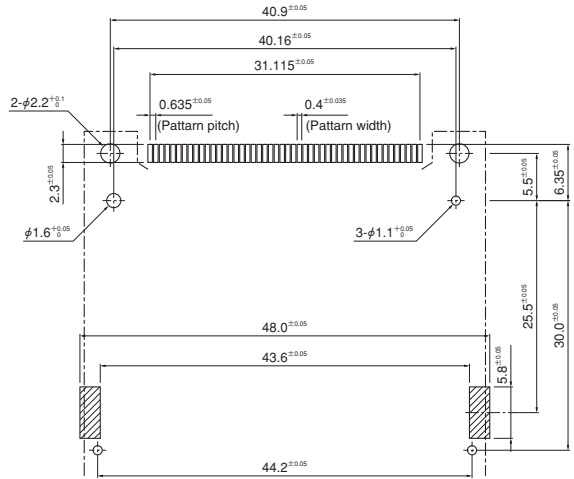


CF CARD CONNECTOR MA Type

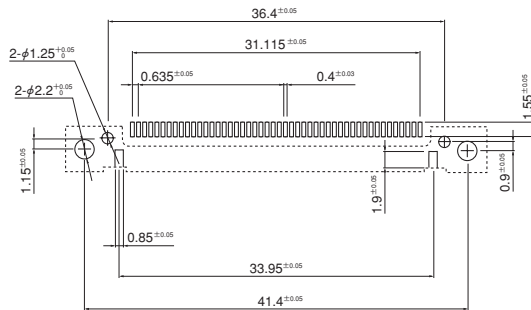
For Type II cards/Stand off 0mm
Normal type



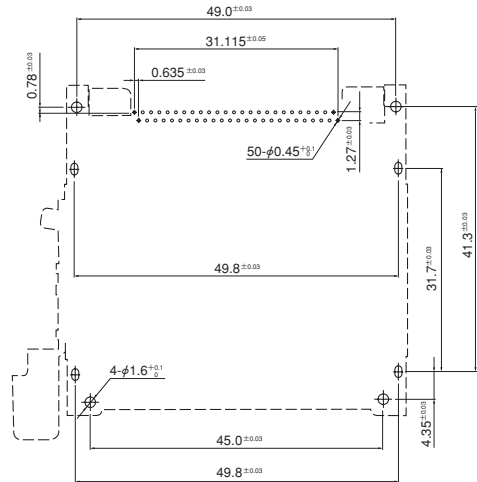
Reverse type



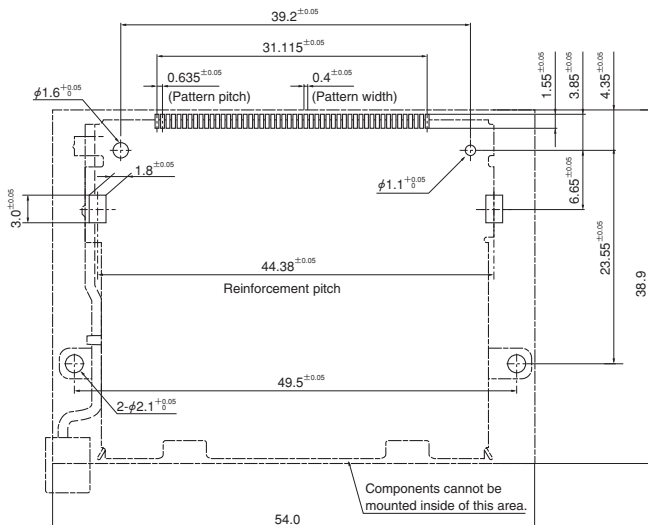
Space-saving type For Type I cards/Stand off 0mm
Normal type/Reverse type



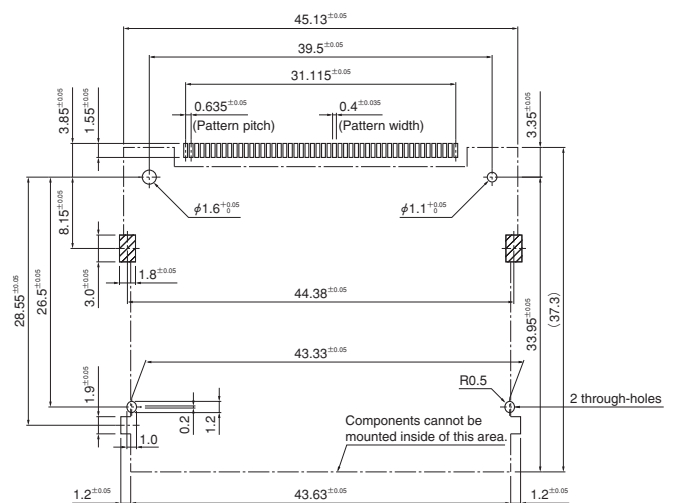
Ejector mounted header with shutter For Type II cards
Reverse type (Stand off 0mm)



Space-saving type For Type II cards/Stand off 0mm
Normal type



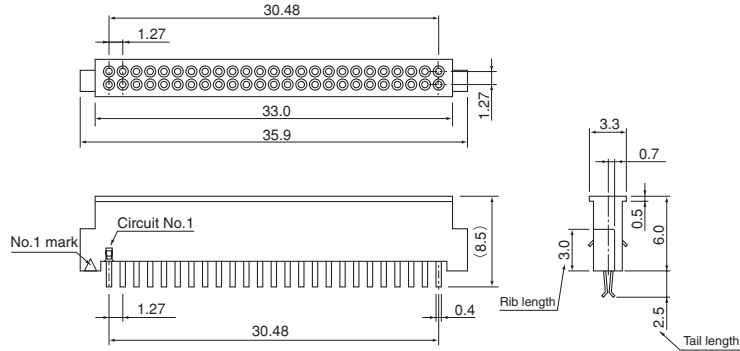
Reverse type



CF CARD CONNECTOR MA Type

Socket

Dual-row straddle type

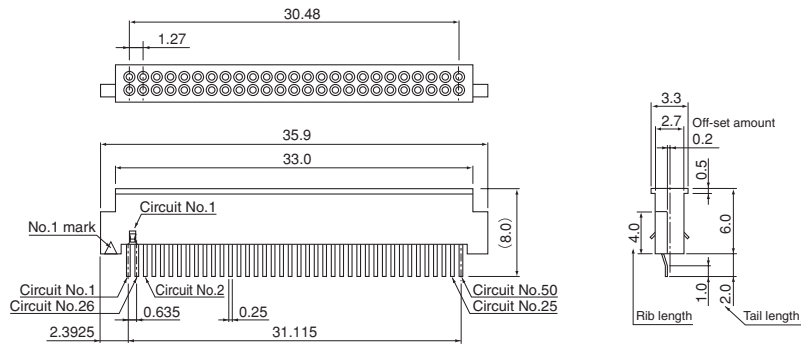


Circuits	Solder tail	Grounding spring	Off-set dimension	Rib length (mm)	Tail length (mm)	Model No.	Qty/box	Material and Finish
50	Dual-row straddle type	With (Circuit No.1, No.26)	Center	3.0mm	2.5mm	ICM-MA50S-TS12-3032	600	Contact: Copper-alloy, nickel-undercoated, Mating part; gold-plated Solder tail; tin-plated (reflow treatment) Grounding spring: Copper alloy nickel-undercoated, gold-plated Housing: LCP, UL94V-0, black

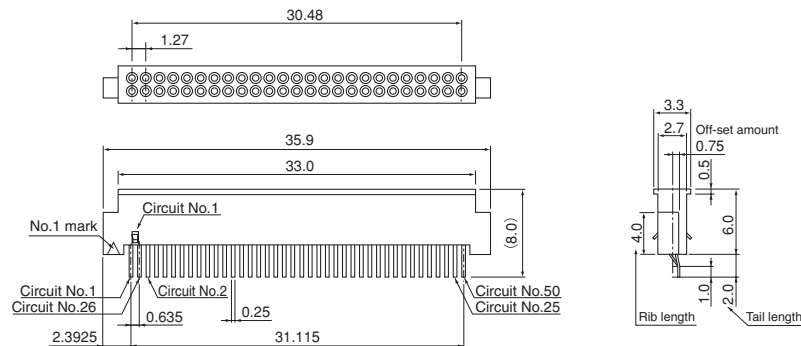
RoHS compliance This product displays (LF)(SN) on a label.

SMT type

ICM-MA50S-TS12-3021



ICM-MA50S-TS12-3022

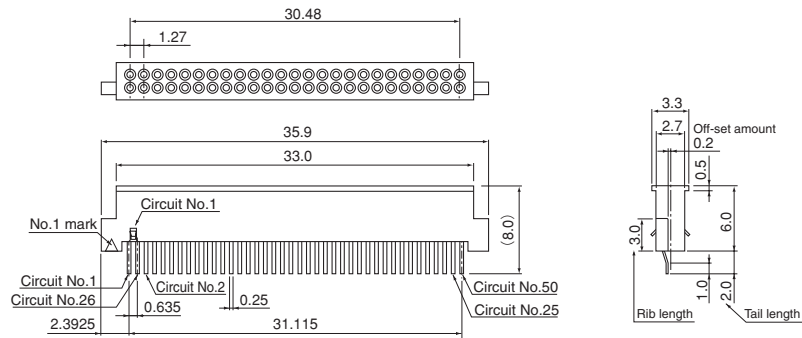


CF CARD CONNECTOR MA Type

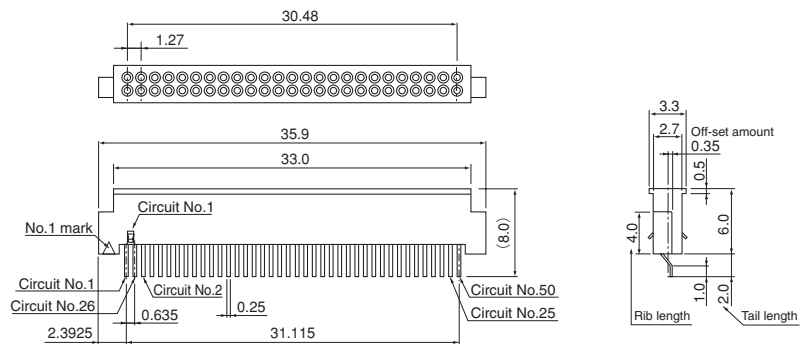
Socket

SMT type

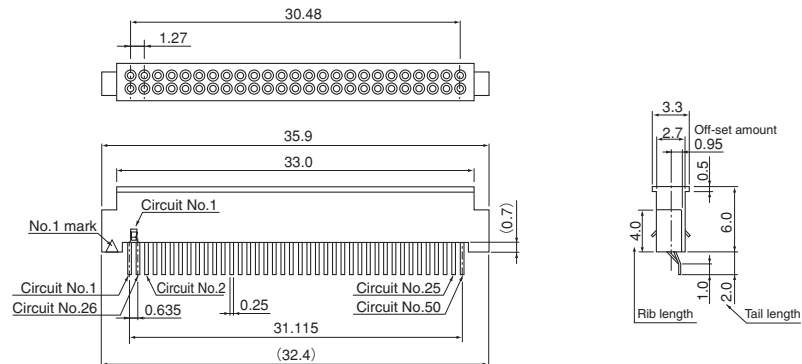
ICM-MA50S-TS12-3023



ICM-MA50S-TS12-3024



ICM-MA50S-TS12-3026



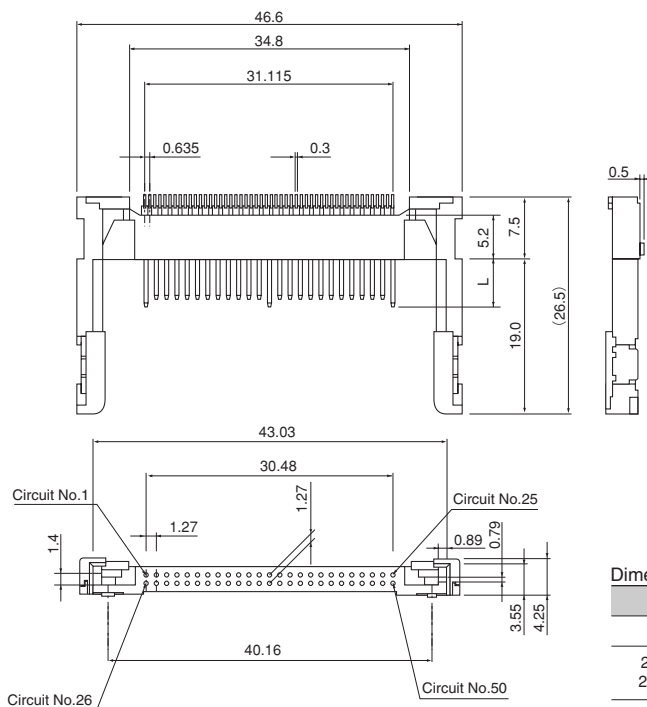
Circuits	Solder tail	Grounding spring	Off-set dimension (mm)	Rib length (mm)	Tail length (mm)	Model No.	Q'ty/reel	Material and Finish
50	SMT type	With (Circuit No.1, No.26)	0.2mm	4.0mm	2.0mm	ICM-MA50S-TS12-3021T	1,500	Contact: Copper alloy, nickel-undercoated, Mating part: gold-plated Solder tail; tin-plated (reflow treatment) Grounding spring: Copper alloy, nickel-undercoated, gold-plated Housing: LCP, UL94V-0, black
			0.75mm	4.0mm	2.0mm	ICM-MA50S-TS12-3022T	1,500	
			0.2mm	3.0mm	2.0mm	ICM-MA50S-TS12-3023T	1,500	
			0.35mm	4.0mm	2.0mm	ICM-MA50S-TS12-3024T	1,500	
			0.95mm	4.0mm	2.0mm	ICM-MA50S-TS12-3026T	1,500	

RoHS compliance This product displays (LF)(SN) on a label.

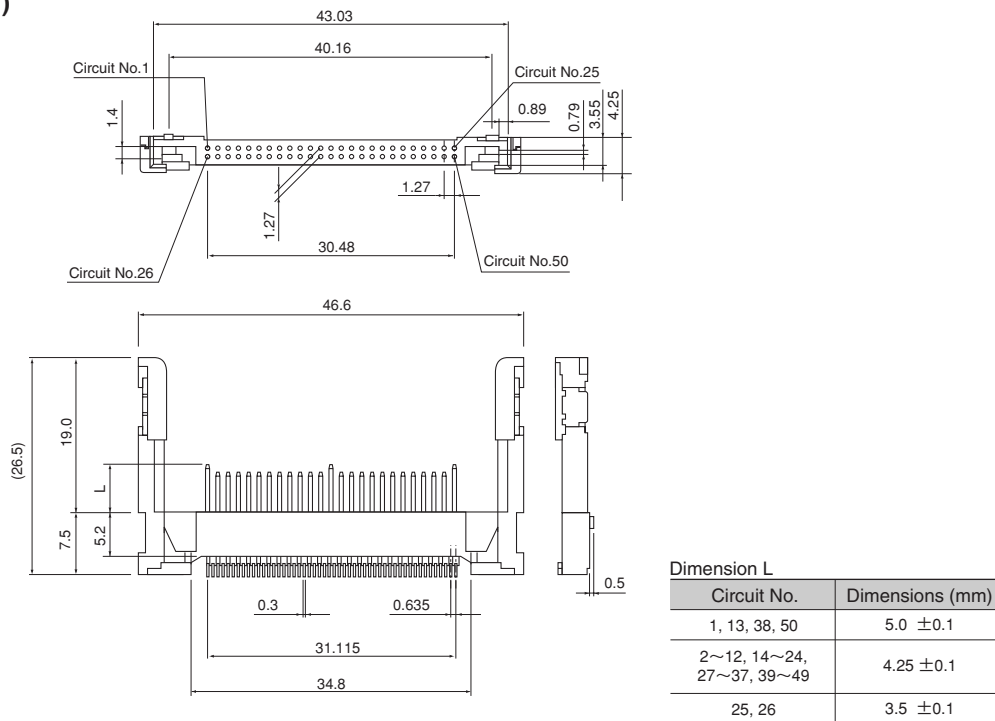
CF CARD CONNECTOR MA Type

Header (for Type I cards)

Normal type (Stand off 0mm)



Reverse type (Stand off 0mm)



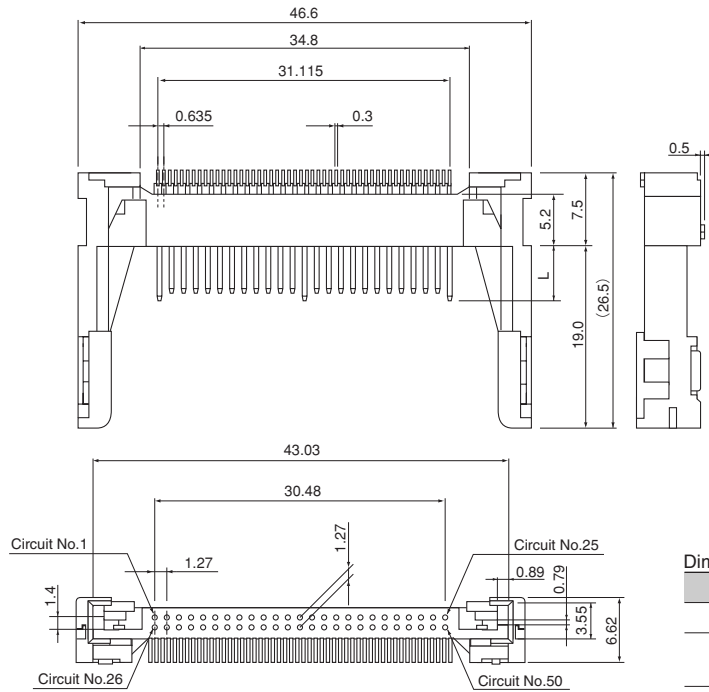
Circuits	Type	Model No.	Q'ty / box	Material and Finish
50	Normal	ICM-MA50H-SS52-1151	180	Contact: Phosphor bronze, nickel-undercoated, Mating part; gold-plated Solder tail; tin-plated (reflow treatment) Housing: PPS, UL94V-0 Solder tab: Brass, copper-undercoated, tin-plated (reflow treatment)
	Reverse	ICM-MA50H-SS52-1171	180	

RoHS compliance This product displays (LF)(SN) on a label.

CF CARD CONNECTOR MA Type

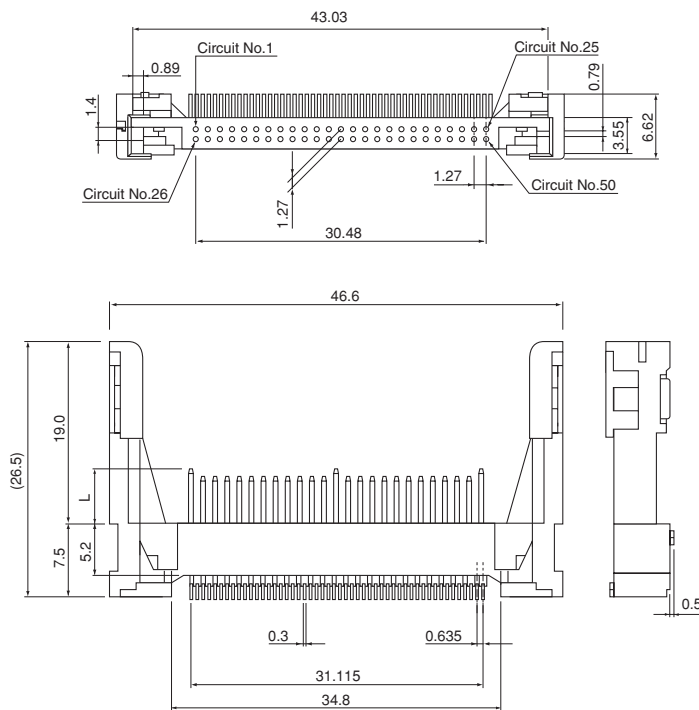
Header (for Type I cards)

Normal type (Stand off 1.64mm)



Dimension L	
Circuit No.	Dimensions (mm)
1, 13, 38, 50	5.0 ±0.1
2~12, 14~24, 27~37, 39~49	4.25 ±0.1
25, 26	3.5 ±0.1

Reverse type (Stand off 1.64mm)



Dimension L	
Circuit No.	Dimensions (mm)
1, 13, 38, 50	5.0 ±0.1
2~12, 14~24, 27~37, 39~49	4.25 ±0.1
25, 26	3.5 ±0.1

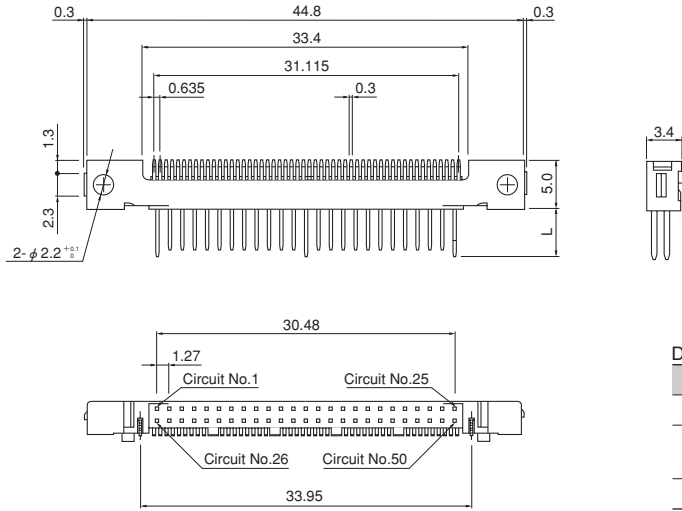
Circuits	Type	Model No.	Q'ty / box	Material and Finish
50	Normal	ICM-MA50H-SS52-1141	140	Contact: Phosphor bronze, nickel-undercoated, Mating part; gold-plated Solder tail; tin-plated (reflow treatment)
	Reverse	ICM-MA50H-SS52-1161	140	Housing: PPS, UL94V-0 Solder tab: Brass, copper-undercoated, tin-plated (reflow treatment)

RoHS compliance This product displays (LF)(SN) on a label.

CF CARD CONNECTOR MA Type

Header (for Type I cards) / Space-saving type

Normal , Reverse types
(Stand off 0mm)



Dimension L

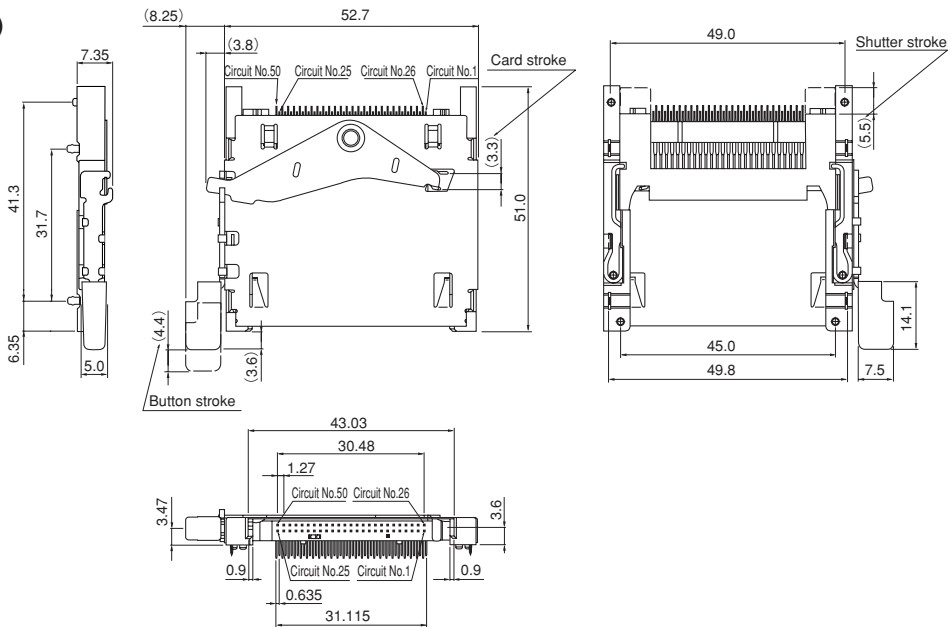
Circuit No.	Dimensions (mm)
1, 13, 38, 50	5.0 ±0.1
2~12, 14~24, 27~37, 39~49	4.25 ±0.1
25, 26	3.5 ±0.1

Circuits	Type	Model No.	Qty / box	Material and Finish
50	Normal Reverse	ICM-MA50H-SS52-1184	1,850	Contact: Copper alloy, nickel-undercoated, Mating part: gold-plated Solder tail: tin-plated (reflow treatment) Housing: PPS, UL94V-0, black Solder tab: Copper alloy, nickel-undercoated, tin-plated (reflow treatment)

RoHS compliance This product displays (LF)(SN) on a label.

Ejector mounted header with shutter (for Type II cards)

Reverse type
(Stand off 0mm)



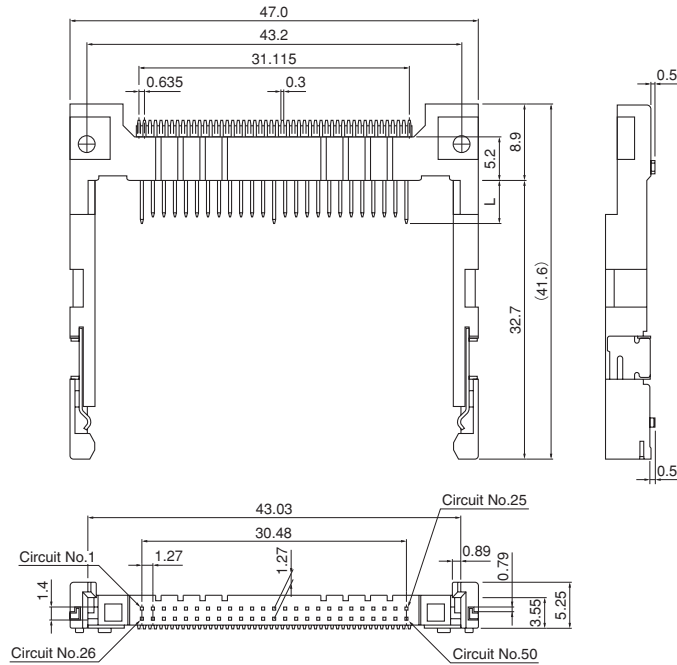
Circuits	Type	Model No.	Qty / box	Material and Finish
50	Reverse	ICM-MA2SL-SD12-RL31	128	Contact: Copper alloy, nickel-undercoated, Mating part: gold-plated Solder tail: tin-plated (reflow treatment) Housing/ Guide bar/ Push button: PPS, UL94V-0, black Lock/ Rotation arm/ Push bar: Stainless Frame: Stainless, selective nickel-undercoated, tin/copper alloy-plated

RoHS compliance This product displays (LF)(SN) on a label.

CF CARD CONNECTOR MA Type

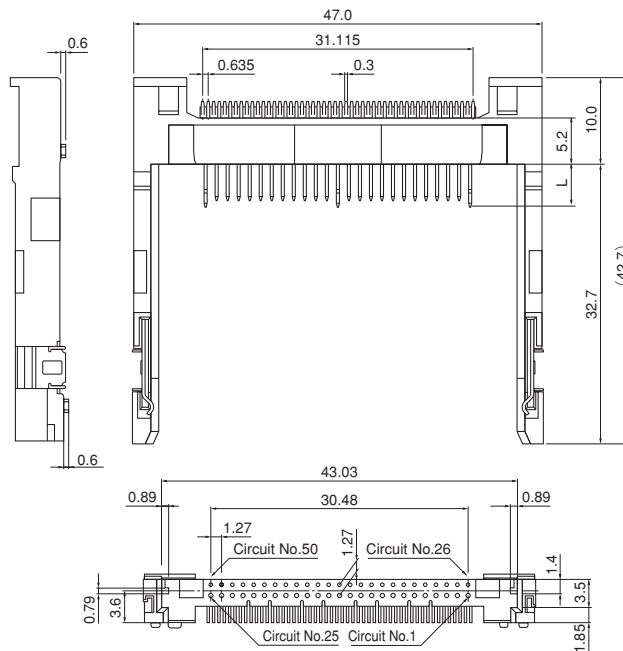
Header (for Type II cards)

Normal type (Stand off 0mm)



Dimension L	
Circuit No.	Dimensions (mm)
1, 13, 38, 50	5.0 ±0.1
2~12, 14~24, 27~37, 39~49	4.25 ±0.1
25, 26	3.5 ±0.1

Reverse type (Stand off 0mm)



Dimension L	
Circuit No.	Dimensions (mm)
1, 13, 38, 50	5.0 ±0.1
2~12, 14~24, 27~37, 39~49	4.25 ±0.1
25, 26	3.5 ±0.1

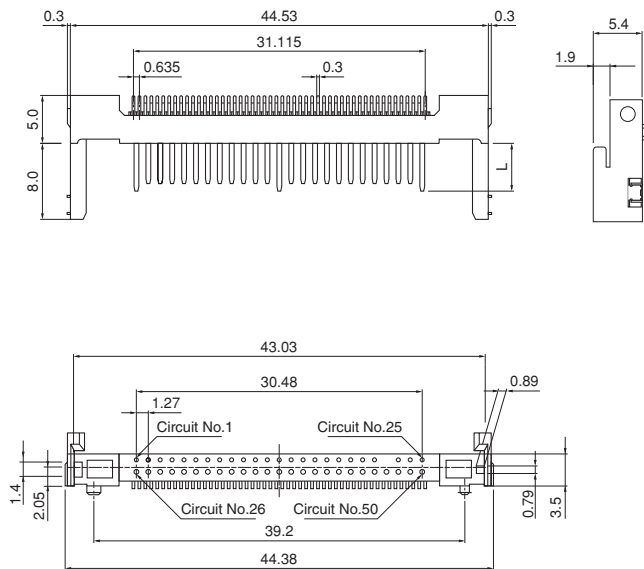
Circuits	Type	Model No.	Qty / box	Material and Finish
50	Normal	ICM-MA2H-SS52-N11B	84	Contact: Phosphor bronze, nickel-undercoated, Mating part; gold-plated Solder tail; tin-plated (reflow treatment) Housing: PPS, UL94V-0, black Solder tab: Phosphor bronze, copper-undercoated, tin-plated (reflow treatment)
	Reverse	ICM-MA2H-SS52-R21A	84	Contact: Phosphor bronze, nickel-undercoated, Mating part; gold-plated Solder tail; tin-plated (reflow treatment) Housing: LCP, UL94V-0, black Solder tab: Phosphor bronze, copper-undercoated, tin-plated (reflow treatment)

RoHS compliance This product displays (LF)(SN) on a label.

CF CARD CONNECTOR MA Type

Header (for Type II cards) / Space-saving type

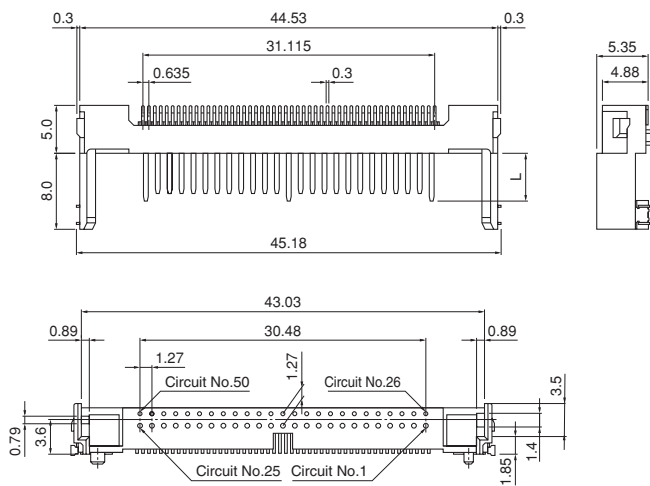
Normal type (Stand off 0mm)



Dimension L

Circuit No.	Dimensions (mm)
1, 13, 38, 50	5.0 ±0.1
2~12, 14~24, 27~37, 39~49	4.25 ±0.1
25, 26	3.5 ±0.1

Reverse type (Stand off 0mm)



Dimension L

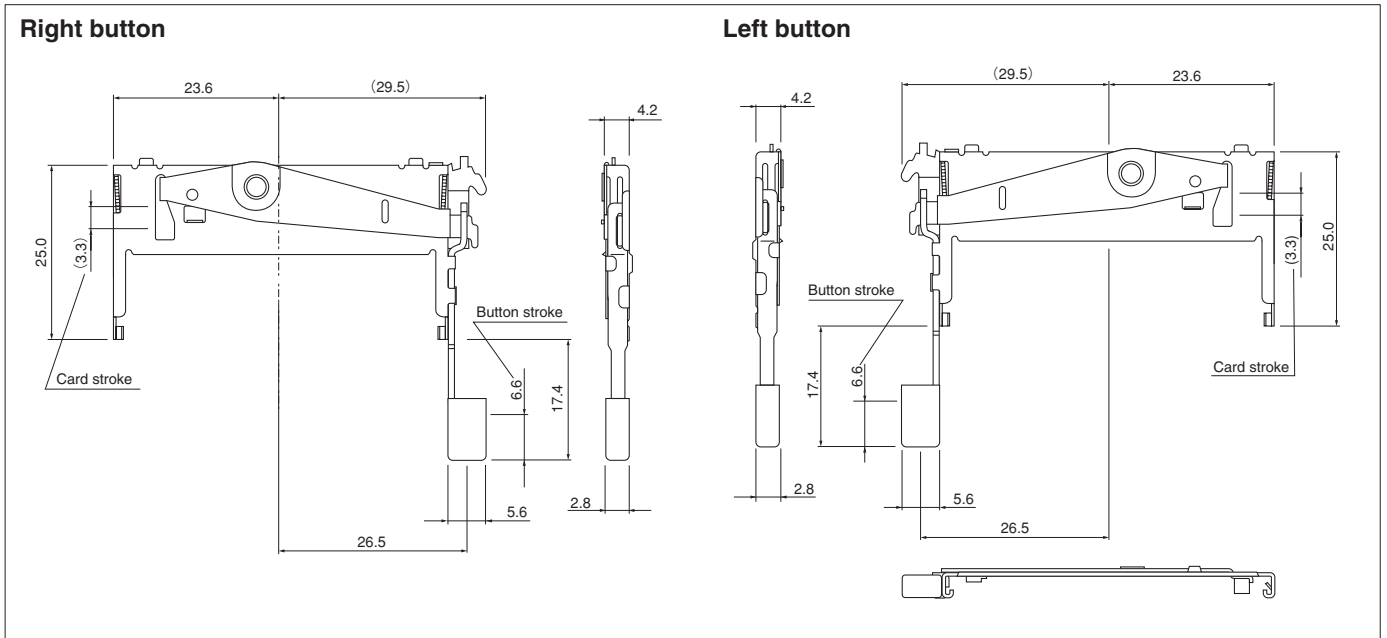
Circuit No.	Dimensions (mm)
1, 13, 38, 50	5.0 ±0.1
2~12, 14~24, 27~37, 39~49	4.25 ±0.1
25, 26	3.5 ±0.1

Circuits	Type	Model No.	Q'ty / reel	Material and Finish
50	Normal	ICM-MA2H-SS52-N13LT	750	Contact: Phosphor bronze, nickel-undercoated, Mating part: gold-plated Solder tail; tin-plated (reflow treatment)
	Reverse	ICM-MA2H-SS52-R13HT	750	Housing: PPS, UL94V-0 Solder tab: Brass, copper-undercoated, tin-plated (reflow treatment)

RoHS compliance This product displays (LF)(SN) on a label.
This products listed above are supplied on embossed-tape.

CF CARD CONNECTOR MA Type

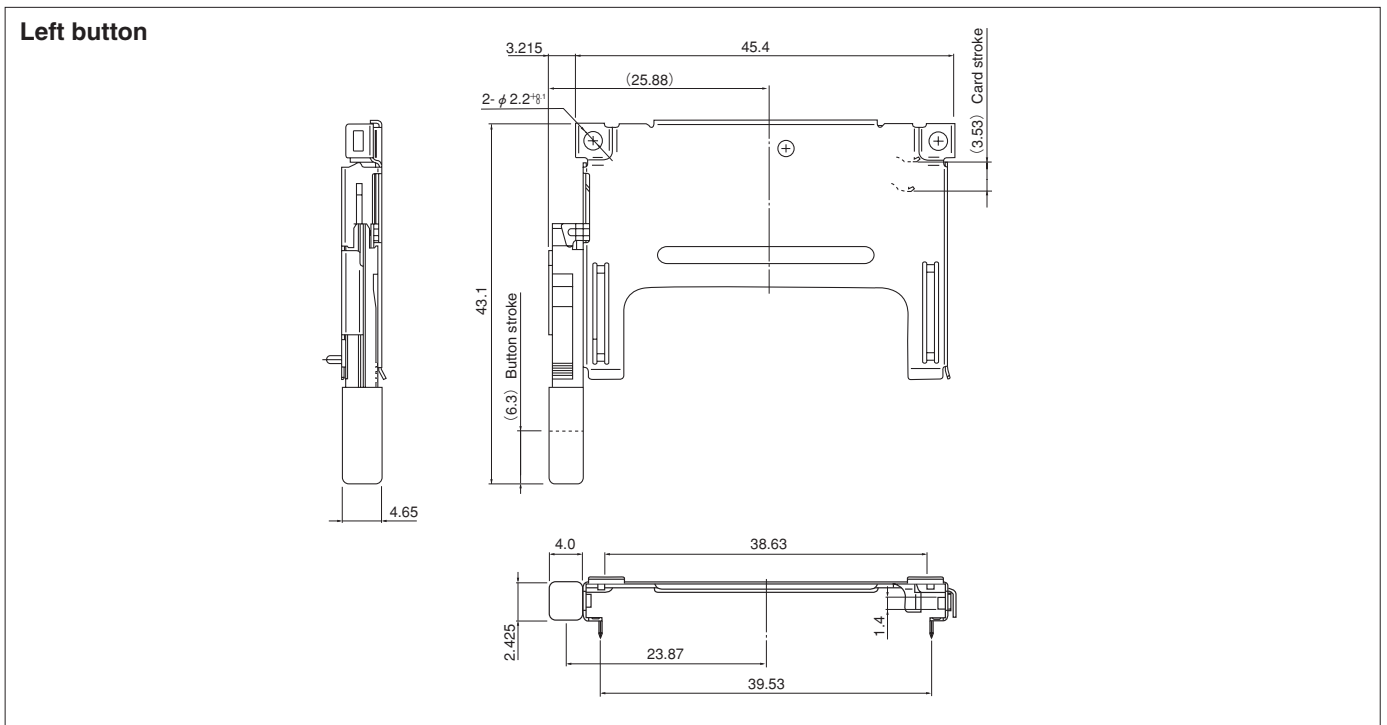
Ejector (for Type I Header)



Type	Model No.	Qty / box	Material	Applicable header
Right button	ICM-MAE-R01	100	Frame/ Rotation arm : Stainless Push button: PPS, UL94V-0, black	ICM-MA50H-SS52-1141 ICM-MA50H-SS52-1151 ICM-MA50H-SS52-1161 ICM-MA50H-SS52-1171
Left button	ICM-MAE-L01	100		

RoHS compliance Applicable headers display (LF)(SN) on a label.

Ejector mounted header (for Type I Header) / Space-saving type



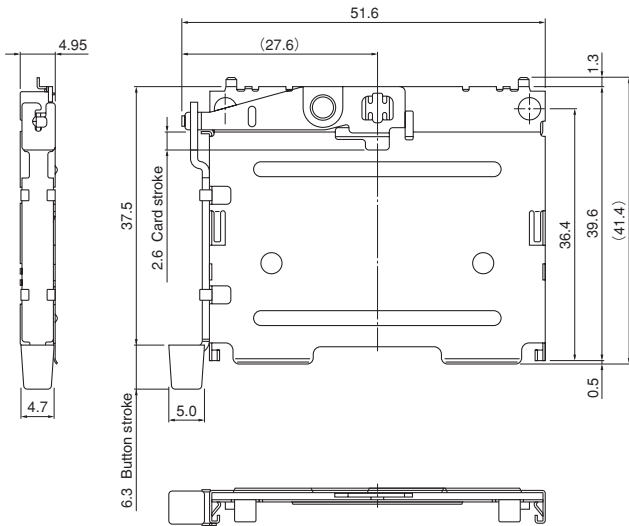
Type	Model No.	Qty / box	Material and Finish	Applicable header
Reverse (Left button)	ICM-MAE-L91ND	252	Frame: Stainless, nickel-undercoated, tin/copper alloy-plated Rotation arm: Stainless Push button: Synthetic resin, UL94V-0, gray	ICM-MA50H-SS52-1184

RoHS compliance This product displays (LF) on a label.
An applicable header displays (LF)(SN) on a label.

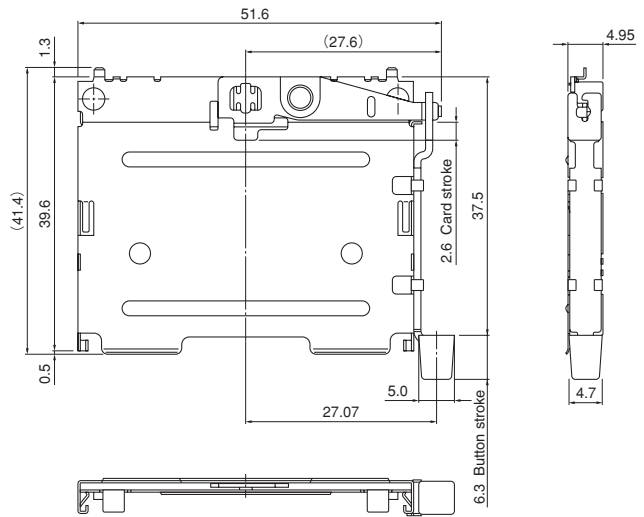
CF CARD CONNECTOR MA Type

Ejector (for Type II header)

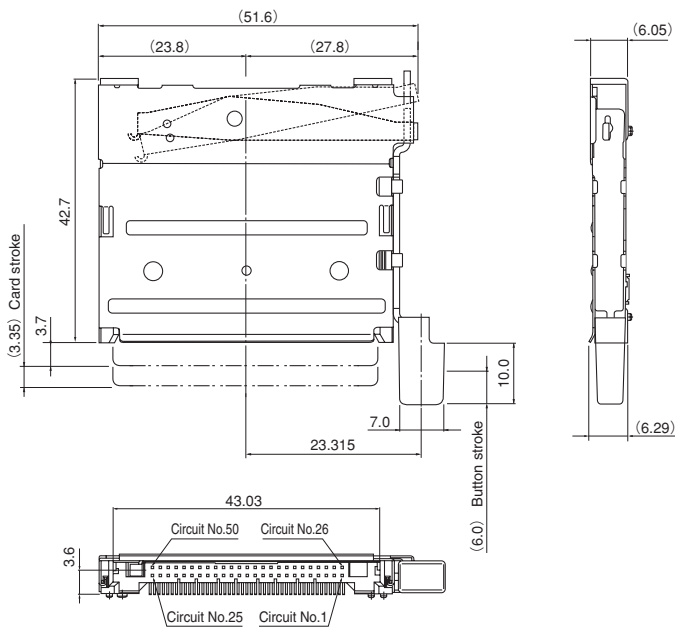
For Normal type header (Left button)



For Normal type header (Right button)



For Reverse type header (Right button)



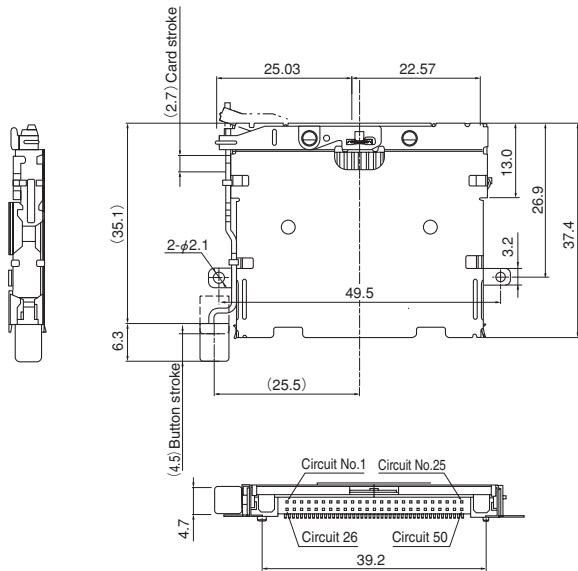
Type	Model No.	Qty / box	Material	Applicable header
For Normal type header (Left button)	ICM-MAE-L33	324	Frame/ Rotation arm/ Push bar/ Push plate/ Button shaft: Stainless Push button: PBT, UL94-0, black(R32), gray(L33)	ICM-MA2H-SS52-N11B
For Normal type header (Right button)	ICM-MAE-R32	324		
For Reverse type header (Right button)	ICM-MAE-R21A	48	Frame/ Rotation arm/ Push bar: Stainless Push button: PPS, UL94-0, black	ICM-MA2H-SS52-R21A

RoHS compliance ICM-MAE-L33/ICM-MAE-R32 display (N) on a label.
Applicable headers display (LF)(SN) on a label.

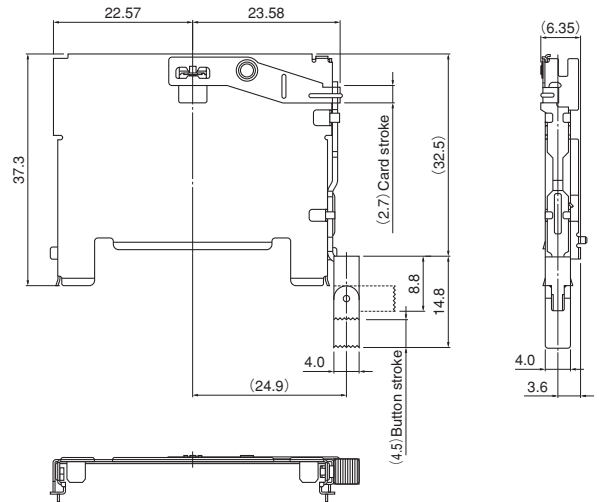
CF CARD CONNECTOR MA Type

Ejector (for Type II header) / Space-saving type

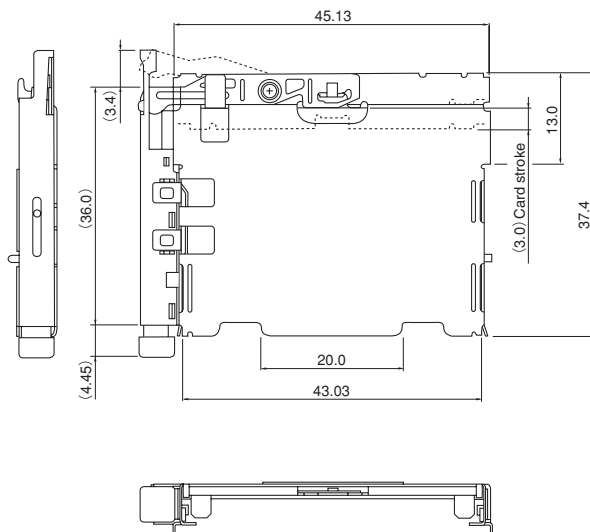
**For Normal type header
(Stand off 0mm) Left button**



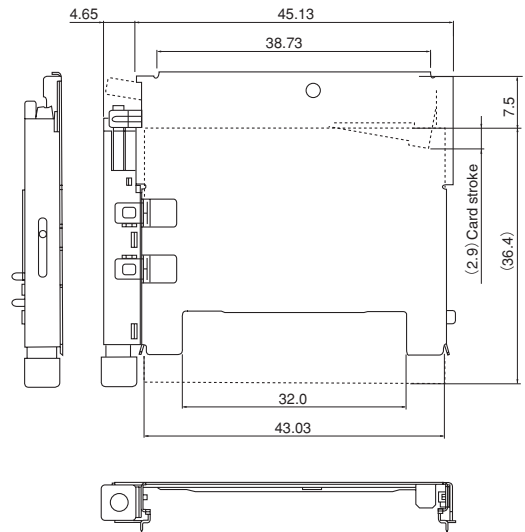
**For Reverse type header
(Stand off 0mm) Right button**



**For Normal type header
(Stand off 0mm) Left button/Push-push type**



**For Reverse type header
(Stand off 0mm) Left button/Push-push type**



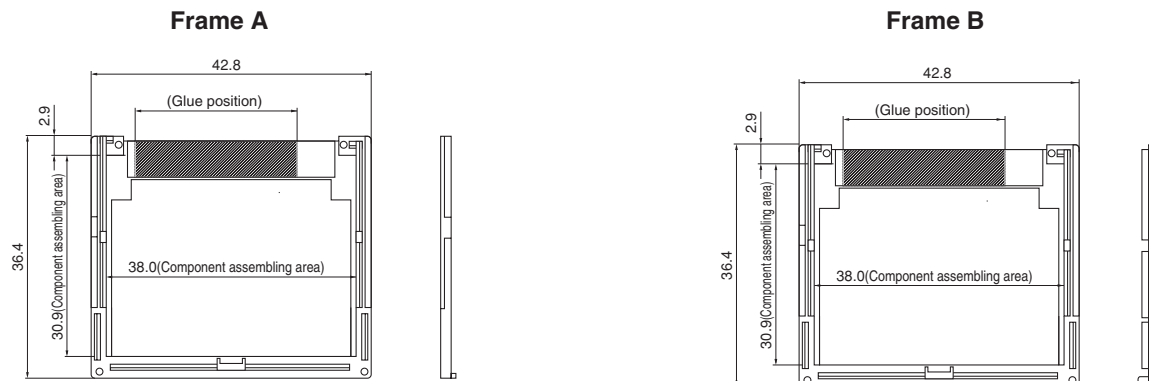
Type	Model No.	Q'ty / box	Material and Finish	Applicable header
For Normal type header (Stand off 0mm) Left button	ICM-MAE-L73FA	36	Rotation arm/Push bar/Push plate/ Frame: Stainless Button: PBT, UL94V-0, gray	ICM-MA2H-SS52-N13L ICM-MA2H-SS52-N13LT
For Normal type header (Stand off 0mm) Left button, Push-push	ICM-MA2EP-L520A	36	Rotation arm/Push plate: Stainless Button: PBT, UL94V-0, black Frame: Stainless, selective nickel-undercoated, tin/copper alloy-plated	
For Reverse type header (Stand off 0mm) Right button	ICM-MAE-R66C3	36	Rotation arm/Push bar/Push plate/ Frame: Stainless Clinched button: Synthetic resin, black Frame: Stainless, selective nickel-undercoated, tin/copper alloy-plated	ICM-MA2H-SS52-R13HT
For Reverse type header (Stand off 0mm) Left button, Push-push	ICM-MA2EP-L810E	36	Arm: Stainless Push button: Synthetic resin, UL94V-0, black Frame: Stainless, selective nickel-undercoated, tin/copper alloy-plated	

RoHS compliance ICM-MAE-R66C3 display (LF) on a label.
ICM-MA2EP-L520A/ICM-MA2EP-L810E display (LF) on a label.
Applicable headers display (LF)(SN) on a label.

CF CARD CONNECTOR MA Type

Card frame (for Type I cards)

ICM-MA50F-A/B-FB-C

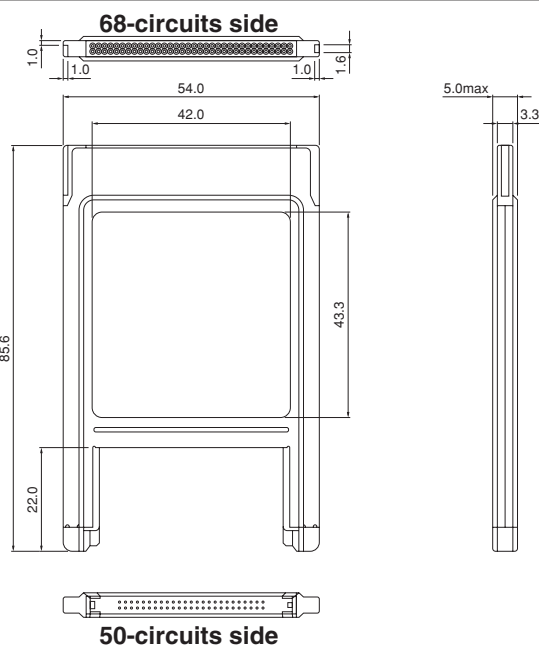


Circuits	Model No. as a set (Frame A + Frame B)	Applicable socket	Q'ty / box	Material
50	ICM-MA50F-A/B-FB-CA	ICM-MA50S-TS12-3032 ICM-MA50S-TS12-3023T	150	Frame: Glass-filled PBT, UL94V-0 Cover: Stainless

RoHS compliance

Adapter card

For CF Type I cards (PC card 5V key)



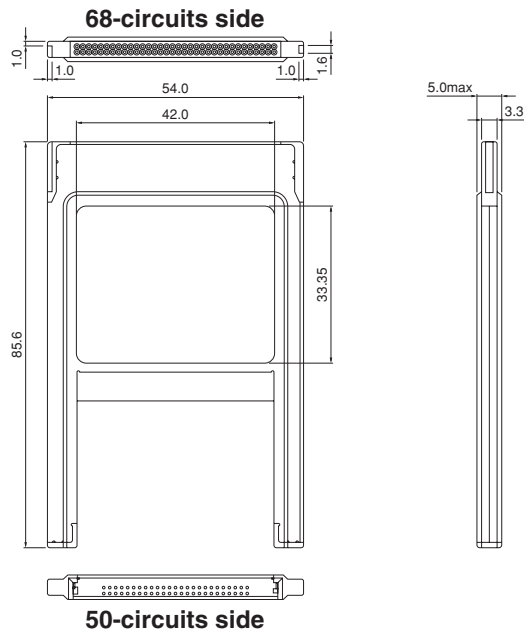
Model No.	Q'ty / box	Material and Finish		
ICM-MA50A-C441N	48	50-circuits side Header	Contact: Copper alloy, nickel-undercoated, Mating part: gold-plated Solder tail: tin-plated (reflow treatment) Housing: PPS, UL94V-0	Cover: Stainless Frame: PBT, UL94V-0 PC board: Glass-epoxy, UL94V-0
		68-circuits side Socket	Contact: Copper alloy, nickel-undercoated, Mating part: gold-plated Solder tail: tin-plated (reflow treatment) Housing: LCP, UL94V-0 Grounding spring: Copper alloy, nickel-undercoated, gold-plated	

RoHS compliance This product displays (LF)(SN) on a label.

CF CARD CONNECTOR MA Type

Adapter card

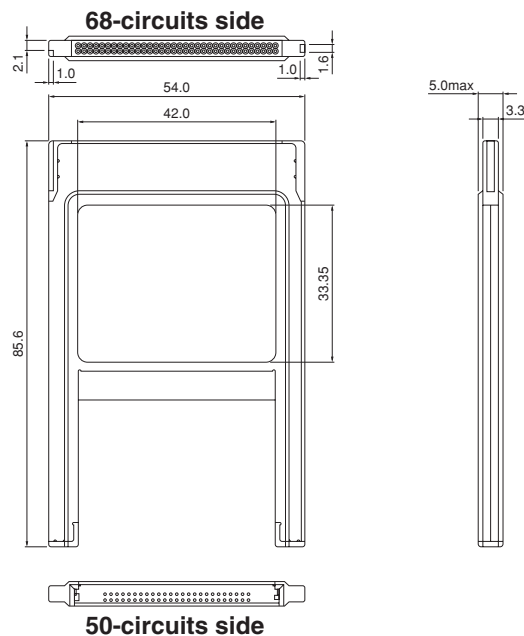
For CF Type II cards
(PC card 5V key
with grounding clip spring)



Model No.	Qty / box	Material and Finish	
ICM-MA2A-C454N	48	50-circuits side Header	Contact: Copper alloy, nickel-undercoated, Mating part; gold-plated Solder tail; tin-plated (reflow treatment) Housing: PPS, UL94V-0
		68-circuits side Socket	Contact: Copper alloy, nickel-undercoated, Mating part; gold-plated Solder tail; tin-plated (reflow treatment) Housing: LCP, UL94V-0 Grounding spring: Copper alloy, nickel-undercoated, gold-plated
		Cover: Stainless Frame: PBT, UL94V-0 PC board: Glass-epoxy, UL94V-0 Contact spring: Copper alloy Shutter: PPS, UL94V-0 Spring: Stainless Lock: Stainless	

RoHS compliance This product displays (LF)(SN) on a label.

For CF Type II cards
(PC card 3.3V key
with grounding clip spring)



Model No.	Qty / box	Material and Finish	
ICM-MA2A-CL454N	48	50-circuits side Header	Contact: Copper alloy, nickel-undercoated, Mating part; gold-plated Solder tail; tin-plated (reflow treatment) Housing: PPS, UL94V-0
		68-circuits side Socket	Contact: Copper alloy, nickel-undercoated, Mating part; gold-plated Solder tail; tin-plated (reflow treatment) Housing: LCP, UL94V-0 Grounding spring: Copper alloy, nickel-undercoated, gold-plated
		Cover: Stainless Frame: PBT, UL94V-0 PC board: Glass-epoxy, UL94V-0 Contact spring: Copper alloy Shutter: PPS, UL94V-0 Spring: Stainless Lock: Stainless	

RoHS compliance This product displays (LF)(SN) on a label.