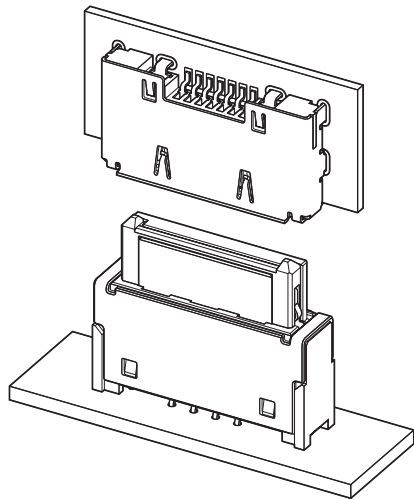


CRK CONNECTOR

0.8mm pitch/Board-to-board connectors



This connector is the ultra small connector with the shutter for cradles. This is suitable for using to the cradle of mobile equipments such as mobile phone, PDA and so on.

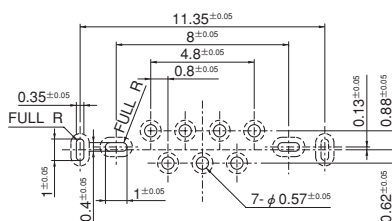
- Long life design
- High-speed transmission (For USB2.0)
- Signal line & Power supply line (Signal 7 circuits + Power supply 2 circuits)
- Space saving design

Specifications

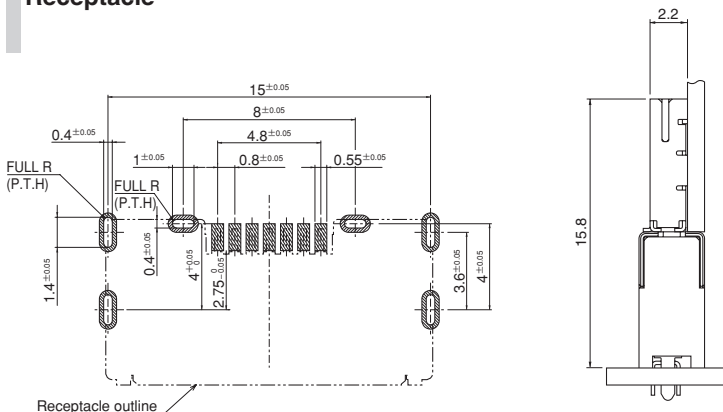
- Current rating: Signal contact/0.5A AC, DC
Power supply contact/2A AC, DC
- Voltage rating: Signal contact/30V AC, DC
Power supply contact/30V AC, DC
- Temperature range: -25°C to +85°C
(including temperature rise in applying electrical current)
- Contact resistance: Signal contact Initial value/70m Ω max.
After environmental testing/100m Ω max.
Power supply contact Initial value/20m Ω max.
After environmental testing/40m Ω max.
- Insulation resistance: 100M Ω min.
- Withstanding voltage: Signal contact 500V AC/minute
Power supply contact 500V AC/minute
- Applicable PC board thickness: Receptacle/0.7mm
Plug/1.0mm
- * Compliant with RoHS.
- * Refer to "General Instruction and Notice when using Terminals and Connectors" at the end of this catalog.
- * Contact JST for details.

PC board layout (viewed from component side) and Assembly layout

Plug



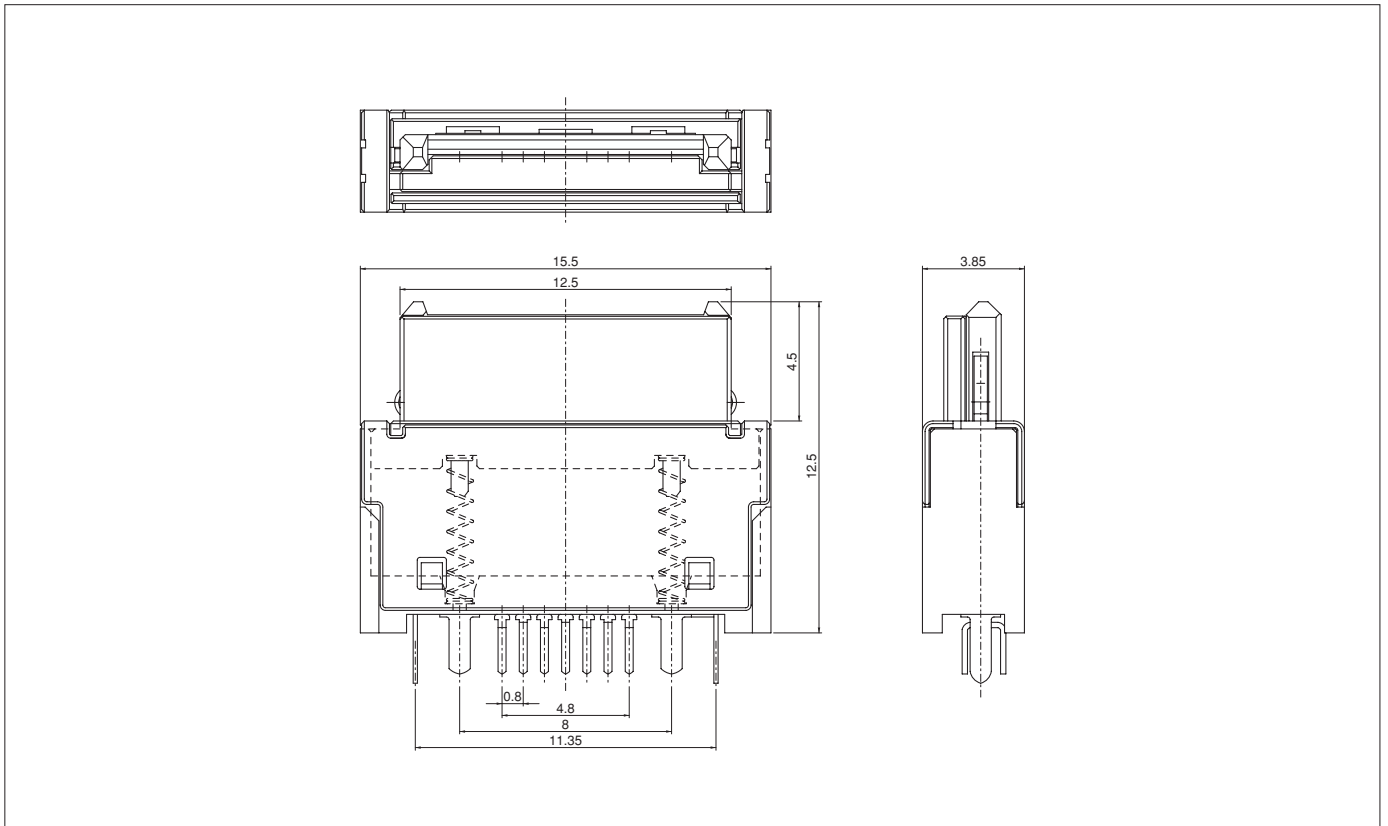
Receptacle



Note: 1. Tolerances for pierced hole pitch and pattern pitch are non-cumulative: ±0.05mm for all centers.
2. Hole dimensions differ according to the kind of PC board and piercing method.
The dimensions above should serve as a guideline. Contact JST for details.

CRK CONNECTOR

Plug



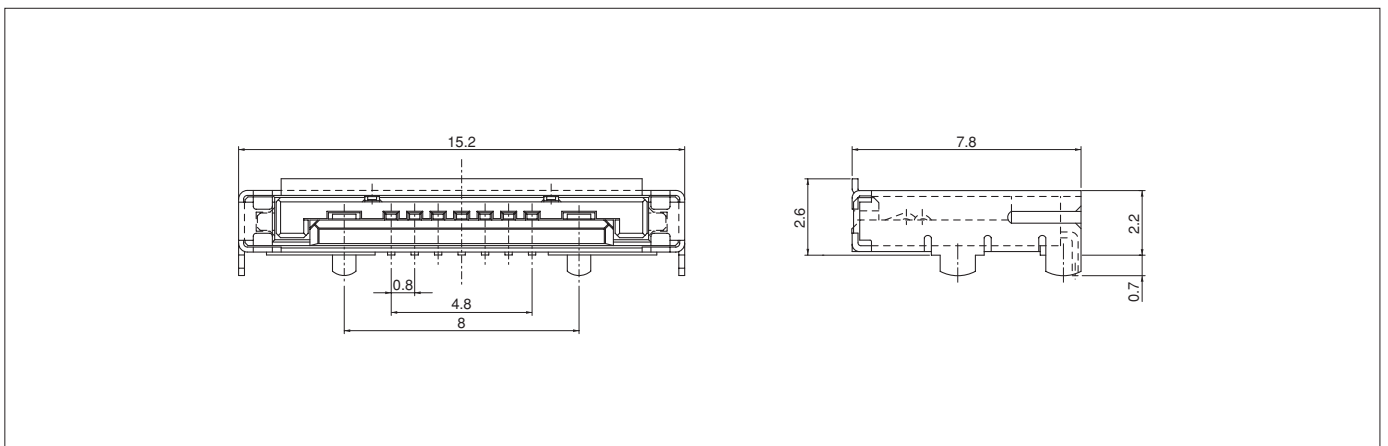
Circuits	Model No.	Q'ty / box
9	09PTD-CRK-GE	600

Material and Finish

Housing: Heat resisting resin, UL94V-0, black
 Contact: Copper alloy, nickel-undercoated, selective gold-plated
 Shell: Copper alloy, nickel-undercoated, tin-plated
 Shutter: Heat resisting resin, UL94V-0, black
 Cover shell: Copper alloy, tin-plated
 Spring: Stainless steel wire

RoHS compliance This product displays (LF) on a label.

Receptacle



Circuits	Model No.	Q'ty / box
9	09RSA-CRK-GE	1,800

Material and Finish

Housing: Heat resisting resin, UL94V-0
 Contact: Copper alloy, nickel-undercoated, selective gold-plated
 Shell: Copper alloy, nickel-undercoated, tin-plated
 Shutter: Heat resisting resin, UL94V-0
 Spring: Stainless steel wire

RoHS compliance This product displays (LF)(SN) on a label.