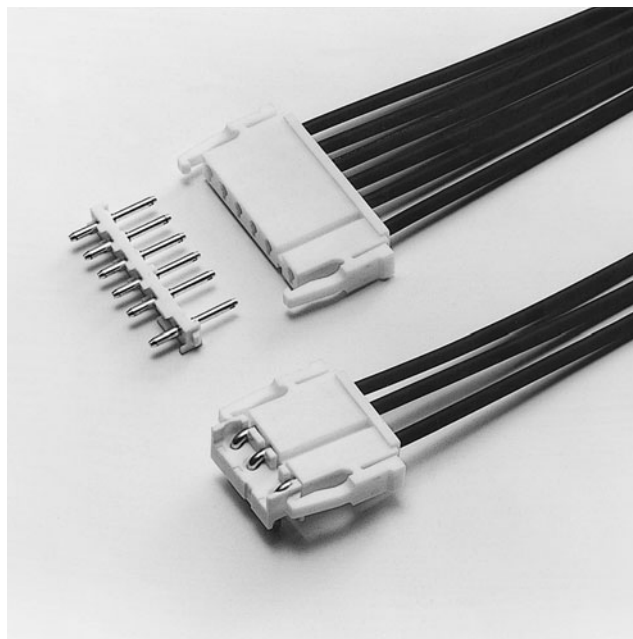
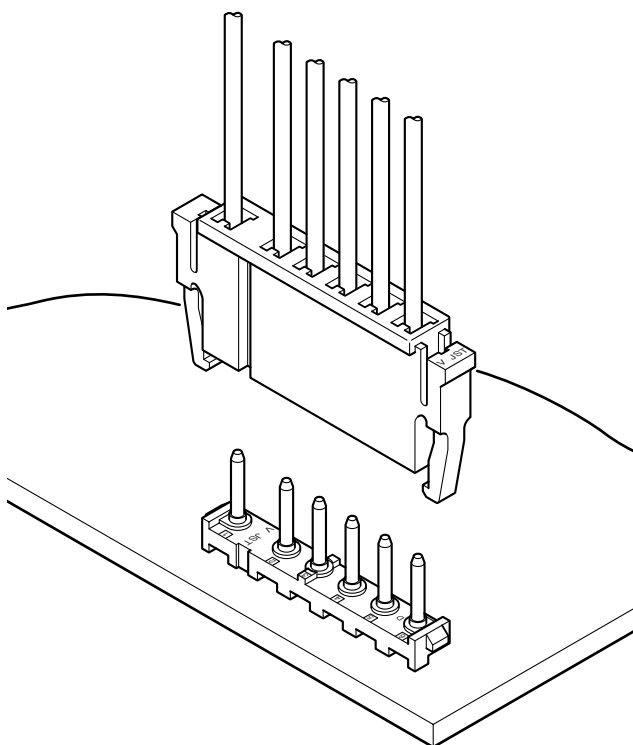


# DV CONNECTOR

Disconnectable Crimp style connectors



**One position has a different pitch than the others. This provides the connector with polarization and prevents misinsertion.**



## Features

### • **Secure mounting**

The housing lock feature secures the connector with the header, ensuring that a stable connection is maintained during vibration.

### • **Twin-beam contacts**

Each contact has two wiping areas, ensuring a stable and reliable connection.

### • **Housing lances**

The lances on the resilient housing ensure each insertion and secure locking of the contact into housing.

## Specifications

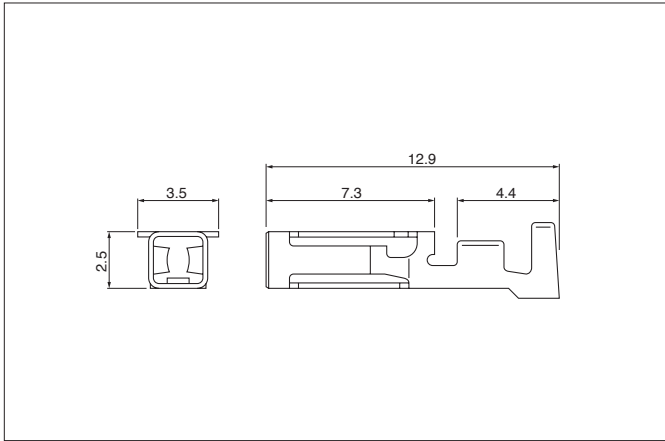
- Current rating: 5A AC, DC (AWG #20)
- Voltage rating: 250V AC, DC
- Temperature range: -25°C to +85°C  
(including temperature rise in applying electrical current)
- Contact resistance: Initial value/10m Ω max.  
After environmental testing/20m Ω max.
- Insulation resistance: 1,000M Ω min.
- Withstanding voltage: 1,500V AC/minute
- Applicable wire: AWG #24 to #20  
0.22 to 0.5mm<sup>2</sup>
- Applicable PC board thickness: 1.6mm
- \* RoHS compliant products are published.
- \* Temperature Range:  
The aforementioned temperature range of this connector is described in JST Standard Product Specification.
- \* Refer to "General Instruction and Notice when using Terminals and Connectors" at the end of this catalog.
- \* Contact JST for details.

## Standards

Recognized E60389

Certified LR20812

## Contact



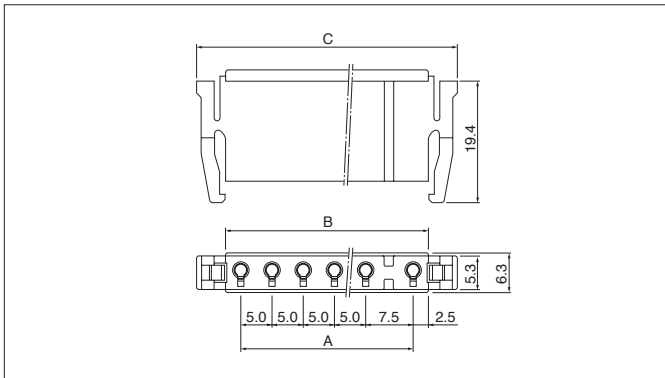
| Model No.              | Applicable wire |          |                      | Qty / reel |
|------------------------|-----------------|----------|----------------------|------------|
|                        | mm <sup>2</sup> | AWG #    | Insulation O.D. (mm) |            |
| <b>SDY-01T-P1.6ASV</b> | 0.22 to 0.5     | 24 to 20 | 1.5 to 2.7           | 6,000      |

### Material and Finish

Phosphor bronze, tin-plated (reflow treatment)

### RoHS compliance

## Housing



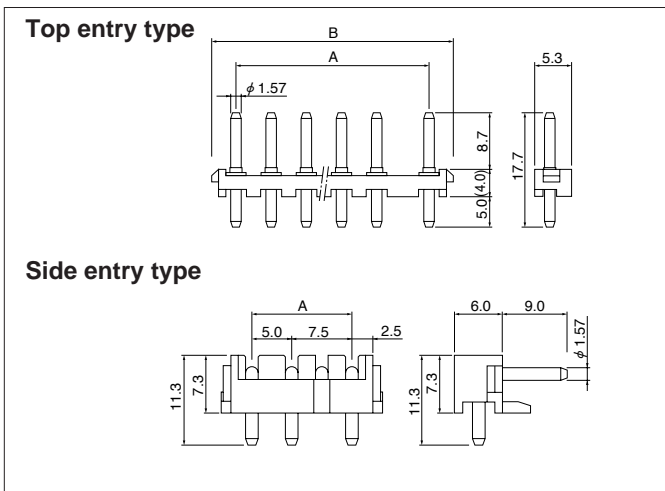
| Cir-cuits | Model No.        | Dimensions (mm) |      |      | Qty / bag |
|-----------|------------------|-----------------|------|------|-----------|
|           |                  | A               | B    | C    |           |
| 2         | <b>DVR-02V-S</b> | 7.5             | 12.5 | 21.7 | 500       |
| 3         | <b>DVR-03V-S</b> | 12.5            | 17.5 | 26.7 | 500       |
| 4         | <b>DVR-04V-S</b> | 17.5            | 22.5 | 31.7 | 500       |
| 5         | <b>DVR-05V-S</b> | 22.5            | 27.5 | 36.7 | 500       |
| 6         | <b>DVR-06V-S</b> | 27.5            | 32.5 | 41.7 | 500       |

### Material

PA 66, UL94V-0, natural (white)

### RoHS compliance

## Header



| Cir-cuits | Model No.         |                   | Dimensions (mm) |      | Qty / box      |                 |
|-----------|-------------------|-------------------|-----------------|------|----------------|-----------------|
|           | Top entry type    | Side entry type   | A               | B    | Top entry type | Side entry type |
| 2         | <b>B02B-DVS-L</b> | <b>S02B-DVS-L</b> | 7.5             | 12.5 | 500            | 250             |
| 3         | <b>B03B-DVS-L</b> | <b>S03B-DVS-L</b> | 12.5            | 17.5 | 500            | 250             |
| 4         | <b>B04B-DVS-L</b> | —                 | 17.5            | 22.5 | 250            | —               |
| 5         | <b>B05B-DVS-L</b> | —                 | 22.5            | 27.5 | 250            | —               |
| 6         | <b>B06B-DVS-L</b> | —                 | 27.5            | 32.5 | 200            | —               |

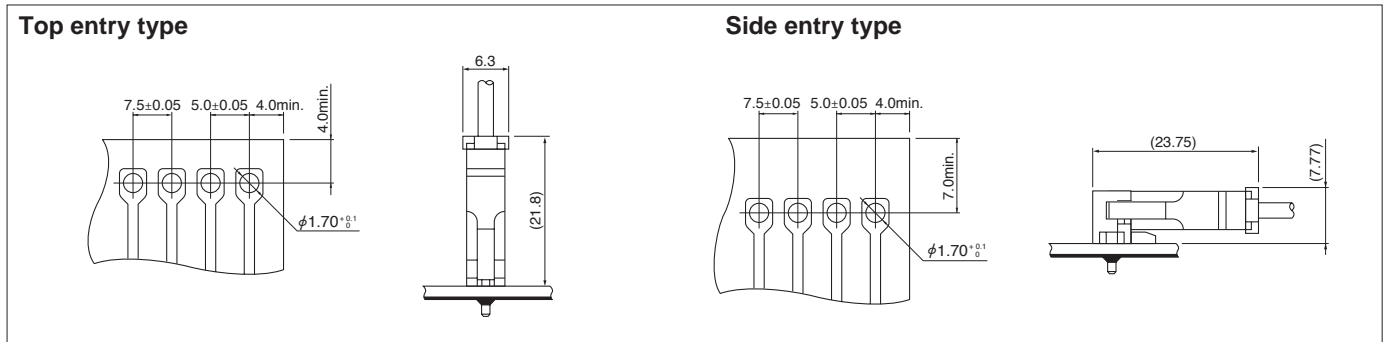
### Material and Finish

Pin: Brass, nickel-undercoated, tin/copper alloy-plated  
Wafer: Glass-filled PBT, UL94V-0, natural (white)

### RoHS compliance This product displays (LF) on a label.

# DV CONNECTOR

## PC board layout (viewed from soldering side) and Assembly layout



- Note:
1. Tolerances are non-cumulative:  $\pm 0.05\text{mm}$  for all centers.
  2. Hole dimensions differ according to the kind of PC board and piercing method.  
The dimensions above should serve as a guideline. Contact JST for details.

## Crimping machine, Applicator

| Contact         | Crimping machine | Crimp applicator | Dies           | Crimp applicator with dies |
|-----------------|------------------|------------------|----------------|----------------------------|
| SDY-01T-P1.6ASV | AP-K2N           | MKS-L            | MK/SDY-01-16AS | APLMK SDY01-16AS           |
|                 |                  | -                | -              | -                          |