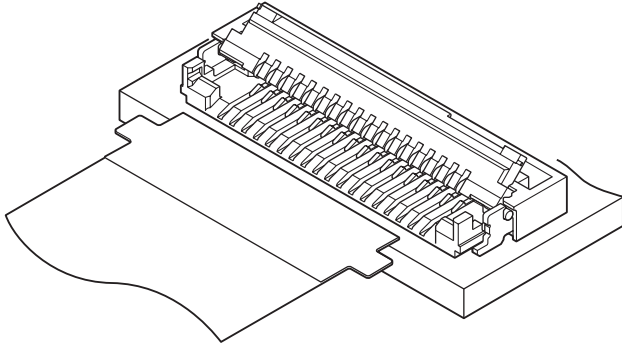


FHY CONNECTOR

0.5mm pitch/Connectors for FPC



The connector for the 0.3mm thickness FPC with a mounting height of 1.3mm. FPC with protrusion prevents incomplete insertion and mis-insertion, so that it provides reliable connection.

- A FPC with protrusion improves operability and reliability
- Reliable cover
- Self-lock mechanism enables the cover to close by one-touch operation

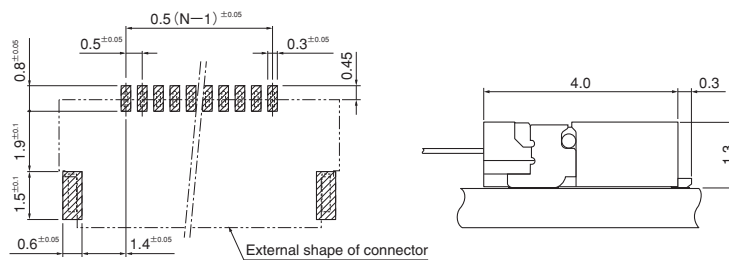
Specifications

- Current rating: 0.5A AC, DC
 - Voltage rating: 50V AC, DC
 - Temperature range: -25°C to +85°C
(including temperature rise in applying electrical current)
 - Contact resistance: Initial value/60m Ω max.
After environmental testing/60m Ω max.
(variation from initial value)
 - Insulation resistance: 500M Ω min.
 - Withstanding voltage: 200V AC/minute
 - Applicable FPC: Conductor pitch/0.5mm
Conductor width/0.35mm
Mating part thickness/0.3±0.03mm
- * Compliant with RoHS.
* Refer to "General Instruction and Notice when using Terminals and Connectors" at the end of this catalog.
* Contact JST for details.

Standards

Recognized E60389

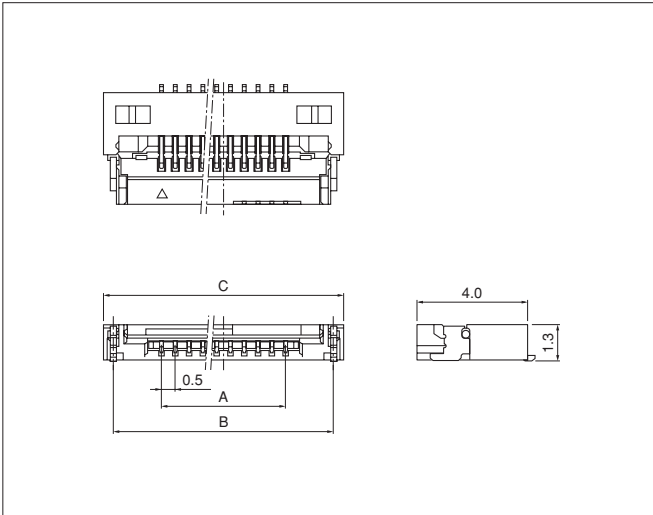
PC board layout (viewed from component side) and Assembly layout



- Note: 1. Tolerances are non-cumulative: ±0.05mm for all centers.
2. The dimensions above should serve as a guideline. Contact JST for details.
3. N --- Number of circuits

FHY CONNECTOR

Connector



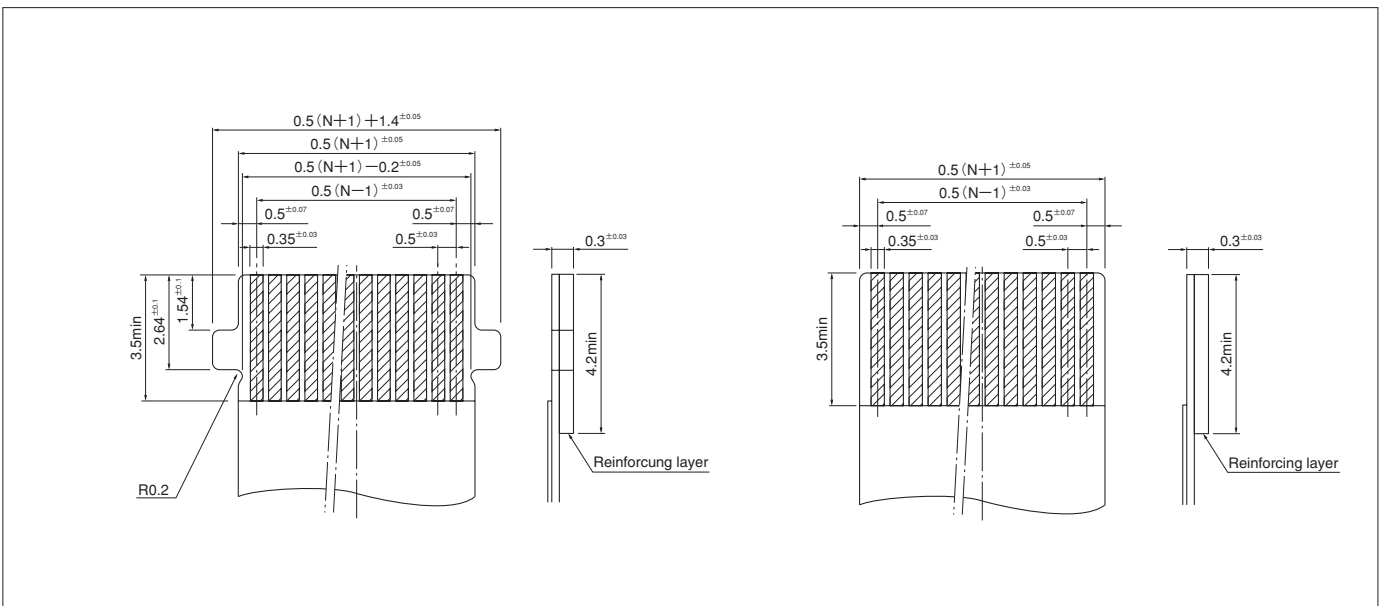
| Circuits | Model No. | Dimensions (mm) | | | Q'ty / reel |
|----------|-------------------|-----------------|------|------|-------------|
| | | A | B | C | |
| 10 | 10FHY-RSM1-GAN-TF | 4.5 | 8.0 | 8.7 | 3,000 |
| 18 | 18FHY-RSM1-GAN-TF | 8.5 | 12.0 | 12.7 | 3,000 |
| 28 | 28FHY-RSM1-GAN-TF | 13.5 | 17.0 | 17.7 | 3,000 |
| 30 | 30FHY-RSM1-GAN-TF | 14.5 | 18.0 | 18.7 | 3,000 |
| 35 | 35FHY-RSM1-GAN-TF | 17.0 | 20.5 | 21.2 | 3,000 |
| 40 | 40FHY-RSM1-GAN-TF | 19.5 | 23.0 | 23.7 | 3,000 |
| 50 | 50FHY-RSM1-GAN-TF | 24.5 | 28.0 | 28.7 | 3,000 |
| 60 | 60FHY-RSM1-GAN-TF | 29.5 | 33.0 | 33.7 | 3,000 |

Material and Finish

Contact: Copper alloy, nickel-undercoated, gold-plated (nickel-stripe)
Housing: Heat resisting resin, UL94V-0, natural
Solder tab: Copper alloy, copper-undercoated, tin-plated (reflow treatment)
Cover: Heat resisting resin, UL94V-0, black

RoHS compliance This product displays (LF)(SN) on a label.
Note: 1. This products listed above are supplied on embossed-tape.
2. Contact JST for tin-plated products.

Lead section dimensions of FPC



Note: N --- Number of circuits