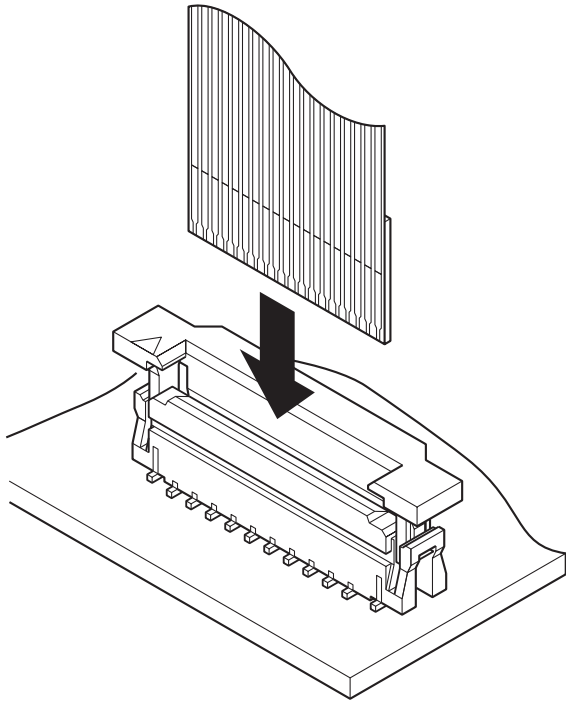




FLZT CONNECTOR

0.5mm pitch/Connectors for FPC



Vertical 0.5mm pitch ZIF type connector with staggered solder tails. Both normal type and reverse type are available.

- Zero insertion force mechanism
- Two types of connections
- Heat resisting design suitable for surface mounting

Specifications

- Current rating: 0.5A AC, DC
- Voltage rating: 50V AC, DC
- Temperature range: -25°C to +85°C
(including temperature rise in applying electrical current)
- Contact resistance: Initial value/20m Ω max.
After environmental testing/40m Ω max.
- Insulation resistance: 100M Ω min.
- Withstanding voltage: 200V AC/minute
- Applicable FPC: Conductor pitch/0.5mm
Conductor width/0.35mm
Mating part thickness/0.3±0.05mm

Note: FPC to be actually used should be checked for applicability.

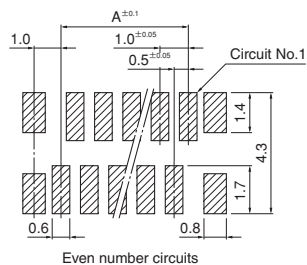
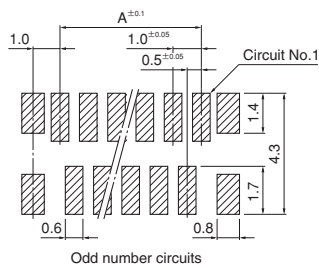
- * Compliant with RoHS.
- * Refer to "General Instruction and Notice when using Terminals and Connectors" at the end of this catalog.
- * Contact JST for details.

Standards

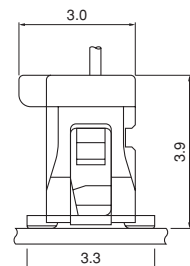
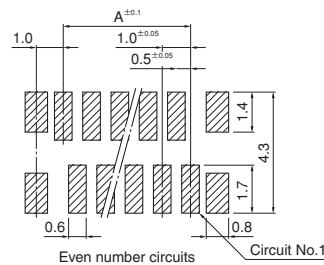
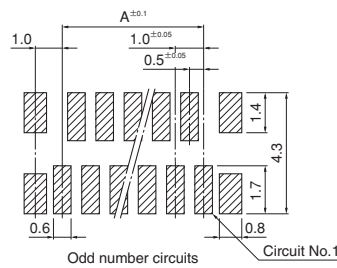
- Ⓜ Recognized E60389
- Ⓢ Certified LR20812

PC board layout (viewed from component side) and Assembly layout

Normal type



Reverse type

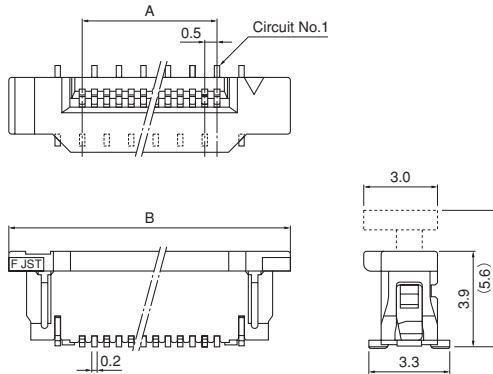


Note: 1. Tolerances are non-cumulative: ±0.05mm for all centers.
2. The dimensions above should serve as a guideline. Contact JST for details.

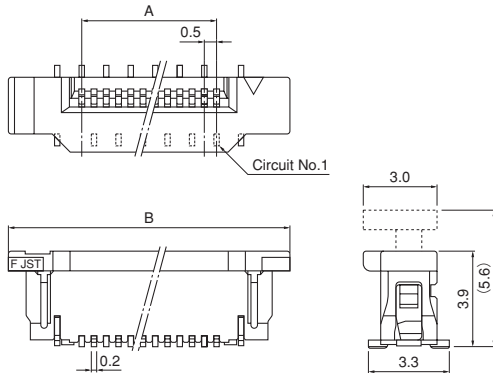
FLZT CONNECTOR

Connector

Normal type



Reverse type



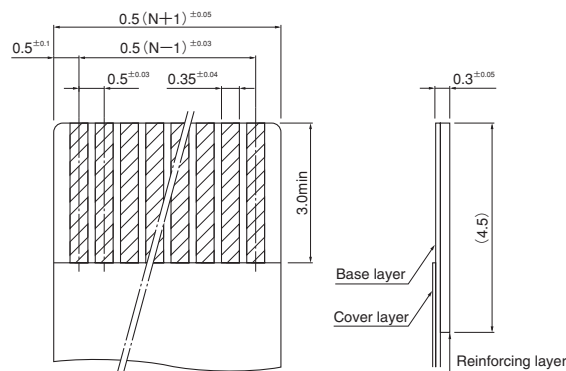
| Circuits | Model No. | | Dimensions (mm) | | Q'ty / reel |
|----------|---------------|----------------|-----------------|------|-------------|
| | Normal type | Reverse type | A | B | |
| 6 | 06FLZT-SM1-TF | 06FLZT-RSM1-TF | 2.5 | 8.5 | 1,500 |
| 8 | 08FLZT-SM1-TF | 08FLZT-RSM1-TF | 3.5 | 9.5 | 1,500 |
| 10 | 10FLZT-SM1-TF | 10FLZT-RSM1-TF | 4.5 | 10.5 | 1,500 |
| 12 | 12FLZT-SM1-TF | 12FLZT-RSM1-TF | 5.5 | 11.5 | 1,500 |
| 14 | 14FLZT-SM1-TF | 14FLZT-RSM1-TF | 6.5 | 12.5 | 1,500 |
| 15 | 15FLZT-SM1-TF | 15FLZT-RSM1-TF | 7.0 | 13.0 | 1,500 |
| 16 | 16FLZT-SM1-TF | 16FLZT-RSM1-TF | 7.5 | 13.5 | 1,500 |
| 20 | 20FLZT-SM1-TF | 20FLZT-RSM1-TF | 9.5 | 15.5 | 1,500 |
| 22 | 22FLZT-SM1-TF | 22FLZT-RSM1-TF | 10.5 | 16.5 | 1,500 |
| 24 | 24FLZT-SM1-TF | 24FLZT-RSM1-TF | 11.5 | 17.5 | 1,500 |
| 28 | 28FLZT-SM1-TF | 28FLZT-RSM1-TF | 13.5 | 19.5 | 1,500 |
| 30 | 30FLZT-SM1-TF | 30FLZT-RSM1-TF | 14.5 | 20.5 | 1,500 |
| 37 | 37FLZT-SM1-TF | 37FLZT-RSM1-TF | 18.0 | 24.0 | 1,500 |
| 40 | 40FLZT-SM1-TF | 40FLZT-RSM1-TF | 19.5 | 25.5 | 1,500 |
| 42 | 42FLZT-SM1-TF | 42FLZT-RSM1-TF | 20.5 | 26.5 | 1,500 |

Material and Finish

Contact: Phosphor bronze, copper-undercoated, tin-plated (reflow treatment)
 Slider housing: PPS, UL94V-0
 Normal type...natural (brown)
 Reverse type...black
 Housing: PPS, UL94V-0, natural
 Solder tab: Brass, copper-undercoated, tin-plated (reflow treatment)

RoHS compliance This product displays (LF)(SN) on a label.

Lead section dimensions of FPC



Note: N---Number of circuits