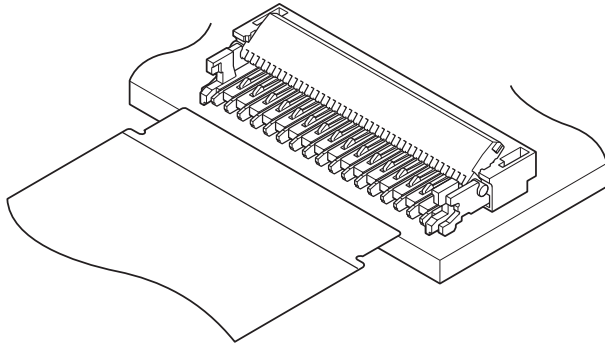




# FVXS CONNECTOR



0.2mm pitch/Connectors for FPC



**0.2mm pitch FVXS connector for FPC has been developed for small portable equipment for which low profile and miniaturization are required. Positioning of FPC is easily conducted by inserting FPC into connector until its shoulder touches to the transverse U-shape groove. This connector also has the structure that tension due to handling of FPC is absorbed by socket and reinforcing tab.**

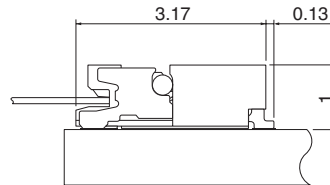
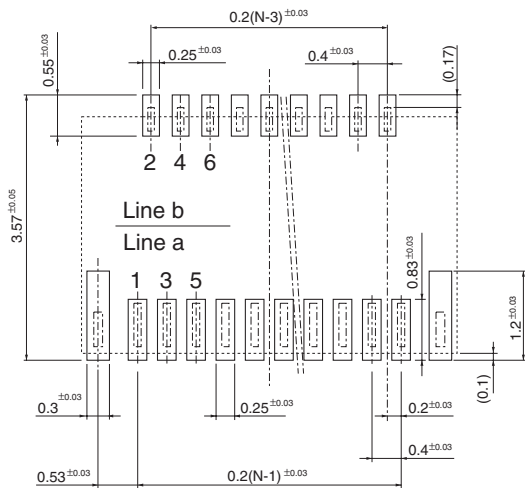
## Specifications

- Current rating: 0.2A AC, DC
  - Voltage rating: 50V AC, DC
  - Temperature range: -25°C to +85°C  
(including temperature rise in applying electrical current)
  - Contact resistance: Initial value/60mΩ max.  
After environmental testing/60mΩ max.  
(variation from initial value)
  - Insulation resistance: 50MΩ min.
  - Withstanding voltage: 200V AC/minute
  - Applicable FPC: Conductor pitch/0.2mm  
<0.4mm pitch staggered>  
Conductor width/0.2mm  
Mating part thickness/0.2±0.03mm
- \* Compliant with RoHS.  
\* Refer to "General Instruction and Notice when using Terminals and Connectors" at the end of this catalog.  
\* Contact JST for details.

## Standards

- Ⓜ Recognized E 60389
- Ⓢ Certified LR 20812

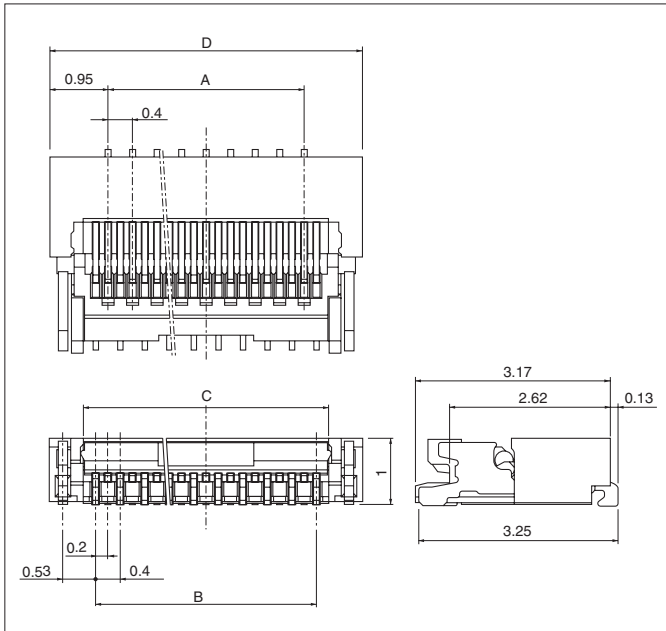
## PC board layout and Assembly layout



Note: N --- Number of circuits

# FVXS CONNECTOR

## Connector



Circuits	Model No.	Dimensions (mm)				Q'ty / reel
		A	B	C	D	
51	51FVXS-RSM1-GAN-TF	9.6	10.0	10.4	11.5	5,000

### Material and Finish

Socket housing: Heat resisting resin, UL94V-0

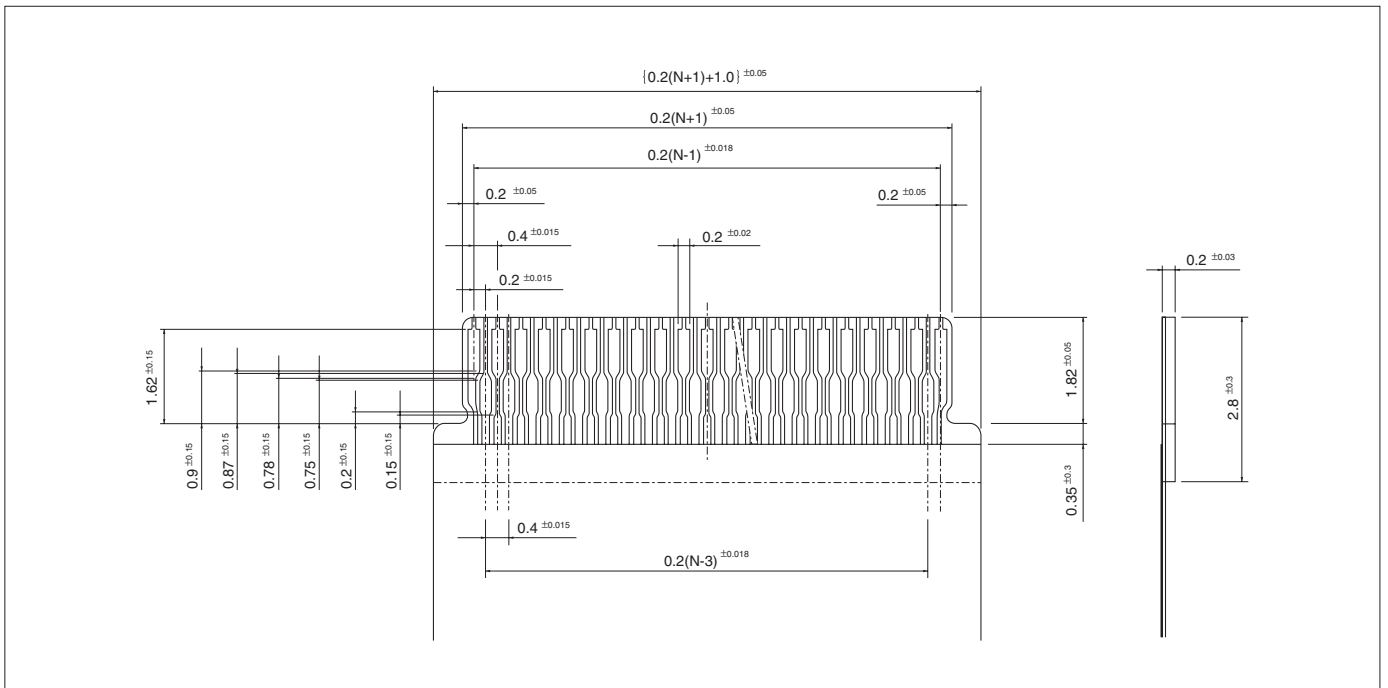
Cover housing: Heat resisting resin, UL94V-0

Contact: Copper alloy, nickel-undercoated, gold-plated (nickel-stripe)

Solder tab: Copper alloy, copper-undercoated, tin-plated (reflow treatment)

**RoHS compliance** This product displays (LF)(SN) on a label.

## Lead section dimensions of FPC



Note: N --- Number of circuits