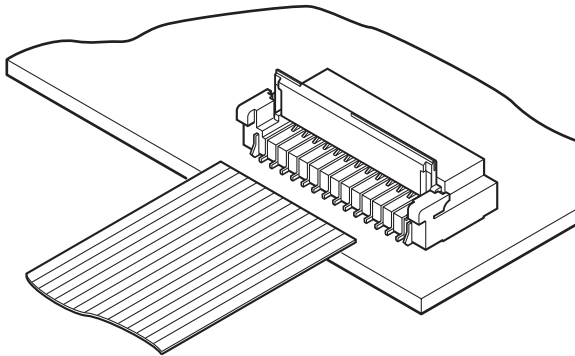


FX CONNECTOR

0.3mm pitch/Connectors for FPC



Non-ZIF type connector for FPC's, with only 2.25mm height when mounted on the PC board. Temporary retention mechanism and flip-lock device provide good operational efficiency.

- Good for high density mounting
- Heat resisting design suitable for surface mounting
- Easy mounting operation
- Embossed taping for automatic mounting

Specifications

- Current rating: 0.2A AC, DC
- Voltage rating: 50V AC, DC
- Temperature range: -25°C to +85°C
(including temperature rise in applying electrical current)
- Contact resistance: Initial value/50m Ω max.
After environmental testing/50m Ω max.
(variation from initial value)
- Insulation resistance: 50M Ω min.
- Withstanding voltage: 200V AC/minute
- Applicable FPC: Conductor pitch/0.3mm
<0.6mm pitch staggered>
Conductor width/0.3mm
Mating part thickness/0.2±0.03mm

Note: FPC to be actually used should be checked for applicability.

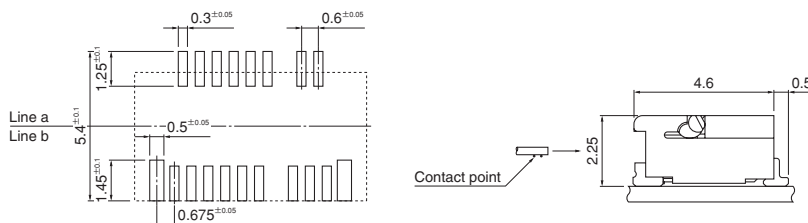
- * Compliant with RoHS.
- * Refer to "General Instruction and Notice when using Terminals and Connectors" at the end of this catalog.
- * Contact JST for details.

Standards

Recognized E60389

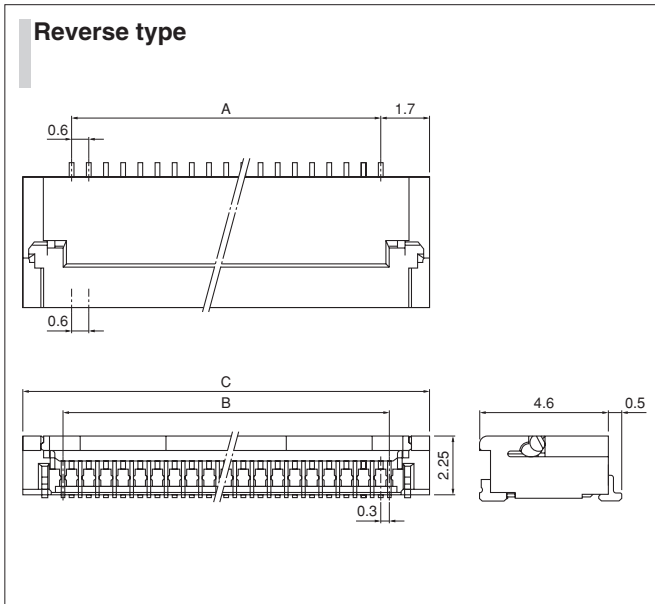
Certified LR20812

PC board layout (viewed from component side) and Assembly layout



- Note: 1. Tolerances are non-cumulative: ±0.05mm for all centers.
2. The dimensions above should serve as a guideline. Contact JST for details.

Connector



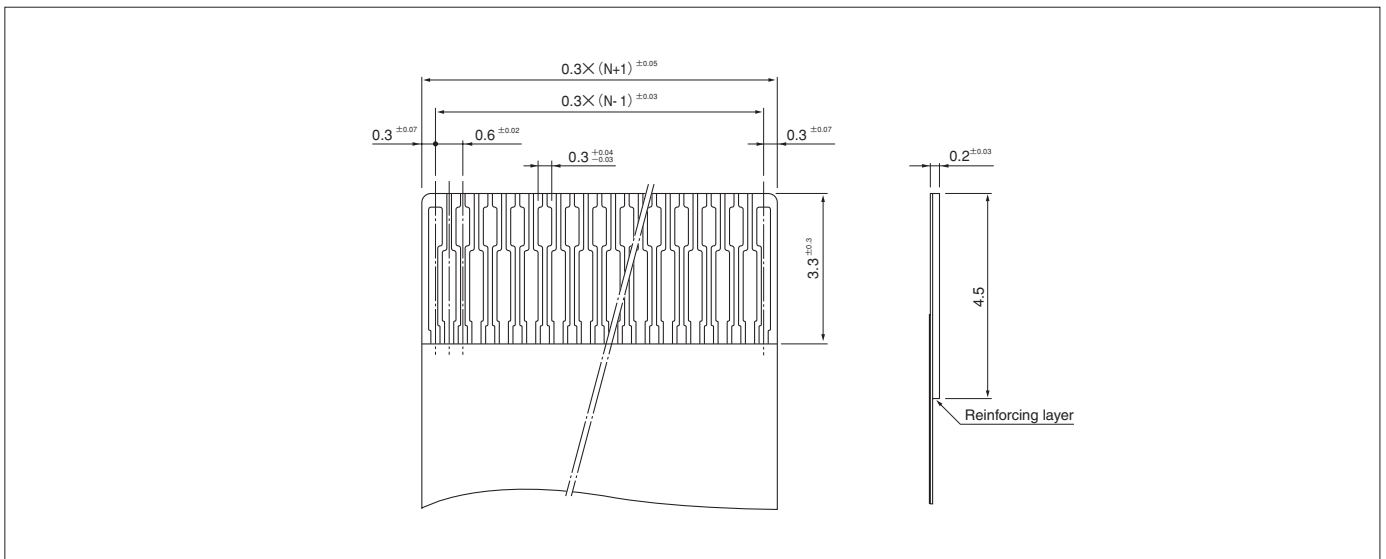
Circuits	Model No.	Dimensions (mm)			Q'ty / reel
		A	B	C	
15	15FX-RSM1-S-TB	3.6	4.2	7.0	3,000
21	21FX-RSM1-S-TB	5.4	6.0	8.8	3,000
23	23FX-RSM1-S-TB	6.0	6.6	9.4	3,000
25	25FX-RSM1-S-TB	6.6	7.2	10.0	3,000
27	27FX-RSM1-S-TB	7.2	7.8	10.6	3,000
33	33FX-RSM1-S-TB	9.0	9.6	12.4	3,000
39	39FX-RSM1-S-TB	10.8	11.4	14.2	3,000
45	45FX-RSM1-S-TB(12)	12.6	13.2	16.0	2,500
51	51FX-RSM1-S-TB	14.4	15.0	17.8	3,000
57	57FX-RSM1-S-TB	16.2	16.8	19.6	3,000

Material and Finish

Contact: Copper alloy, copper-undercoated, tin-plated (reflow treatment)
Housing: LCP, UL94V-0
Solder tab: Copper alloy, copper-undercoated, tin-plated (reflow treatment)
Cover: Heat-resisting polyamide, UL94V-0

RoHS compliance This product displays (LF)(SN) on a label.
Note: Contact JST for gold-plated products.

Lead section dimensions of FPC



Note: N--Number of circuits