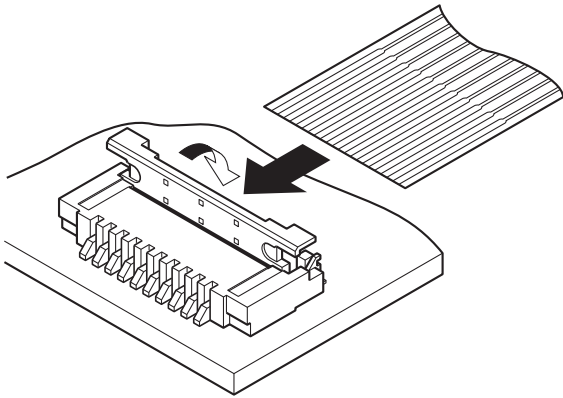


FXL CONNECTOR

0.3mm pitch/Connectors for FPC



0.3mm pitch non-ZIF flip lock type connector with 1.3mm low profile.

- 1.3mm height, low profile
- Optimum heat resistant material for surface mount

Specifications

- Current rating: 0.2A AC, DC
- Voltage rating: 50V AC, DC
- Temperature range: -25°C to +85°C
(including temperature rise in applying electrical current)
- Contact resistance: Initial value/50m Ω max.
After environmental testing/50m Ω max.
(variation from initial value)
- Insulation resistance: 50M Ω min.
- Withstanding voltage: 200V AC/minute
- Applicable FPC: Conductor pitch/0.3mm
<0.6mm pitch staggered>
Conductor width/0.3mm
Mating part thickness/0.2±0.03mm

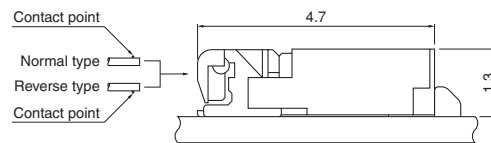
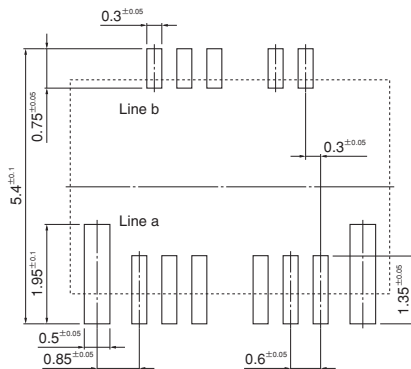
Note: FPC to be actually used should be checked for applicability.

- * Compliant with RoHS.
- * Refer to "General Instruction and Notice when using Terminals and Connectors" at the end of this catalog.
- * Contact JST for details.

Standards

Recognized E60389

PC board layout (viewed from component side) and Assembly layout

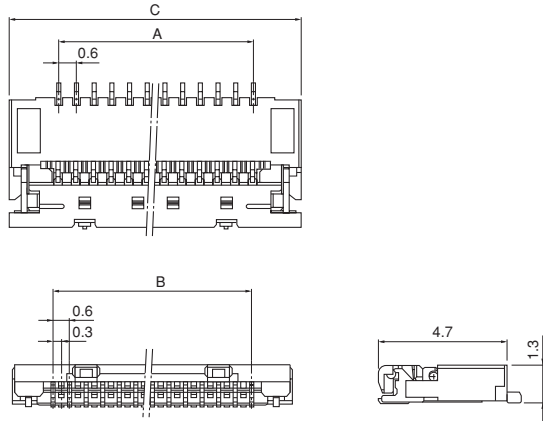


Note: 1. Tolerances are non-cumulative: ±0.05mm for all centers.
2. The dimensions above should serve as a guideline. Contact JST for details.

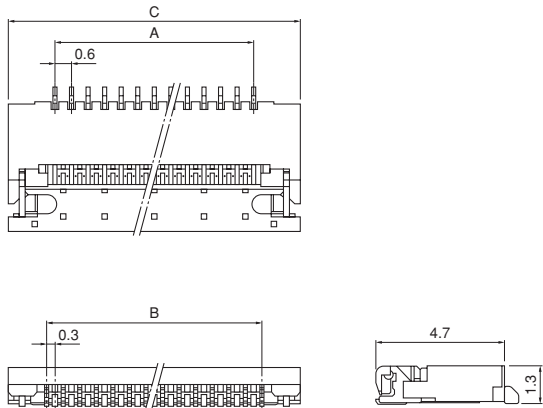
FXL CONNECTOR

Connector

Normal type



Reverse type



Circuits	Model No.	Dimensions (mm)			Q'ty / reel
		A	B	C	
19	19FXL-SM1-S-H-TB	4.8	5.4	8.2	3,000
33	33FXL-SM1-S-H-TB	9.0	9.6	12.4	3,000

Material and Finish

Contact: Copper alloy, copper-undercoated, tin-plated (reflow treatment)
Housing: LCP, UL94V-0
Cover housing: LCP, UL94V-0
Solder tab: Copper alloy, copper-undercoated, tin-plated (reflow treatment)
Frame pin: SUS

RoHS compliance This product displays (LF)(SN) on a label.

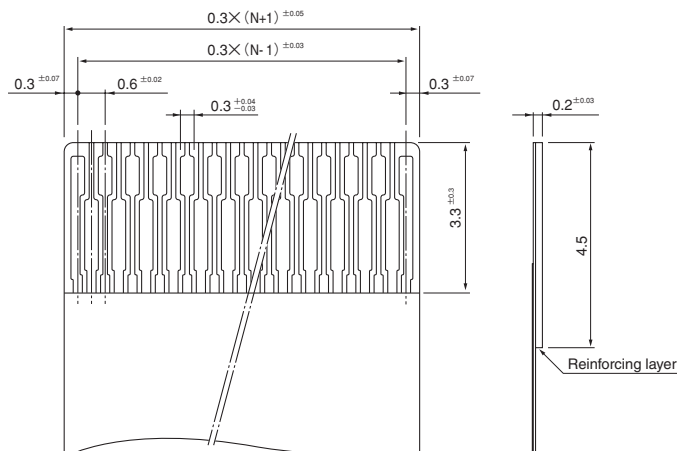
Circuits	Model No.	Dimensions (mm)			Q'ty / reel
		A	B	C	
11	11FXL-RSM1-S-H-TB	2.4	3.0	5.8	3,000
15	15FXL-RSM1-S-H-TB	3.6	4.2	7.0	3,000
17	17FXL-RSM1-S-H-TB	4.2	4.8	7.6	3,000
19	19FXL-RSM1-S-H-TB	4.8	5.4	8.2	3,000
21	21FXL-RSM1-S-H-TB	5.4	6.0	8.8	3,000
23	23FXL-RSM1-S-H-TB	6.0	6.6	9.4	3,000
25	25FXL-RSM1-S-H-TB	6.6	7.2	10.0	3,000
27	27FXL-RSM1-S-H-TB	7.2	7.8	10.6	3,000
29	29FXL-RSM1-S-H-TB	7.8	8.4	11.2	3,000
31	31FXL-RSM1-S-H-TB	8.4	9.0	11.8	3,000
33	33FXL-RSM1-S-H-TB	9.0	9.6	12.4	3,000
39	39FXL-RSM1-S-H-TB	10.8	11.4	14.2	3,000
51	51FXL-RSM1-S-H-G-TB	14.4	15.0	17.8	3,000
57	57FXL-RSM1-S-H-G-TB	16.2	16.8	19.6	3,000

Material and Finish

Contact: Copper alloy, copper-undercoated, tin-plated (reflow treatment)
Copper alloy, nickel-undercoated, gold-plated (51, 57 circuits)
Housing: LCP, UL94V-0
Cover housing: LCP, UL94V-0
Solder tab: Copper alloy, copper-undercoated, tin-plated (reflow treatment)
Reinforcement pin: KOVAR or SUS
Rotary pin: KOVAR or SUS

RoHS compliance This product displays (LF)(SN) on a label.

Lead section dimensions of FPC



Note: N--Number of circuits