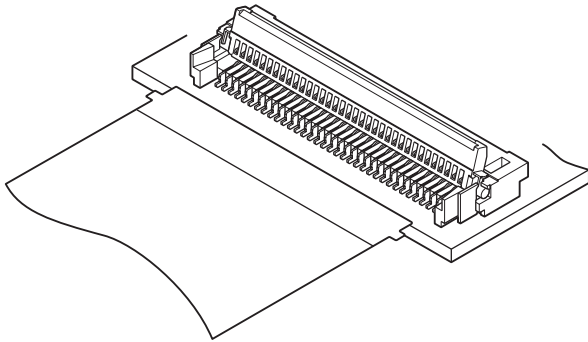


FXM CONNECTOR

0.3mm pitch/Connectors for FPC



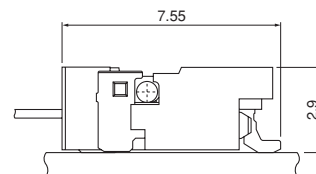
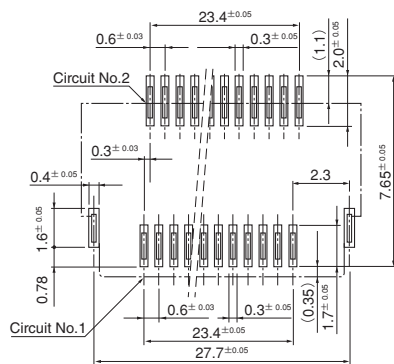
A substantial size for the 0.3mm pitch connector ensures easy handling. Moreover, since this connector accepts a FPC with protrusion providing secure as well as foolproof mating at the customers production line.

- **Double ZIF structure**
- **Self-lock mechanism enables the cover to close by one-touch operation**
- **A FPC with protrusion improves operability and reliability**

Specifications

- Current rating: 0.2A AC, DC
 - Voltage rating: 50V AC, DC
 - Temperature range: -25°C to +85°C
(including temperature rise in applying electrical current)
 - Contact resistance: Initial value/80m Ω max.
After environmental testing/50m Ω max.
(variation from initial value)
 - Insulation resistance: 50M Ω min.
 - Withstanding voltage: 200V AC/minute
 - Applicable FPC: Conductor pitch/0.3mm
<0.6mm pitch staggered>
Conductor width/0.3mm
Mating part thickness/0.3±0.05mm
- * Compliant with RoHS.
* Refer to "General Instruction and Notice when using Terminals and Connectors" at the end of this catalog.
* Contact JST for details.

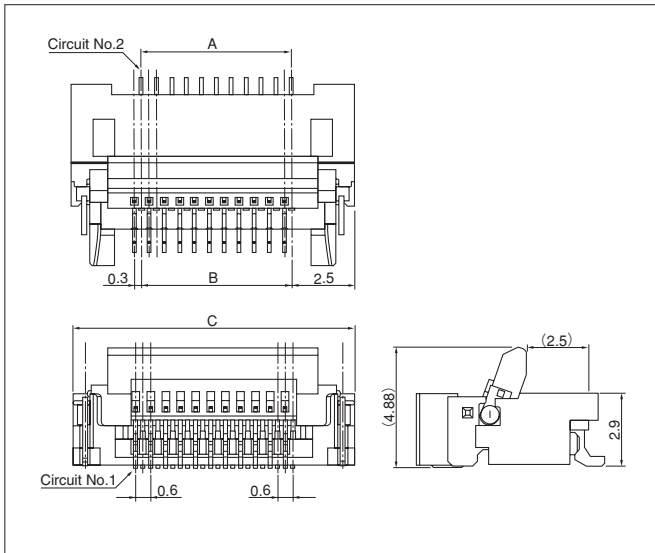
PC board layout (viewed from component side) and Assembly layout



Note: 1. Tolerances are non-cumulative: ±0.05mm for all centers.
2. The dimensions above should serve as a guideline. Contact JST for details.

FXM CONNECTOR

Connector



Circuits	Model No.	Dimensions (mm)			Q'ty / reel
		A	B	C	
80	80FXM-RSM1-G-1-TB	23.4	23.4	28.7	1,500

Material and Finish

Contact: Copper alloy, nickel-undercoated, gold-plated
 Cover: PPS, UL94V-0
 Housing: LCP, UL94V-0
 Solder tab: Copper alloy, copper-undercoated, tin-plated (reflow treatment)

RoHS compliance This product displays (LF)(SN) on a label.

Lead section dimensions of FPC

