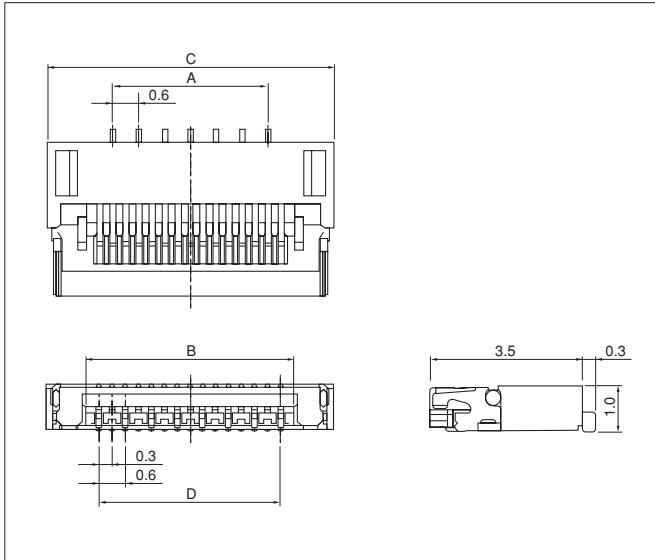




# FXR CONNECTOR

## Connector



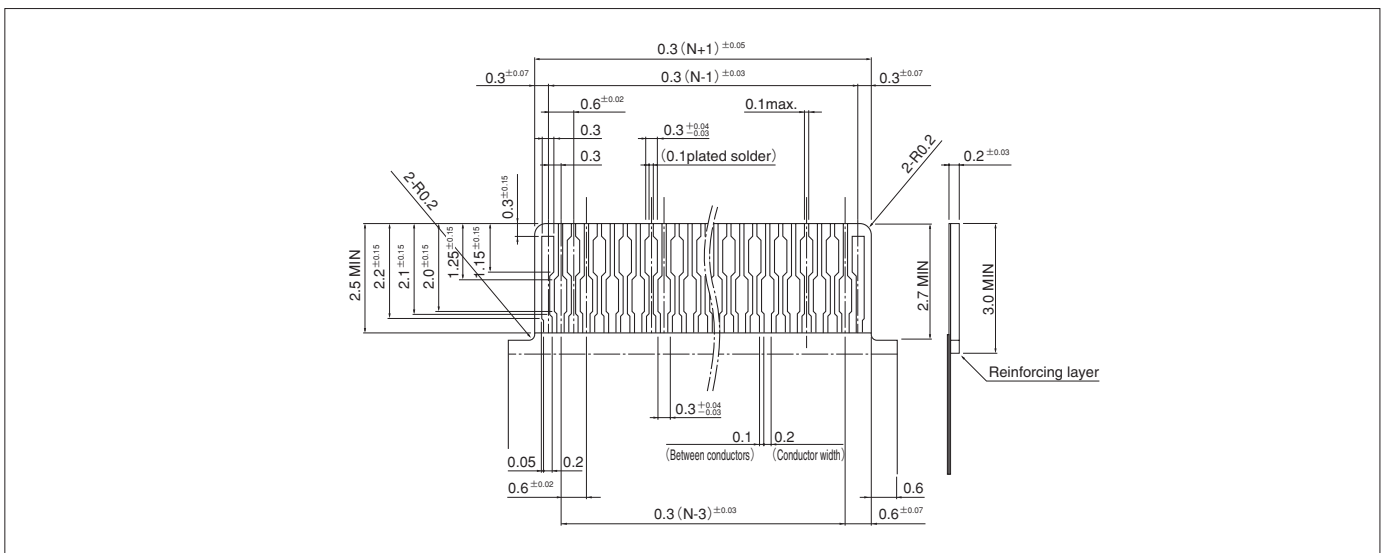
| Circuits | Model No.         | Dimensions (mm) |      |      |      | Q'ty / reel |
|----------|-------------------|-----------------|------|------|------|-------------|
|          |                   | A               | B    | C    | D    |             |
| 11       | 11FXR-RSM1-GAN-TB | 2.4             | 3.6  | 5.4  | 3.0  | 5,000       |
| 13       | 13FXR-RSM1-GAN-TB | 3.0             | 4.2  | 6.0  | 3.6  | 5,000       |
| 15       | 15FXR-RSM1-GAN-TB | 3.6             | 4.8  | 6.6  | 4.2  | 5,000       |
| 17       | 17FXR-RSM1-GAN-TB | 4.2             | 5.4  | 7.2  | 4.8  | 5,000       |
| 19       | 19FXR-RSM1-GAN-TB | 4.8             | 6.0  | 7.8  | 5.4  | 5,000       |
| 21       | 21FXR-RSM1-GAN-TB | 5.4             | 6.6  | 8.4  | 6.0  | 5,000       |
| 23       | 23FXR-RSM1-GAN-TB | 6.0             | 7.2  | 9.0  | 6.6  | 5,000       |
| 25       | 25FXR-RSM1-GAN-TB | 6.6             | 7.8  | 9.6  | 7.2  | 5,000       |
| 27       | 27FXR-RSM1-GAN-TB | 7.2             | 8.4  | 10.2 | 7.8  | 5,000       |
| 29       | 29FXR-RSM1-GAN-TB | 7.8             | 9.0  | 10.8 | 8.4  | 5,000       |
| 31       | 31FXR-RSM1-GAN-TB | 8.4             | 9.6  | 11.4 | 9.0  | 5,000       |
| 33       | 33FXR-RSM1-GAN-TB | 9.0             | 10.2 | 12.0 | 9.6  | 5,000       |
| 35       | 35FXR-RSM1-GAN-TB | 9.6             | 10.8 | 12.6 | 10.2 | 5,000       |
| 37       | 37FXR-RSM1-GAN-TB | 10.2            | 11.4 | 13.2 | 10.8 | 5,000       |
| 39       | 39FXR-RSM1-GAN-TB | 10.8            | 12.0 | 13.8 | 11.4 | 5,000       |
| 45       | 45FXR-RSM1-GAN-TB | 12.6            | 13.8 | 15.6 | 13.2 | 5,000       |
| 47       | 47FXR-RSM1-GAN-TB | 13.2            | 14.4 | 16.2 | 13.8 | 5,000       |
| 51       | 51FXR-RSM1-GAN-TB | 14.4            | 15.6 | 17.4 | 15.0 | 5,000       |
| 61       | 61FXR-RSM1-GAN-TB | 17.4            | 18.6 | 20.4 | 18.0 | 5,000       |

### Material and Finish

Contact: Copper alloy, nickel-undercoated, gold-plated (nickel-stripe)  
 Cover: PPS, UL94V-0  
 Housing: LCP, UL94V-0  
 Solder tab: Copper alloy, copper-undercoated, tin-plated (reflow treatment)

**RoHS compliance** This product displays (LF)(SN)(S)(1) on a label.  
 Note: Contact JST for tin-plated products.

## Lead section dimensions of FPC



Note: N --- Number of circuits