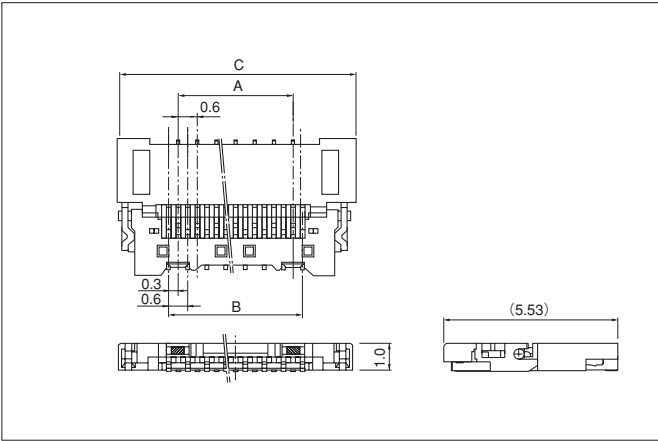


FXW CONNECTOR

Connector



Circuits	Model No.	Dimensions (mm)			Q'ty / reel
		A	B	C	
25	25FXW-SM1-G-S-TB	6.6	7.2	10.4	5,000
29	29FXW-SM1-G-S-TB	7.8	8.4	11.6	5,000

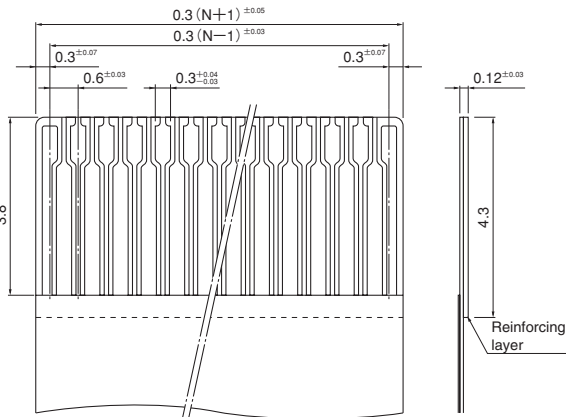
Material and Finish

Contact: Copper alloy, nickel-undercoated, gold-plated
 Housing: Heat resisting resin, UL94V-0
 Solder tab: Copper alloy, copper-undercoated, tin-plated (reflow treatment)
 Cover: Heat resisting resin, UL94V-0

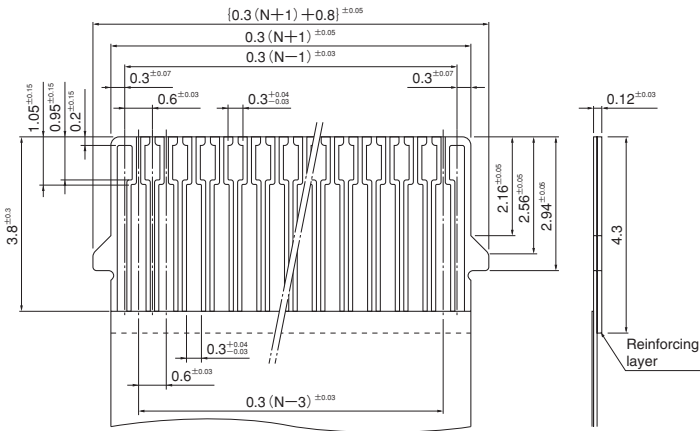
RoHS compliance This product displays (LF)(SN) on a label.

Lead section dimensions of FPC

Straight type



<With protrusions>



Note: N--Number of circuits