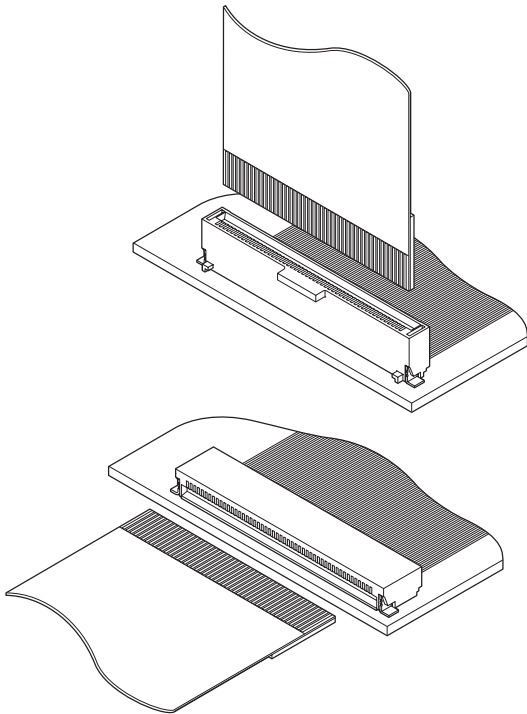


FY CONNECTOR

0.5mm pitch/Connectors for FFC



0.5mm pitch non-ZIF snap-in type FFC connector.

- Heat resisting design suitable for surface mounting
- One-sided contact construction
- Solder tabs
- Embossed tape for automatic mounting

Specifications

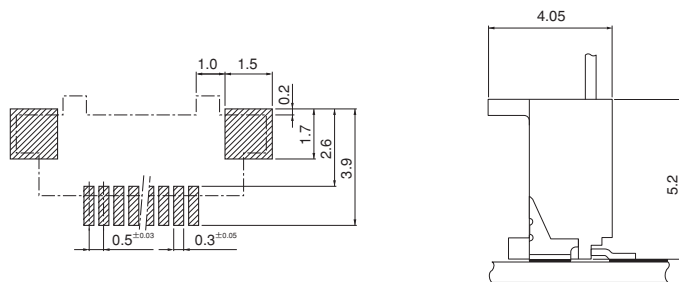
- Current rating: 0.3A AC, DC
- Voltage rating: 30V AC, DC
- Temperature range: -25°C to +85°C
(including temperature rise in applying electrical current)
- Contact resistance: Initial value/50m Ω max.
After environmental testing/70m Ω max.
- Insulation resistance: 100M Ω min.
- Withstanding voltage: 200V AC/minute
- Applicable FFC: Conductor pitch/0.5mm
Conductor width/0.3mm
Mating part thickness/0.3±0.03mm
- * Compliant with RoHS.
- * Refer to "General Instruction and Notice when using Terminals and Connectors" at the end of this catalog.
- * Contact JST for details.

Standards

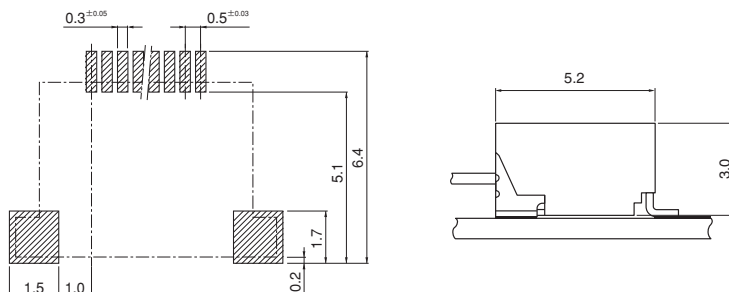
- ⚡ Recognized E60389
- Ⓢ Certified LR20812

PC board layout (viewed from component side) and Assembly layout

Top entry type

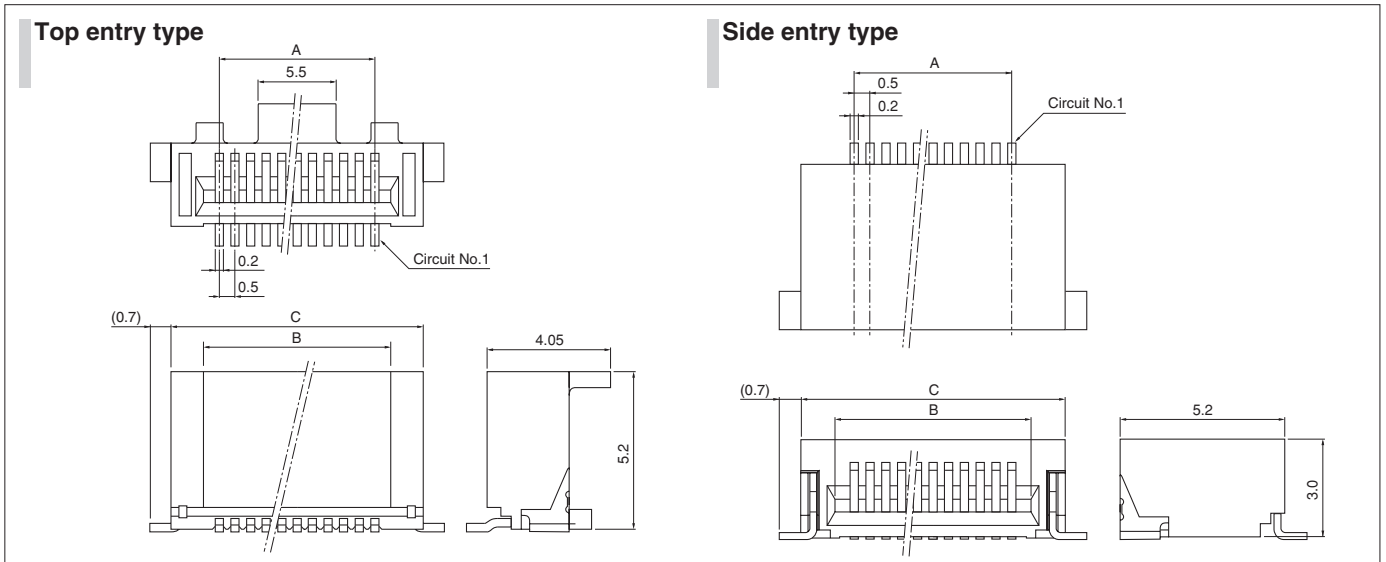


Side entry type



Note: 1. Tolerances are non-cumulative: ±0.03mm for all centers.
2. The dimensions above should serve as a guideline. Contact JST for details.

Connector



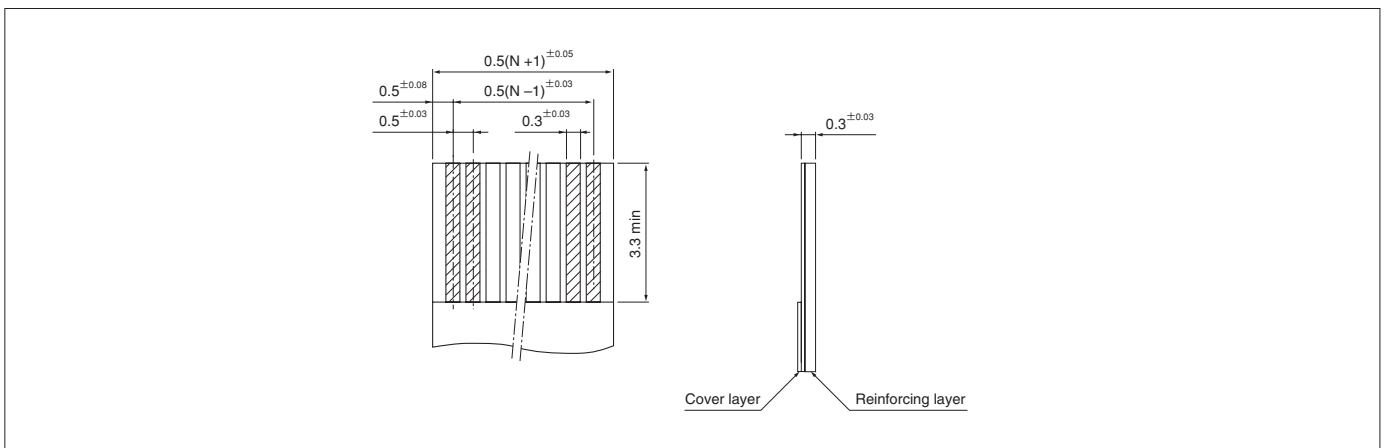
Circuits	Model No.		Dimensions (mm)			Q'ty / reel	
	Top entry type	Side entry type	A	B	C	Top entry type	Side entry type
30	30FY-BMT-TB	30FY-SMT-TF	14.5	15.5	17.7	1,250	2,000
40	40FY-BMT-TB	40FY-SMT-TF	19.5	20.5	22.7	1,250	2,000
50	50FY-BMT-TB	50FY-SMT-TF	24.5	25.5	27.7	1,250	2,000

Material and Finish

Contact: Phosphor bronze, copper-undercoated, tin-plated (reflow treatment)
Housing: PPS, UL94V-0
Solder tab: Brass, copper-undercoated, tin-plated (reflow treatment)

RoHS compliance This product displays (LF)(SN) on a label.

Lead section dimensions of FFC



Note: N --- Number of circuits