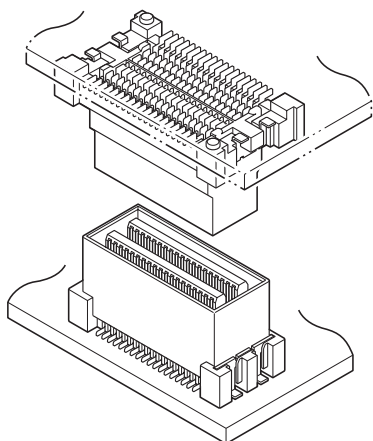


# HTB CONNECTOR

0.635mm pitch/Board-to-board connectors



**This connector is 0.635mm pitch SMT type board-to-board connector with parallel and perpendicular connection.**

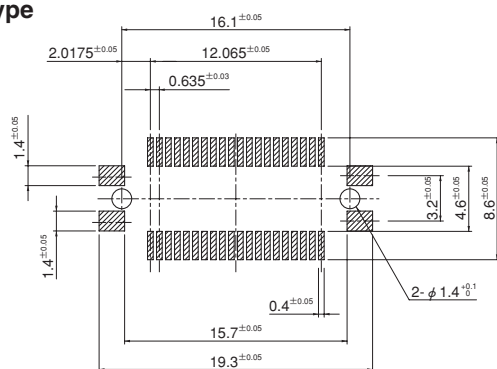
- Distortion preventive construction
- High contact reliability
- Absorbing misalignment when mating connector

## Specifications

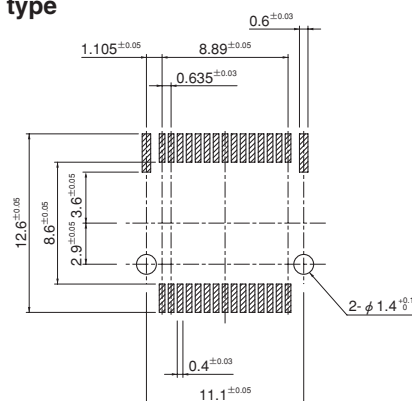
- Current rating: 0.5A AC, DC
- Voltage rating: 50V AC, DC
- Temperature range: -55°C to +85°C  
(including temperature rise in applying electrical current)
- Contact resistance: Initial value/70m Ω max.  
After environmental testing/100m Ω max.
- Insulation resistance: Initial value/ 50m Ω min.
- Withstanding voltage: Initial value/ 500V AC/minute
- \* Compliant with RoHS.
- \* Refer to "General Instruction and Notice when using Terminals and Connectors" at the end of this catalog.
- \* Contact JST for details.

## PC board layout (viewed from component side)

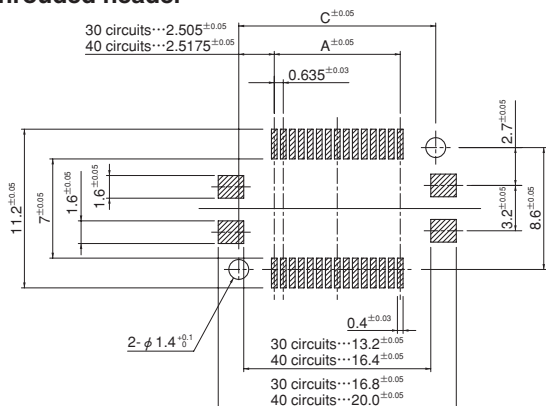
**Receptacle  
Top entry type**



**Receptacle  
Side entry type**



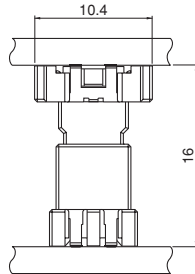
**Shrouded header**



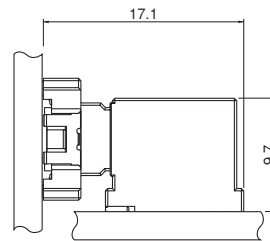
# HTB CONNECTOR

## Assembly layout

### Top entry type

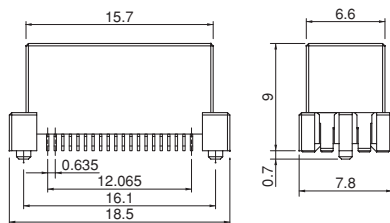
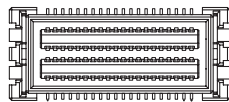


### Side entry type

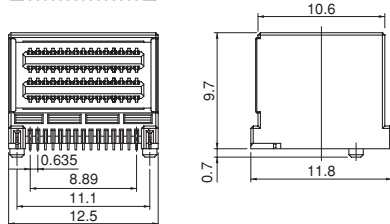
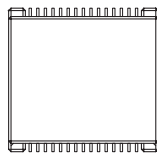


## Receptacle

### Top entry type



### Side entry type



Circuits	Model No.		Q'ty / reel
	Top entry type (Between PC boards 16mm)	Side entry type	
30	—	<b>30RS-HTBK-06-TF</b>	250
40	<b>40R16-HTBK-06-TF</b>	—	300

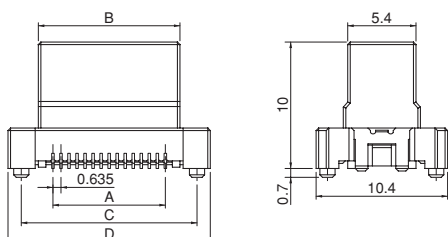
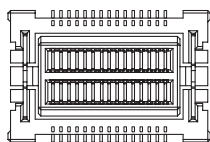
### Material and Finish

Contact: Copper alloy, nickel-undercoated, selective gold-plated  
Housing: Glass-filled PA 9T, UL94V-0  
Reinforcement: Copper alloy, nickel-undercoated, selective gold-plated

### RoHS compliance

Note: This products listed above are supplied on embossed-tape.

## Shrouded header



Circuits	Model No.	Dimensions (mm)				Q'ty / reel
		A	B	C	D	
30	<b>30H-HTBK-06-TF</b>	8.89	11.2	13.9	16.0	250
40	<b>40H-HTBK-06-TF</b>	12.065	14.4	17.1	19.2	250

### Material and Finish

Contact: Copper alloy, nickel-undercoated, selective gold-plated  
Housing: Glass-filled PA 9T, UL94V-0  
Reinforcement: Copper alloy, nickel-undercoated, selective gold-plated

### RoHS compliance

Note: This products listed above are supplied on embossed-tape.