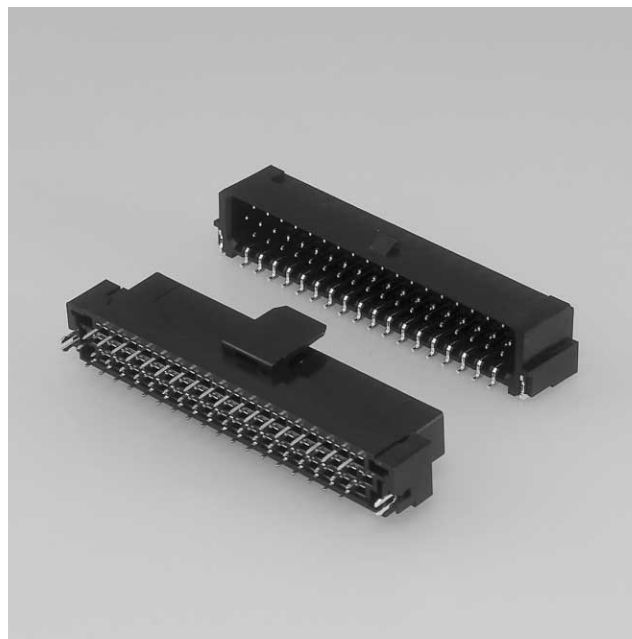
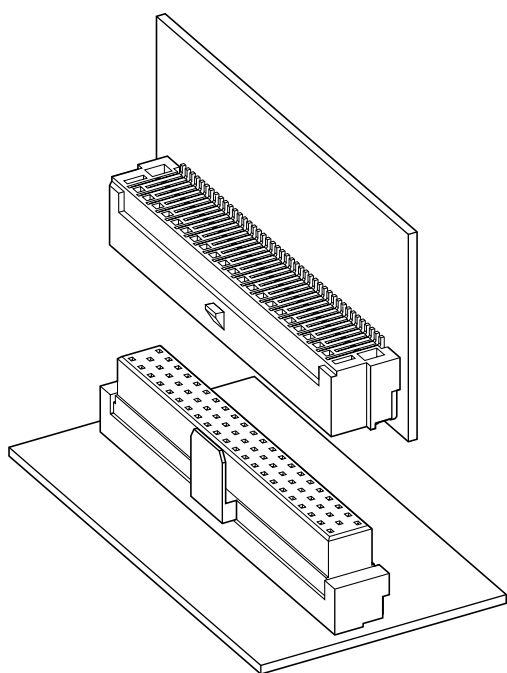


JDF CONNECTOR

Board-to-board connectors



This 1.5mm pitch board-to-board connector has achieved further miniaturization in width by adopting a triple row structure. The connector is also equipped with a floating mechanism which absorbs misplacement when mounted to the board and misalignment when assembled.



Features

• Flexible structure

The floating structure of the receptacle means that it has a separate structure of upper and bottom part in order to absorb misplacement of the component of up to 0.5mm both horizontally and vertically when mounted to the board and misalignment when assembled.

• Highly reliable connection

Reliable connection is ensured by adopting a secure locking system and applying gold plating on the contact part.

• Mounting type

Plug: SMT type

Receptacle: Through-hole type

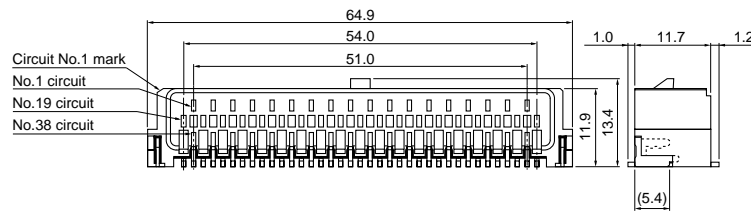
Specifications

- Current rating: 1.0A AC, DC
- Voltage rating: 50V AC, DC
- Temperature range: -25°C to +85°C
(including temperature rise in applying electrical current)
- Contact resistance: Initial value/40m Ω max.
After environmental testing/60m Ω max.
- Insulation resistance: 300M Ω min.
- Withstanding voltage: 250V AC/minute
- Applicable PC board thickness: 1.6mm
- * RoHS compliant products are published.
- * Refer to "General Instruction and Notice when using Terminals and Connectors" at the end of this catalog.
- * Contact JST for details.

Standards

 Recognized E60389

Plug



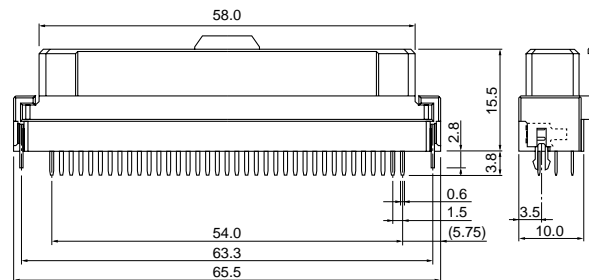
Cir-cuits	Model No.	Q'ty / box
55	55PS-JDFK-SM-G	440

Material and Finish

Contact: Brass, nickel-undercoated, overall; gold-plated
Housing: Glass-filled PA 6T, UL94V-0, black
Solder tab: Brass, copper-undercoated, tin-plated (reflow treatment)

RoHS compliance This product displays (LF)(SN) on a label.

Receptacle



Cir-cuits	Model No.	Q'ty / box
55	55R-JDFK-GB	240

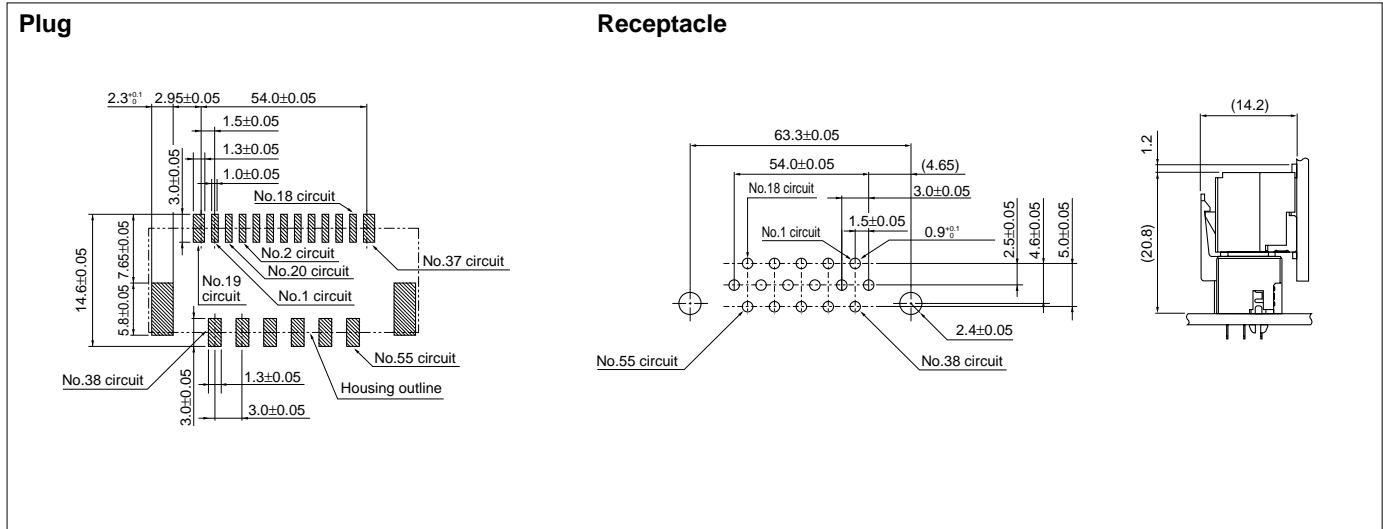
Material and Finish

Contact: Phosphor bronze, nickel-undercoated,
Mating part: gold-plated
Solder tail: tin-plated (reflow treatment)
Housing: Glass-filled PBT, UL94V-0, black
Reinforcing pin: Brass, copper-undercoated, tin-plated (reflow treatment)

RoHS compliance This product displays (LF)(SN) on a label.

JDF CONNECTOR

PC board layout (viewed from component side) and Assembly layout



Note:

1. Tolerances are non-cumulative: ±0.05mm for all centers.
2. Hole dimensions differ according to the kind of PC board and piercing method.
The dimensions above should serve as a guideline. Contact JST for details.