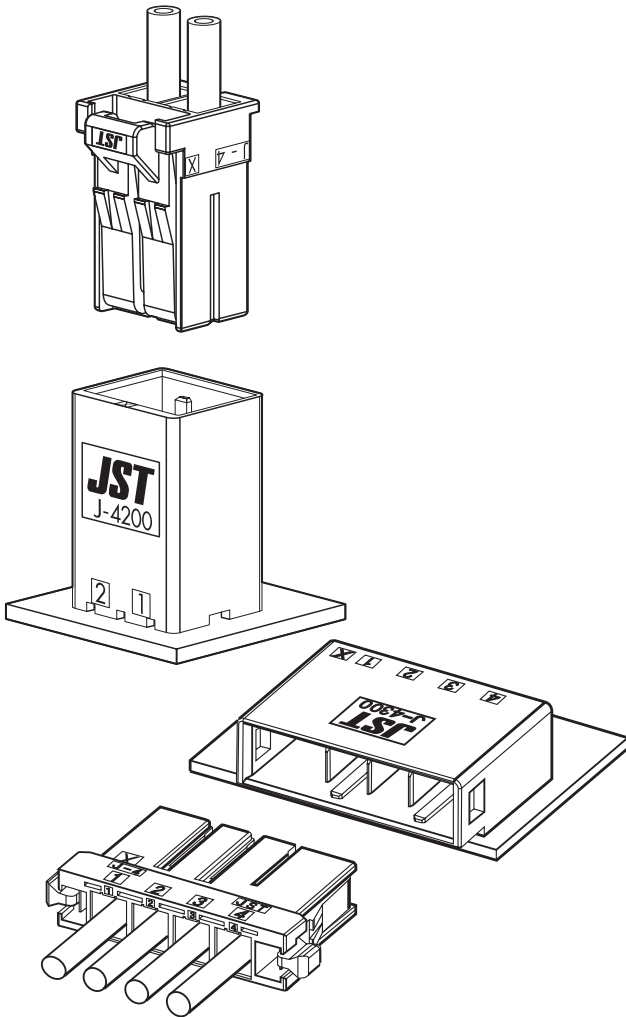


# JFA CONNECTOR J4000 SERIES

6.0/6.35mm pitch/Disconnectable Crimp style connectors



**Compact and high current capacity connector.**  
**This connector realizes high-density mounting on PC board.**

- High current capacity
- Housing lance
- Countermeasure for insertion of foreign substances (with protector)

## Specifications

- Current rating: Refer to the following matrix table.
- Voltage rating: 600V AC, DC
- Temperature range: -55°C to +105°C  
 (including temperature rise in applying electrical current)
- Withstanding voltage: 2,200V AC/minute
- Applicable wire: AWG #16 to #12 (1.25 to 3.5mm<sup>2</sup>)
- Applicable PC board thickness: 1.6 to 2.4mm

\*Contact JST for details.  
 \*Compliant with RoHS.

### Current rating

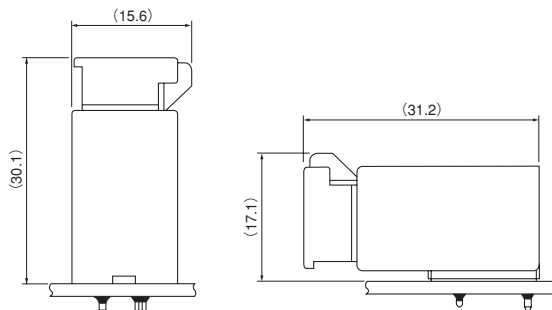
Unit: A

Circuits	Wire size (AWG)		
	#12	#14	#16
2	22.0	18.0	14.0
3	20.0	17.0	13.5
4	19.0	16.0	13.0
6	18.0	16.0	12.5

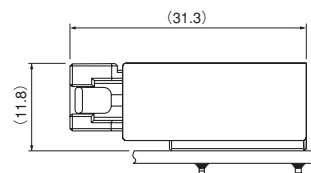
## Standards

Recognized E60389

J4200

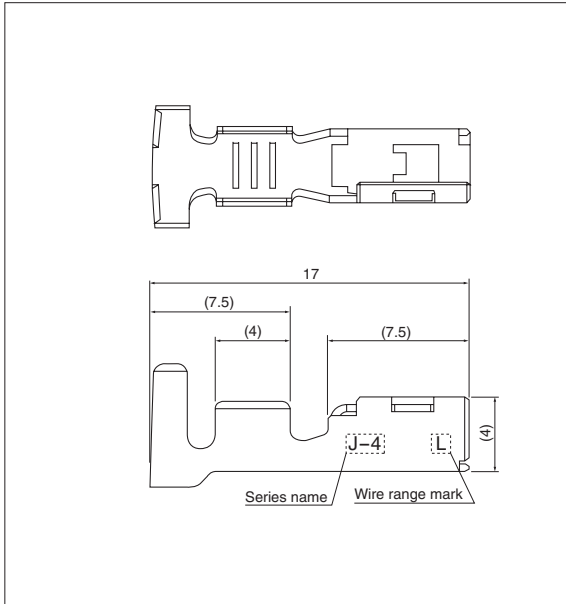


J4300



# JFA CONNECTOR/J4000 SERIES

## Receptacle contact



Model No.		Applicable wire			Insulation O.D. (mm)	Q'ty	
Strip contact	Loose piece contact	Nominal	mm <sup>2</sup>	AWG#		reel	box (Loose piece)
<b>SJ4F-71GF-M3.0</b>	<b>BJ4F-71GF-M3.0</b>	M	1.25~2.0	16~14	2.0~3.8	1,400	350
<b>SJ4F-81GF-M3.0</b>	<b>BJ4F-81GF-M3.0</b>	L	2.0~3.5	14~12	2.9~4.2	1,400	350

### Material and Finish

Copper alloy (superior conductivity), nickel-undercoated, selective gold-plated

### RoHS compliance

Note: Finish(GF): Nickel-undercoated, 0.38 μm selective gold-plated

## Crimping machine, Applicator

Strip contact Model No.	Crimping machine	Crimp applicator	Dies	Crimp applicator with dies
<b>SJ4F-71GF-M3.0</b>	AP-K2N	MKS-L-SIN3	MK/SJ4F-71-30	APLMK SJ4F71-30
<b>SJ4F-81GF-M3.0</b>			MK/SJ4F-81-30	APLMK SJ4F81-30

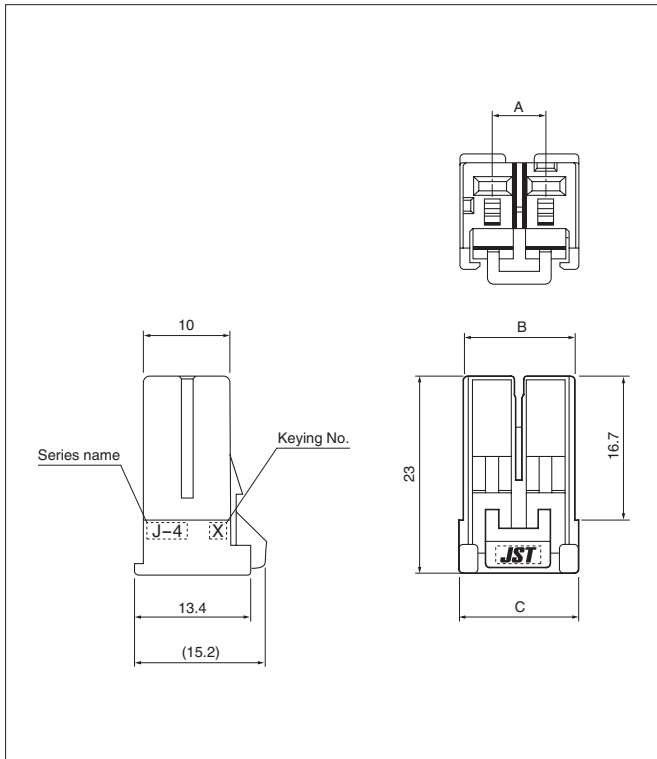
Loose piece	Hand crimp tools
<b>BJ4F-71GF-M3.0</b>	YRF-1130
<b>BJ4F-81GF-M3.0</b>	YRF-1370

Extraction tool for J4000 series : EJ-JFAJ4

Note: Contact JST for fully automatic crimping applicator.

# J4000 SERIES/J4200S

## Receptacle housing



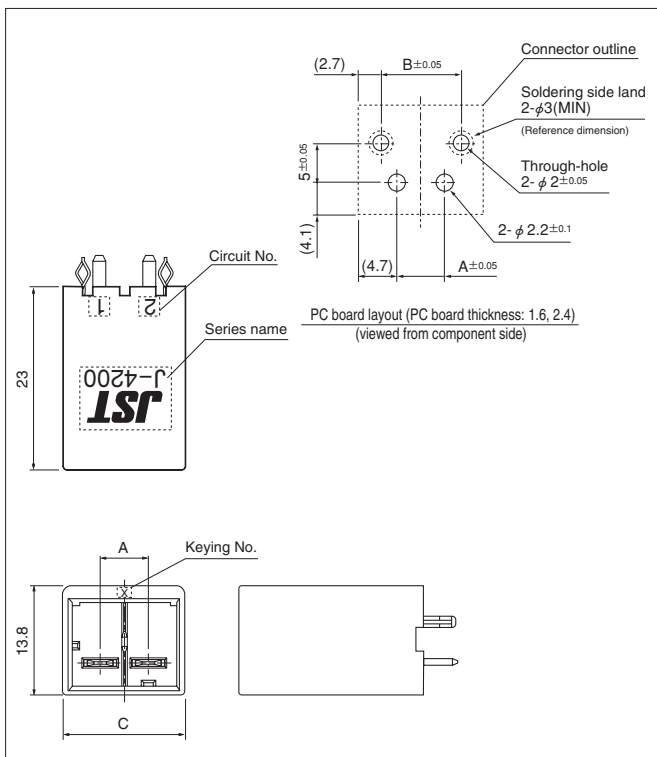
Circuits	Keying	Model No.	Dimensions (mm)			Qty / bag
			A	B	C	
2	X	<b>J42FSC-02V-KX</b>	6.0	12.8	13.6	200
	Y	<b>J42FSC-02V-KY</b>	6.0	12.8	13.6	200
3	X	<b>J42FSC-03V-KX</b>	12.0	18.8	19.6	130
	Y	<b>J42FSC-03V-KY</b>	12.0	18.8	19.6	130
6	X	<b>J42FSC-06V-KX</b>	30.0	36.8	37.6	70
	Y	<b>J42FSC-06V-KY</b>	30.0	36.8	37.6	70

### Material

Glass-filled PBT, UL94V-0, black

### RoHS compliance

## Header (Top entry type)



Circuits	Keying	Model No.	Dimensions (mm)			Qty / box
			A	B	C	
2	X	<b>BC02B-J42SK-GHXR</b>	6.0	10.0	15.4	168
	Y	<b>BC02B-J42SK-GHYR</b>	6.0	10.0	15.4	168
3	X	<b>BC03B-J42SK-GHXR</b>	12.0	16.0	21.4	90
	Y	<b>BC03B-J42SK-GHYR</b>	12.0	16.0	21.4	90
6	X	<b>BC06B-J42SK-GHXR</b>	30.0	34.0	39.4	45
	Y	<b>BC06B-J42SK-GHYR</b>	30.0	34.0	39.4	45

### Material and Finish

Tab contact: Copper alloy, nickel-undercoated, selective gold-plated

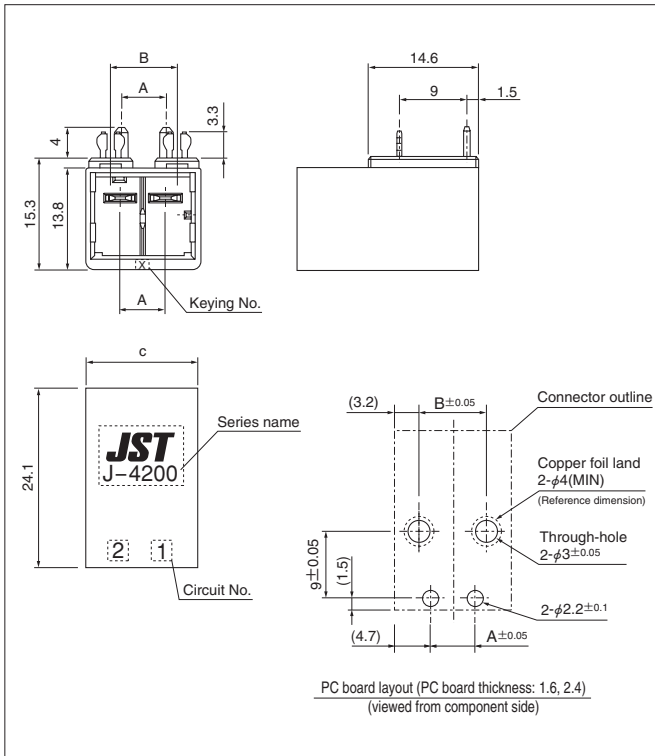
Housing: Glass-filled PBT, UL94V-0, black

Reinforcing metal fixture: Copper alloy, nickel-undercoated, selective gold-plated

### RoHS compliance

# J4000 SERIES/J4200S

## Header (Side entry type)



Circuits	Keying	Model No.	Dimensions (mm)			Q'ty / box
			A	B	C	
2	X	SC02B-J42SK-GHXR	6.0	9.0	15.4	120
	Y	SC02B-J42SK-GHYR	6.0	9.0	15.4	120

### Material and Finish

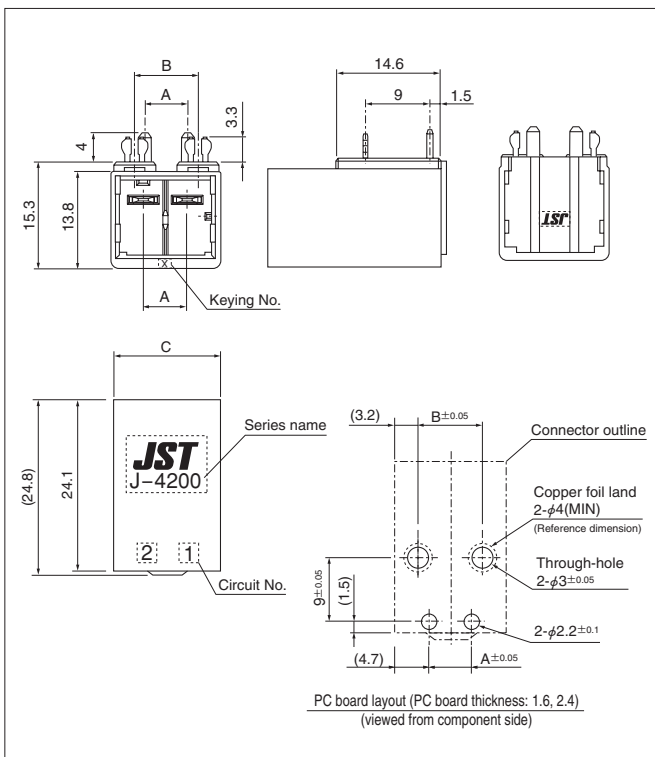
Tab contact: Copper alloy, nickel-undercoated, selective gold-plated

Housing: Glass-filled PBT, UL94V-0, black

Reinforcing metal fixture: Copper alloy, nickel-undercoated, gold-plated

### RoHS compliance

## Header (Side entry type with protector)



Circuits	Keying	Model No.	Dimensions (mm)			Q'ty / box
			A	B	C	
2	X	SC02B-J42SK-GHXPR	6.0	9.0	15.4	120
	Y	SC02B-J42SK-GHYPR	6.0	9.0	15.4	120

### Material and Finish

Tab contact: Copper alloy, nickel-undercoated, selective gold-plated

Housing: Glass-filled PBT, UL94V-0, black

Reinforcing metal fixture: Copper alloy, nickel-undercoated, gold-plated

Protector: Glass-filled PBT, UL94V-0, black

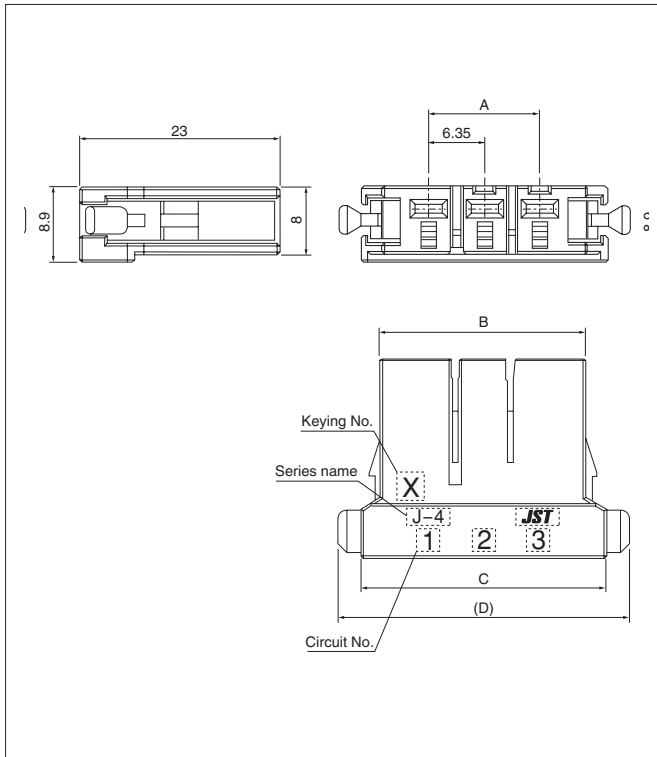
### RoHS compliance

(Patent pending)

When applying a current to the connector, the protector prevents foreign substances being inserted into mating part from the back of the connector.

# J4000 SERIES/J4300S

## Receptacle housing



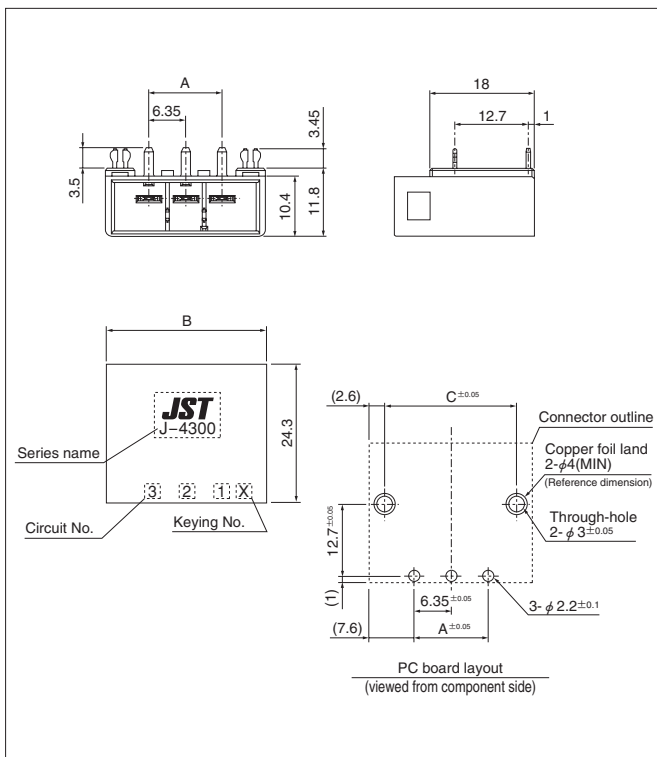
Circuits	Keying	Model No.	Dimensions (mm)				Qty / bag
			A	B	C	D	
3	X	J43FSS-03V-KX	12.7	23.8	28.5	33.7	200
	Y	J43FSS-03V-KY	12.7	23.8	28.5	33.7	200
4	X	J43FSS-04V-KX	19.05	30.15	34.85	40.05	200
	Y	J43FSS-04V-KY	19.05	30.15	34.85	40.05	200

### Material

Glass-filled PBT, UL94V-0, black

### RoHS compliance

## Header (Top entry type)



Circuits	Keying	Model No.	Dimensions (mm)			Qty / box
			A	B	C	
3	X	S03B-J43SK-GHXR	12.7	27.9	22.7	64
	Y	S03B-J43SK-GHYR	12.7	27.9	22.7	64
4	X	S04B-J43SK-GHXR	19.05	34.25	29.05	48
	Y	S04B-J43SK-GHYR	19.05	34.25	29.05	48

### Material and Finish

Tab contact: Copper alloy, nickel-undercoated, selective gold-plated

Housing: Glass-filled PBT, UL94V-0, black

Reinforcing metal fixture: Copper alloy, nickel-undercoated, selective gold-plated

### RoHS compliance

# JFA CONNECTOR/J4000 SERIES

## Model number identification

### Receptacle contact

**S J4 F - 71 GF - M 3.0**

Form: S...Strip form, B...Loose piece	S
Series name	J4
Kind of terminal: F...Receptacle contact	F
Applicable wire: 71...AWG #16 ~ #14 81...AWG #14 ~ #12	71
Surface finish: GF...Nickel-undercoated, 0.38μm selective gold-plated	GF
Material: M...Copper alloy	M
Terminal size	3.0

### Receptacle housing

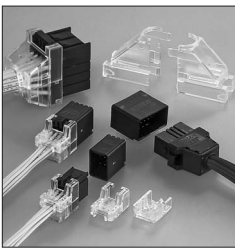
**J42 F S C - 02 V - K X**

Series name: J42...6.0mm pitch J43...6.35mm pitch	J42
Type of connector: F...Receptacle housing	F
Rows: S...Single-row	S
Configuration: C...Center locking S...Side locking	C
No. of circuits: 2, 3, 4, 6	02
Flammability: V...UL94V-0	V
Color indication: K...Black	K
Keying: X...X-Keying, Y...Y-Keying	X

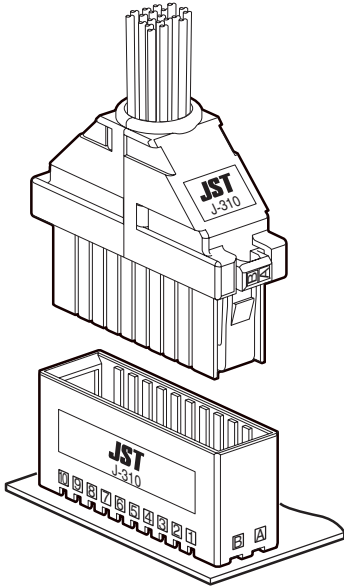
### Header

**SC 02 B -J42 S K - GH X P R**

Form: BC...Top & center locking SC...Side & center locking S...Side locking	SC
No. of circuits: 2, 3, 4, 6	02
Product name: Header	B
Series name: J42...6.0mm pitch J43...6.35mm pitch	J42
Rows: S...Single-row	S
Color indication: K...Black	K
Surface finish: GH...Nickel-undercoated, selective gold-plated	GH
Keying: X...X-Keying, Y...Y-Keying	X
Special product: P...With protector, Blank...Standard product	P
Packaging form: R...Tray, M...Magazine stick	R



# JFA CONNECTOR/PROTECTOR

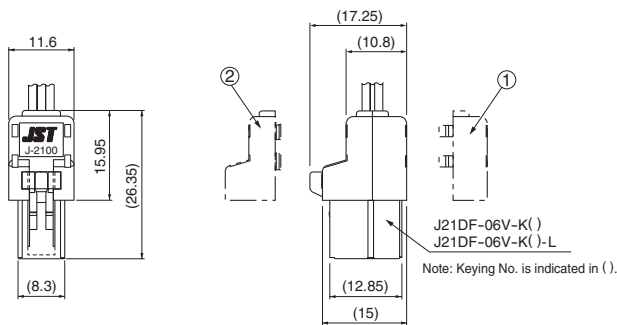


Note: Protector is not UL/CSA/TÜV approved

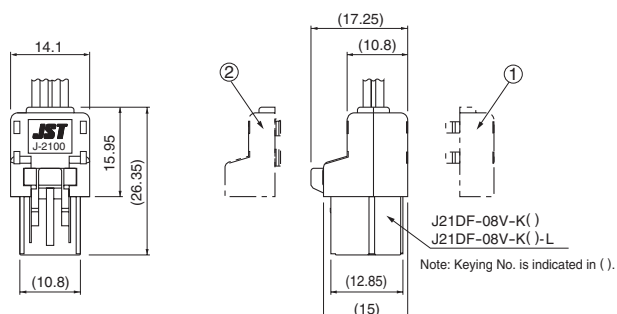
**When applying a current to the connector, the protector prevents foreign substances being inserted into mating part from the wiring side. However it has no function of holding the wire securely.**

## J2000 Series

### •J2100 series for 6 circuits



### •J2100 series for 8 circuits



No.	Model No.	Color
①	<b>J21PF-06SCA</b>	Transparent
②	<b>J21PF-06SCB</b>	Transparent

#### Material

Polycarbonate

#### RoHS compliance

No.	Model No.	Color
①	<b>J21PF-08SCA</b>	Transparent
②	<b>J21PF-08SCB</b>	Transparent

#### Material

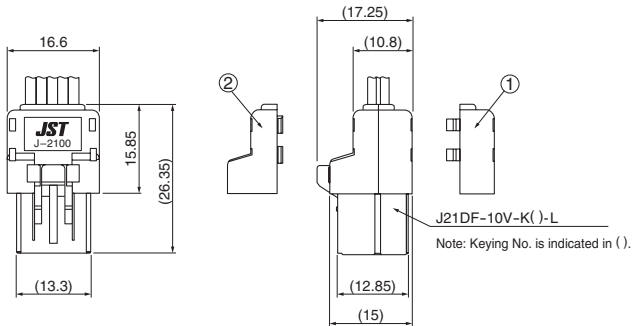
Polycarbonate

#### RoHS compliance

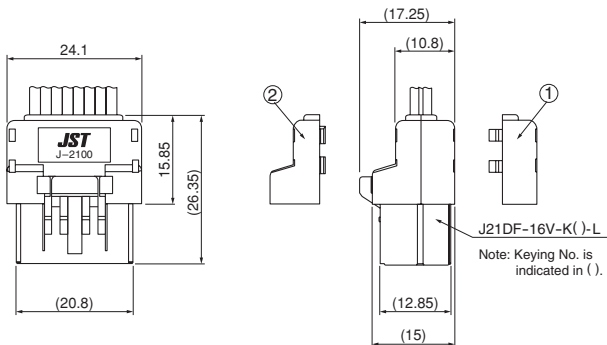
# JFA CONNECTOR/PROTECTOR

## J2000 Series

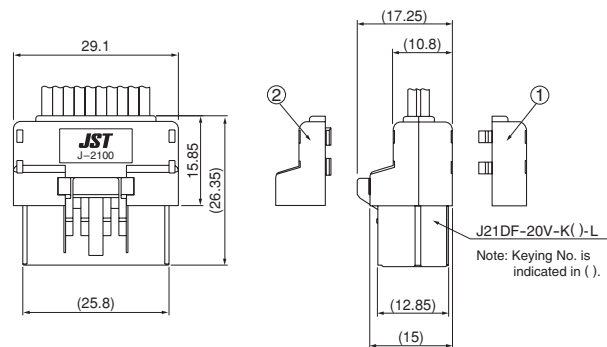
### •J2100 series for 10 circuits



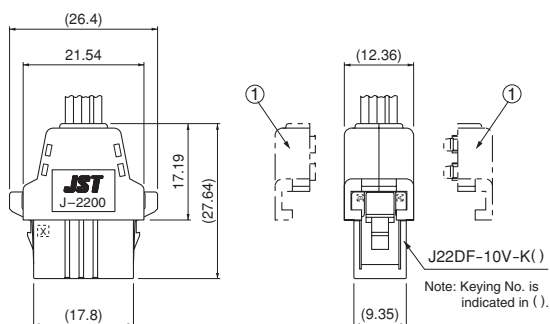
### •J2100 series for 16 circuits



### •J2100 series for 20 circuits



### •J2200 series for 10 circuits



No.	Model No.	Color
①	<b>J21PF-10SCA</b>	Transparent
②	<b>J21PF-10SCB</b>	Transparent
Material		
Polycarbonate		

**RoHS compliance**

No.	Model No.	Color
①	<b>J21PF-16SCA</b>	Transparent
②	<b>J21PF-16SCB</b>	Transparent
Material		
Polycarbonate		

**RoHS compliance**

No.	Model No.	Color
①	<b>J21PF-20SCA</b>	Transparent
②	<b>J21PF-20SCB</b>	Transparent
Material		
Polycarbonate		

**RoHS compliance**

No.	Model No.	Color
①	<b>J22PF-10VK</b>	Black
Material		
Glass-filled PBT		

**RoHS compliance**

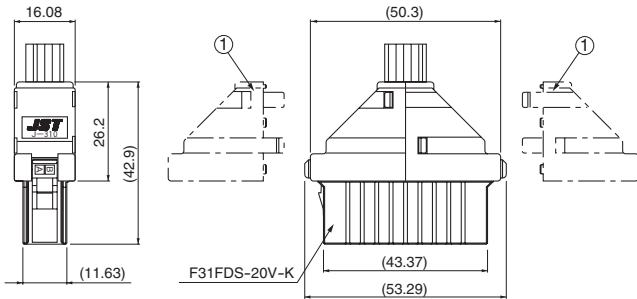
Note: Two protectors are used.



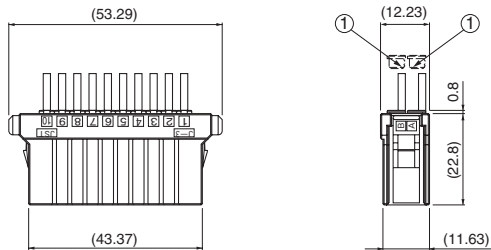
# JFA CONNECTOR/PROTECTOR

## J300 Series

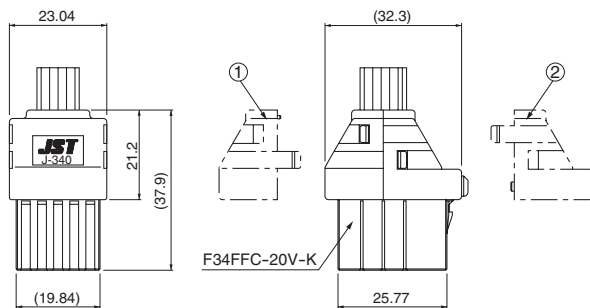
### •J310D series for 20 circuits



### •J310D series / Embedding-type protector for 8, 10 circuits

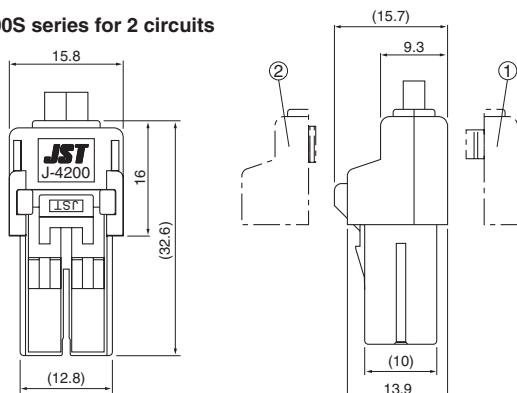


### •J340F series for 20 circuits



## J4000 Series

### •J4200S series for 2 circuits



No.	Model No.	Color
①	<b>F31PFD-20VK</b>	Black
①	<b>F31PFD-20SC</b>	Transparent

#### Material

Black: Glass-filled PBT  
Transparent: Polycarbonate

#### RoHS compliance

Note: Two protectors of the same color are used.

No.	Model No.	Color
①	<b>F31PFS-10KU</b>	Black

#### Material

Glass-filled PBT

#### RoHS compliance

Note: This protector is cut and used for each number of circuits.

No.	Model No.	Color
①	<b>F34PFF-20VKA</b>	Black
	<b>F34PFF-20SCA</b>	Transparent
②	<b>F34PFF-20VKB</b>	Black
	<b>F34PFF-20SCB</b>	Transparent

#### Material

Black: Glass-filled PBT  
Transparent: Polycarbonate

#### RoHS compliance

Note: Both 1 and 2 protectors in the same color are used.

No.	Model No.	Color
①	<b>J42PF-02SCA</b>	Transparent
②	<b>J42PF-02SCB</b>	Transparent

#### Material

Polycarbonate

#### RoHS compliance

(Patent pending)

When applying a current to the connector, the protector prevents foreign substances being inserted into mating part from the wiring side. However it has no function of holding the wire securely.