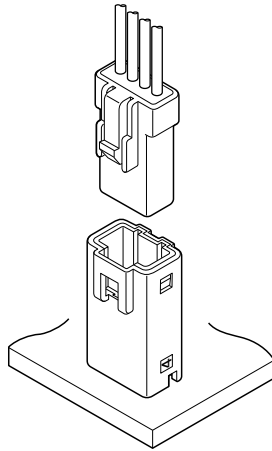


JWPF CONNECTOR

2.0 mm pitch/Disconnectable Crimp style connectors (Waterproof type)



This is a 2.0 mm pitch wire-to-board connector with grade 7 of ingress protection of JIS C 0920 (IPX7 of IEC 60529), suitable for use for the place of which waterproof is required.

- Waterproof (immersion-proof type)
- Pre-installed seal ring
- A method of plugging by seal rubber plate in bulk
- Double-spring construction
- Housing lance
- Inner lock structure
- Header suitable for potting process
- Receptacle is used in common with wire-to-wire connectors.

■ Standards

☑ : Recognized E 60389

■ Specifications

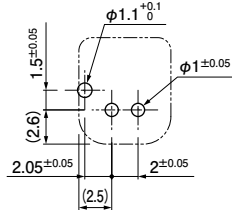
- Current rating: 3 A AC/DC (AWG #22)
 - Voltage rating: 100 V AC/DC
 - Temperature range: -55°C to +85°C
(including temperature rise in applying electrical current)
 - Contact resistance:
 - Initial value/ 10 mΩ max.
 - After environmental tests/ 15 mΩ max.
 - Insulation resistance: 1,000 MΩ min.
 - Withstanding voltage: 1,000 VAC/minute
 - Applicable wire: Conductor size/ AWG #26 to #22
Insulation O.D./ ϕ 1.4 mm to ϕ 1.7 mm
 - Waterproof grade:
 - Grade 7 ingress protection of JIS C 0920 (IPX7 of IEC 60529)
 - Applicable PC board thickness: 1.6 mm
- * In using the products, refer to "Handling Precaution for Terminals and Connectors" described on our website (Technical documents of Product information page).
- * It does not comply with the Electrical Appliance and Material Safety Law. (Applicable only in Japan)
- * RoHS2 Compliance
- * Dimensional unit: mm
- * Contact JST for details.

JWPF CONNECTOR

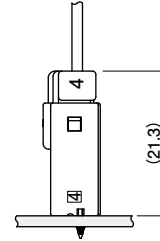
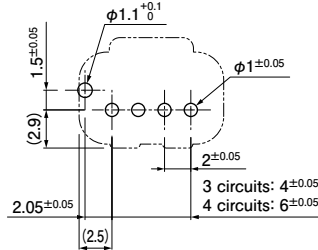
PC board layout and Assembly layout

Single-row type

(2 circuits)

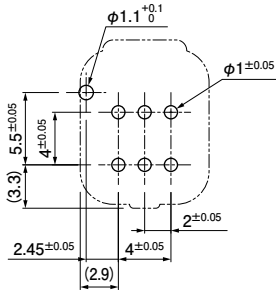


(3 and 4 circuits)

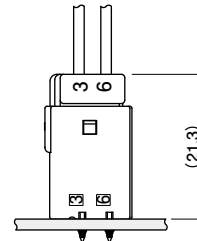
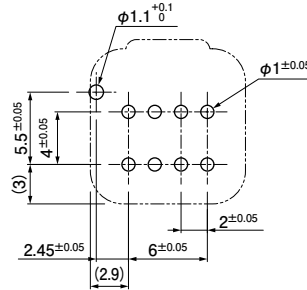


Dual-row type

(6 circuits)

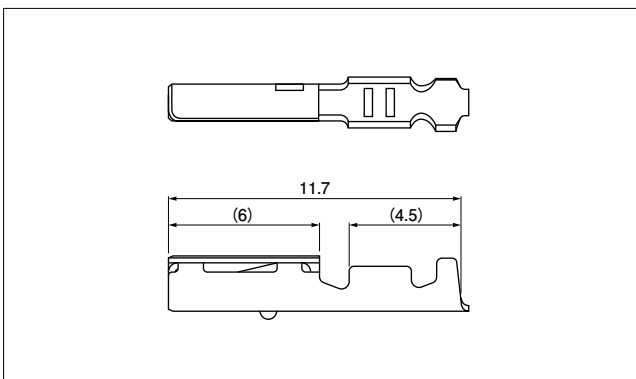


(8 circuits)



- Note: 1. The PC board layout is the figure viewed from the connector mounting side.
 2. Tolerance for the drilling hole pitch on PCB is ± 0.05 throughout, and shall not be cumulative.
 Hole dimensions differ according to the type of PC board and piercing method.
 Larger hole diameters are required when using the hard material such as through-hole PC board.
 Please contact JST for details as the dimensions shown in the above figure are reference values.

Receptacle contact



Model No.	Applicable wire range		Q'ty/ reel	
	Conductor size	AWG (mm ²)		Insulation O.D. (mm)
SWPR-001T-P025	#26 to #22	(0.13 to 0.33)	1.4 to 1.7	8,200

Material and Finish

Copper alloy, tin-plated

RoHS2 compliance

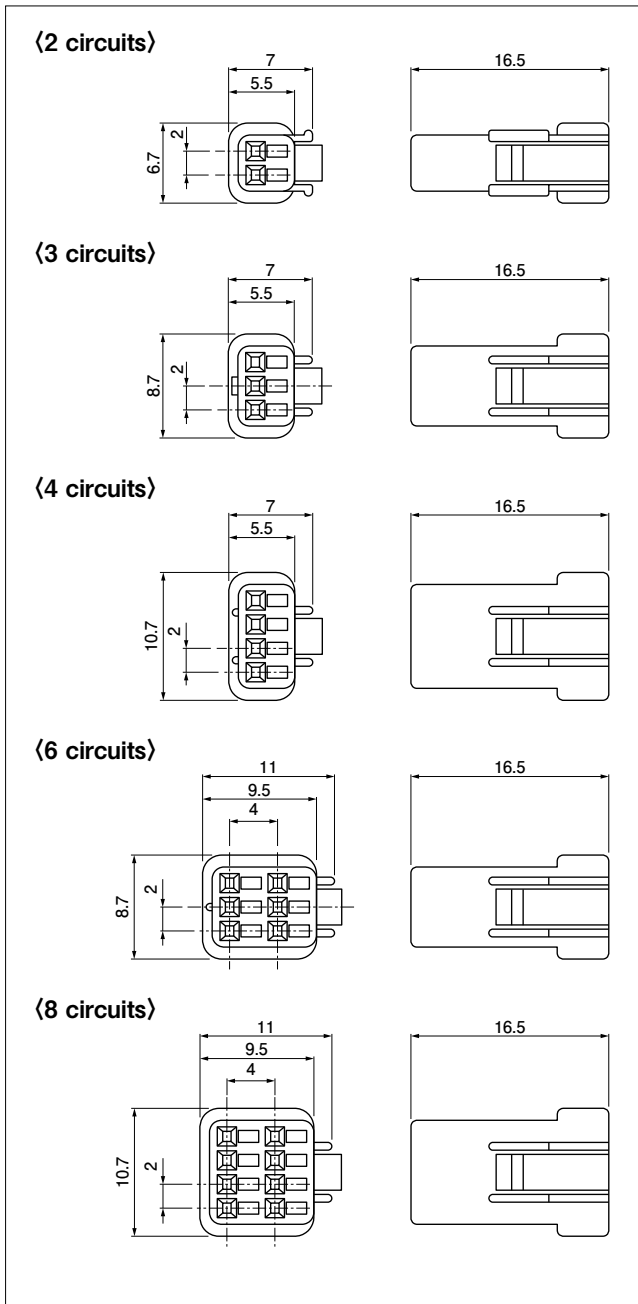
Crimping machine

Contact	Crimping machine	Applicator	Crimp applicator with dies
SWPR-001T-P025	AP-K2N	MKS-L	APLMK SWPR/T001-025

Note: Contact JST for fully automatic crimping applicator.

JWPF CONNECTOR

Receptacle housing assembly



No. of circuits	Model No.	Q'ty/bag
2	02R-JWPF-VSLE-S	1,000
3	03R-JWPF-VSLE-S	1,000
4	04R-JWPF-VSLE-S	1,000
6	06R-JWPF-VSLE-D	1,000
8	08R-JWPF-VSLE-D	1,000

Material and Finish

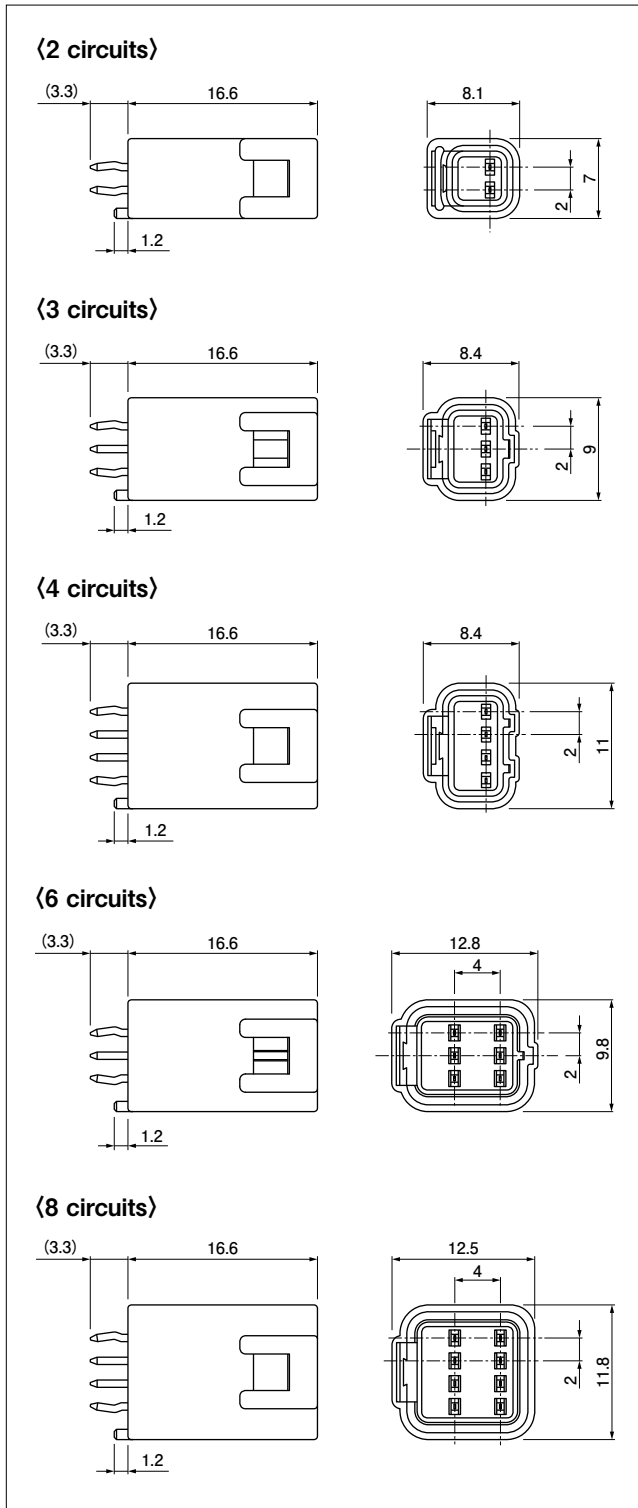
Receptacle housing: PBT (Glass-filled), UL94V-0, natural (white)
 Seal rubber plate: Silicone rubber, light blue

RoHS2 compliance

Note: Seal rubber plate is preassembled in receptacle housing assembly.

JWPF CONNECTOR

Base housing assembly



No. of circuits	Model No.	Q'ty/box
2	B02B-JWPF-SK-R	825
3	B03B-JWPF-SK-R	650
4	B04B-JWPF-SK-R	525
6	B06B-JWPF-SK-R	330
8	B08B-JWPF-SK-R	270

Material and Finish

Base contact: Copper alloy, copper-undercoated, tin-plated
 Base housing: PBT (Glass-filled), UL94V-0, natural (white)
 Seal ring holder: PBT, UL94V-0, yellow
 Seal ring: Silicone rubber, blue

RoHS2 compliance This product displays (LF) (SN) on a label.
 Note: The base housing assembly is an assembled product in which the seal ring holder and seal ring are pre-set in the base housing where the base contacts are press-fitted.

JWPF CONNECTOR

Model number allocation

Receptacle contact

S W P R - 001 T - P 025

Form: S...Strip form

Series name

Type of contact: R...Receptacle

Applicable wire range: 001...AWG #26 to #22

Surface finish: T...Tin-plated

Material: P...Copper alloy

Applicable contact size

Receptacle housing assembly

02 R - JWPF - V S L E - S

No. of circuits

Part name: Receptacle housing

Series name

Flammability: V...UL94V-0

Housing color: S...Natural (White)

Seal rubber plate color: LE...Light blue

No. of rows in circuits: S...Single-row, D...Dual-row

Base housing assembly

B 02 B - JWPF - S K - R

Shape of assembled product:
B...Top entry type

No. of circuits

Part name: Base

Series name

Housing color: S...Natural (White)

Indication of clinch: K...Clinched

Packaging style: Packed in tray