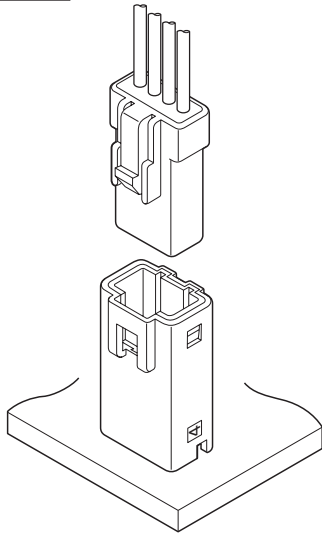


JWPF CONNECTOR

2.0mm pitch/Disconnectable Crimp style connectors



Applicable for waterproof usage. Its waterproof grade is more than 7 ingress protection of JIS C 0920 (IEC 60529 IPX7).

- Waterproof performance
- Contained seal ring
- Solid rubber seal
- Double-spring construction
- Housing-to-terminal locks
- Inner housing lock
- Interchangeability
- Header for use specifically with resin coated ("potted") PC board

Specifications

- Current rating: 3A AC, DC (AWG #22)
- Voltage rating: 100V AC, DC
- Temperature range: -40°C to +85°C
(including temperature rise in applying electrical current)
- Contact resistance: Initial value/5m Ω max.
After environmental testing/10m Ω max.
- Insulation resistance: 800M Ω min.
- Withstanding voltage: 1,000V AC/minute
- Applicable wire: AWG #26 to #22
0.13 to 0.33mm²
Insulation O.D./1.4 to 1.6mm
- Waterproof grade: More than grade 7 ingress protection of JIS C 0920 (IEC 60529 IPX7).

* Compliant with RoHS.

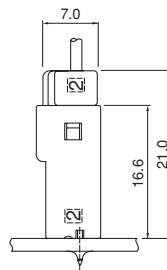
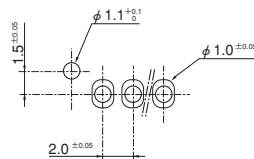
* Refer to "General Instruction and Notice when using Terminals and Connectors" at the end of this catalog.

* Contact JST for details.

Standards

Recognized E60389

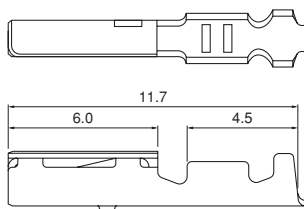
PC board layout (viewed from component side) and Assembly layout



Note: 1. Tolerances are non-cumulative: ±0.05mm for all centers.

2. Hole dimension differ according to the kind of PC board and piercing method. If PC boards made of hard material are used, the hole dimensions should be larger. The dimensions above should serve as a guideline. Contact JST for details.

Contact



Model No.	Applicable wire		Insulation O.D (mm)	Q'ty / reel
	mm ²	AWG#		
SWPR-001T-P025	0.13~0.33	26~22	1.4~1.6	8,200

Material and Finish

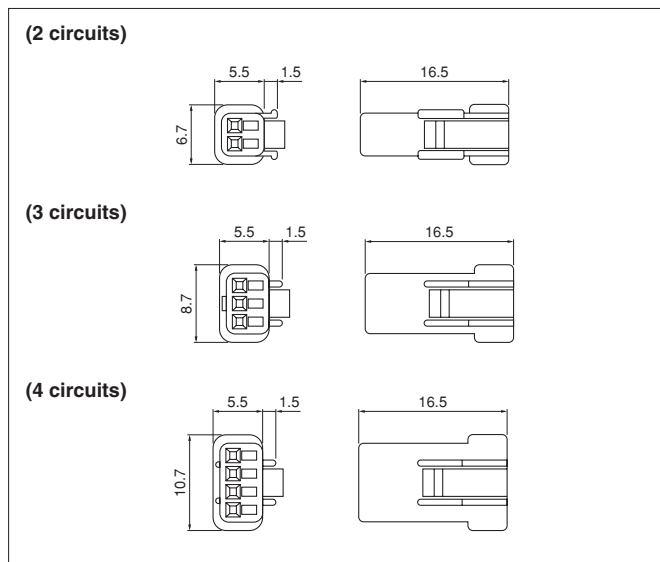
Copper alloy, tin-plated (reflow treatment)

RoHS compliance

Contact	Crimping machine	Applicator		
		Crimp applicator	Dies	Crimp applicator with dies
SWPR-001T-P025	AP-K2N	MKS-L	MK/SWPR/T-001-025	APLMK SWPR/T001-025
		—	—	—

JWPF CONNECTOR

Housing



Note: Housing comes with seal rubber plate.

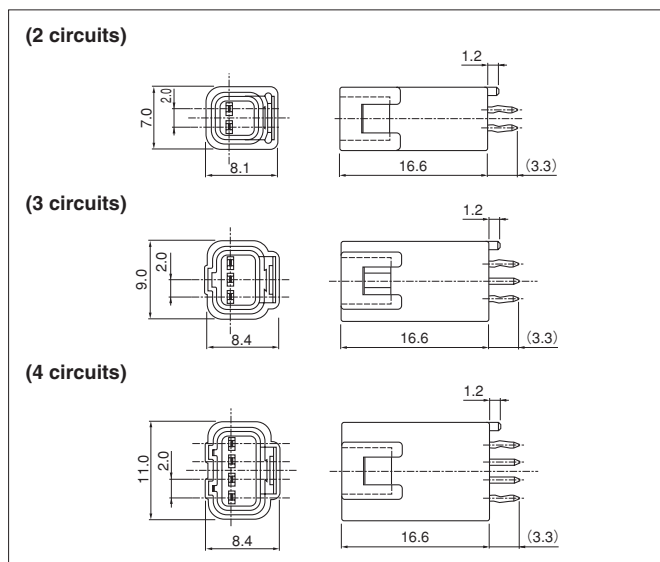
Circuits	Model No.	Q'ty / bag
2	02R-JWPF-VSLE-S	1,000
3	03R-JWPF-VSLE-S	1,000
4	04R-JWPF-VSLE-S	1,000

Material

PBT, UL94V-0, natural (white)

RoHS compliance

Shrouded header



Circuits	Model No.	Q'ty / box
2	B02B-JWPF-SK-R	825
3	B03B-JWPF-SK-R	650
4	B04B-JWPF-SK-R	525

Material and Finish

Press pin: Copper alloy, tin-plated (reflow treatment)
 Seal ring: Silicon rubber
 Seal ring holder: PBT, UL94V-0, yellow
 Wafer: Glass-filled PBT, UL94V-0, natural (white)

RoHS compliance This product displays (LF)(SN) on a label.