

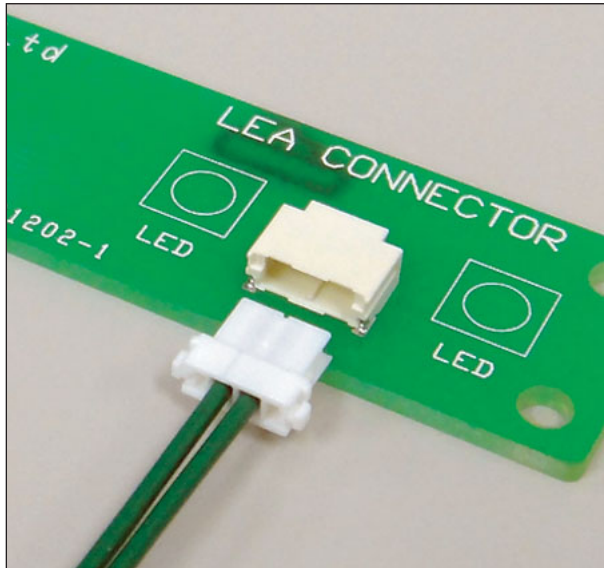
NEW PRODUCT

For LED Lamp (wire to board connection)

LEA CONNECTOR

1.8mm Pitch

Considering that the connector does not affect the luminescence angle of LED chip, this low profile type connector (height: 3.0mm) is designed for connection to LED lamp and realized space saving. A secure locking mechanism is arranged to this connector in order to consider the handling of wire in actual use, although this is a low profile.



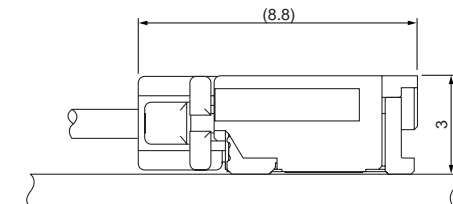
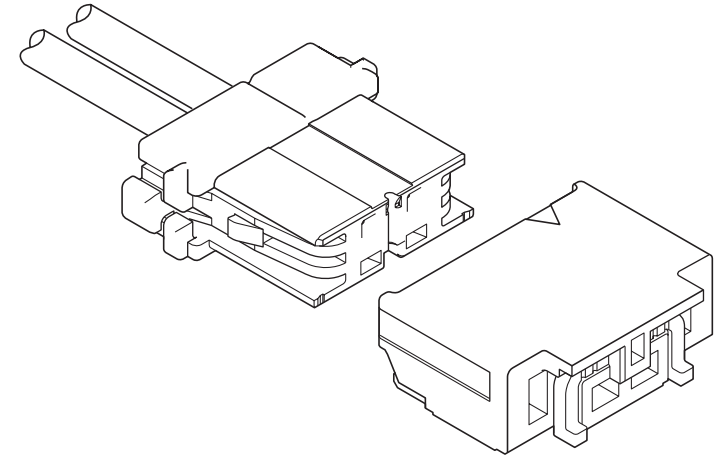
■ Features

- *Secure locking mechanism*
- *Countermeasure for inverse insertion*
- *Contact lance*

■ Specifications

- Current rating : 3A AC, DC (AWG#22)
- Voltage rating : 300V AC, DC
- Temperature : -55°C to +105°C (including temperature range rise in applying electrical current)
- Contact : Initial value / 10 mΩ max.
resistance After environmental testing / 20 mΩ max.
- Insulation : 1,000MΩ min.
resistance
- Withstanding : AC 1,700V/1minute
voltage
- Applicable : Conductor size / AWG #30 to AWG #22
wire Insulation O.D. / 0.7 to 1.3 mm dia
- No. of Circuits : 2-circuit
- Part number : Header / SM02B-LEASS-TF
: Socket / LEAR-02V-S
: Contact / SSFH-001T-P0.5
/ SSFH-002T-P0.5
(It is shared with contact for existing SFH connector)

JST



J.S.T. MFG. CO., LTD.

<http://www.jst-mfg.com>