



PS CONNECTOR

Connectors for tabs

- Secure locking, easy insertion
- Stable contact performance
- Mis-insertion prevention mechanism and housing lance

Standards

Recognized E60389

Certified LR20812

R9850196

Specifications

- Current rating: 25A AC, DC(#250/AWG #10)
- Voltage rating: 250V AC, DC
- Temperature range: -40°C to +105°C
(including temperature rise in applying electrical current)
- Contact resistance: Initial value/ 3m Ω max.
After environmental testing/ 6m Ω max.
- Insulation resistance: 1,000M Ω min.
- Withstanding voltage: 2,000V AC/ minute
- Applicable wire: #110...AWG #24 to #16
#187...AWG #26 to #14
#205...AWG #22 to #14
#250...AWG #22 to #10
- Applicable Tab: #110 Tab 0.5mm thick
#187 Tab 0.5mm/0.8mm thick
#205 Tab 0.5mm/0.8mm thick
#250 Tab 0.8mm thick

* Compliant with RoHS.

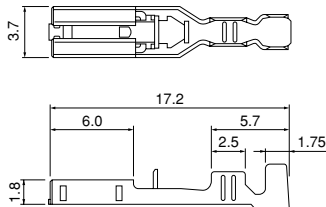
* Refer to "General Instruction and Notice when using Terminals and Connectors" at the end of this catalog.

* Contact JST for details.

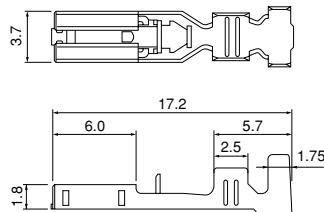
Contact

#110 Series

SPS-01T-110



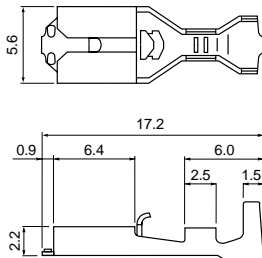
SPS-41T-110



#187 Series

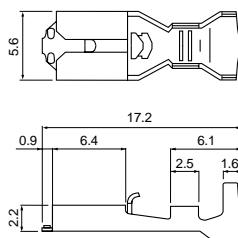
SPS-01T-187

(for 0.5mm thick tabs)



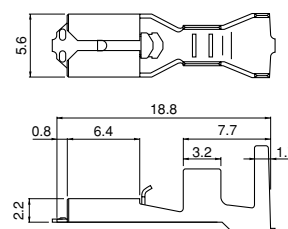
SPS-51T-187

(for 0.5mm thick tabs)



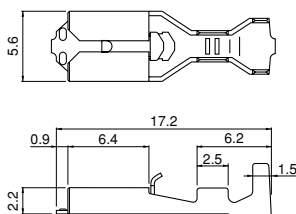
SPS-82T-187

(for 0.5mm thick tabs)



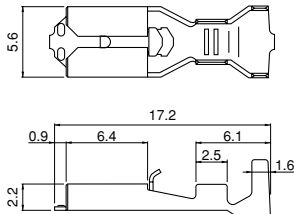
SPS-01T-187-8

(for 0.8mm thick tabs)



SPS-51T-187-8

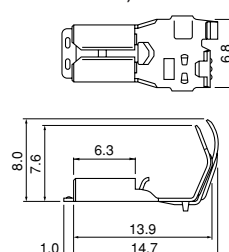
(for 0.8mm thick tabs)



<Flag type>

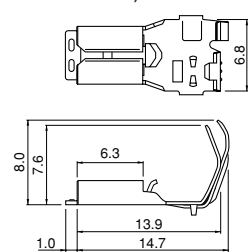
SFPS-41T-187

(for 0.5mm thick tabs)



SFPS-41T-187-8

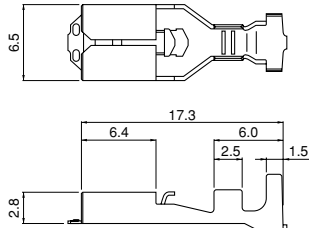
(for 0.8mm thick tabs)



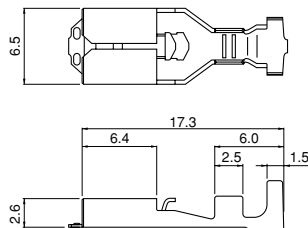
Contact

#205 Series

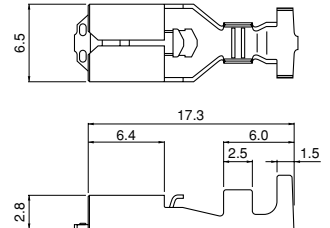
SPS-21T-205
(for 0.8mm thick tabs)



SPS-21T-205-5
(for 0.5mm thick tabs)

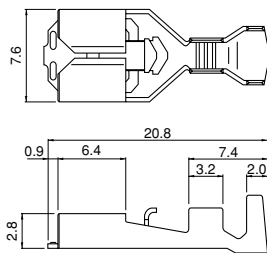


SPS-51T-205
(for 0.8mm thick tabs)

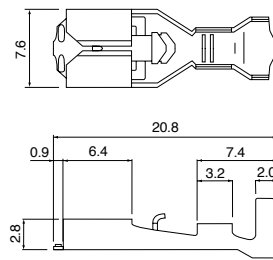


#250 Series

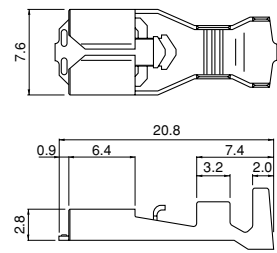
SPS-21T-250



SPS-61T-250

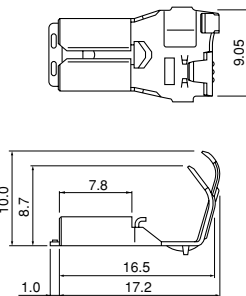


SPS-91T-250

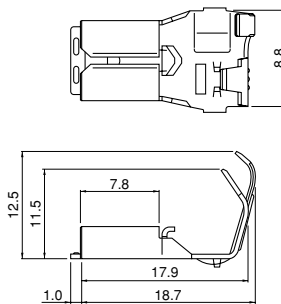


<Flag type>

SFPS-61T-250

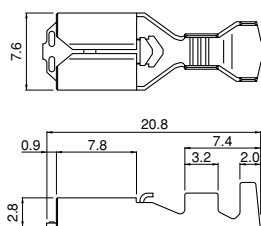


SFPS-91T-250

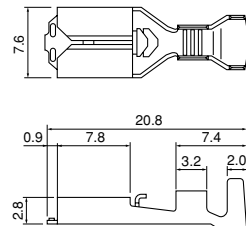


#250S Series

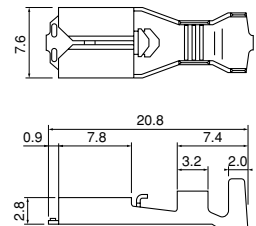
SPS-21T-250S



SPS-61T-250S



SPS-91T-250S



PS CONNECTOR

Contact

| Series | Model No. | Applicable wire | | Insulation O.D.(mm) | Q'ty / reel | |
|-----------|--|-----------------|---------------------|---------------------|-----------------|--------|
| | | mm ² | AWG # | | | |
| #110 | SPS-01T-110 | 0.21~0.5 | 24~20 | 1.0~2.5 | 10,000 | |
| | SPS-41T-110 | 0.5 ~ 1.31 | 20~16 | 1.9~3.4 | 10,000 | |
| #187 | for 0.5mm thick tabs | SPS-01T-187 | 0.13~0.5 | 26~20 | 1.3~3.4 | 10,000 |
| | | SPS-51T-187 | 0.5 ~ 2.0 | 20~14 | 1.9~3.6 | 7,500 |
| | | SPS-82T-187 | 0.75+0.75~1.25+1.25 | 18+18~16+16 | 2.1+2.1~2.9+2.9 | 3,500 |
| | for 0.8mm thick tabs | SPS-01T-187-8 | 0.13~0.5 | 26~20 | 1.3~3.4 | 10,000 |
| | | SPS-51T-187-8 | 0.5 ~ 2.0 | 20~14 | 1.9~3.6 | 7,500 |
| | | SFPS-41T-187 | 0.3 ~ 1.25 | 22~16 | 1.7~3.4 | 5,000 |
| #187 flag | for 0.5mm thick tabs for 0.8mm thick tabs | SFPS-41T-187-8 | 0.3 ~ 1.31 | 22~16 | 1.7~3.4 | 5,000 |
| | | SPS-21T-205 | 0.3 ~ 0.75 | 22~18 | 1.5~3.1 | 5,000 |
| #205 | for 0.8mm thick tabs for 0.5mm thick tabs for 0.8mm thick tabs | SPS-21T-205-5 | 0.3 ~ 0.75 | 22~18 | 1.5~3.1 | 5,000 |
| | | SPS-51T-205 | 0.5 ~ 2.0 | 20~14 | 1.9~3.6 | 5,000 |
| | | SPS-21T-250 | 0.3 ~ 0.75 | 22~18 | 1.5~3.1 | 5,000 |
| #250 | | SPS-61T-250 | 0.75~2.0 | 18~14 | 2.1~3.9 | 5,000 |
| | | SPS-91T-250 | 2.0 ~ 5.5 | 14~10 | 3.0~4.7 | 4,000 |
| | | SFPS-61T-250 | 0.75~2.0 | 18~14 | 2.1~3.9 | 3,000 |
| #250 flag | | SFPS-91T-250 | 3.5 ~ 5.5 | 12~10 | 4.0~5.2 | 2,000 |
| | | SPS-21T-250S | 0.3 ~ 0.75 | 22~18 | 1.5~3.1 | 5,000 |
| #250S | | SPS-61T-250S | 0.75~2.0 | 18~14 | 2.1~3.9 | 5,000 |
| | | SPS-91T-250S | 2.0 ~ 5.5 | 14~10 | 3.0~4.7 | 4,000 |

Material and Finish

Brass, tin-plated (reflow treatment)

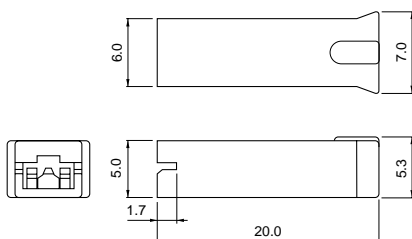
RoHS compliance

| Contact | Crimping machine | Applicator | | |
|-------------------|------------------|------------------|-----------------|----------------------------|
| | | Crimp applicator | Dies | Crimp applicator with dies |
| SPS-01T-110 | AP-K2N | MK-L-SPS | MK/SPS-01-110 | APLMK SPS01-110 |
| | | — | — | — |
| SPS-41T-110 | | MK-L-SPS | MK/SPS-41-110 | APLMK SPS41-110 |
| — | | — | — | |
| SPS-01T-187 (-8) | | MK-L-SPS | MK/SPS-01-187 | APLMK SPS01-187 |
| — | | — | — | |
| SPS-51T-187 (-8) | | MK-L-SPS | MK/SPS-51-187 | APLMK SPS51-187 |
| — | | — | — | |
| SPS-82T-187 | | MK-L-SPS | MK/SPS-82-187 | APLMK SPS82-187 |
| — | | — | — | |
| SFPS-41T-187 (-8) | | MKF-L-PS187 | MK/SFPS-41-187 | APL SFPS41-187 |
| — | | — | — | |
| SPS-21T-205 (-5) | MK-L-SPS | MK/SPS-21-205 | APLMK SPS21-205 | |
| — | — | — | | |

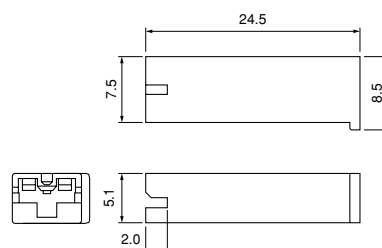
| Contact | Crimping machine | Applicator | | |
|-----------------|------------------|------------------|----------------|----------------------------|
| | | Crimp applicator | Dies | Crimp applicator with dies |
| SPS-51T-205 | AP-K2N | MK-L-SPS | MK/SPS-51-205 | APLMK SPS51-205 |
| | | — | — | — |
| SPS-21T-250 (S) | | MK-L-SPS | MK/SPS-21-250 | APLMK SPS21-250 |
| — | | — | — | |
| SPS-61T-250 (S) | | MK-L-SPS | MK/SPS-61-250 | APLMK SPS61-250 |
| — | | — | — | |
| SPS-91T-250 (S) | | MK-L-SPS | MK/SPS-91-250 | APLMK SPS91-250 |
| — | | — | — | |
| SFPS-61T-250 | | MKF-L-PS250 | MK/SFPS-61-250 | APL SFPS61-250 |
| — | | — | — | |
| SFPS-91T-250 | | MKF-L-PS9250 | MK/SFPS-91-250 | APL SFPS91-250 |
| — | | — | — | |

Housing

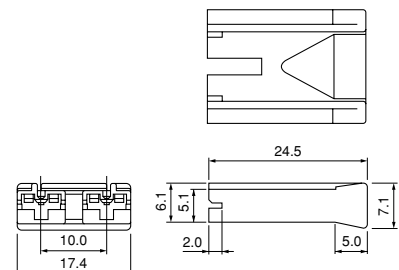
#110 Series PS-110



#187 Series PS-187



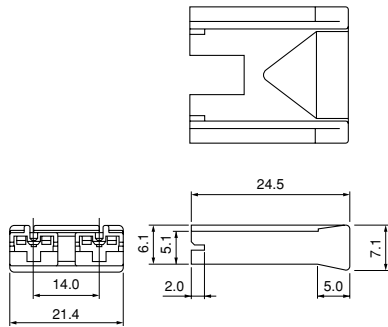
PS-187-2A-10



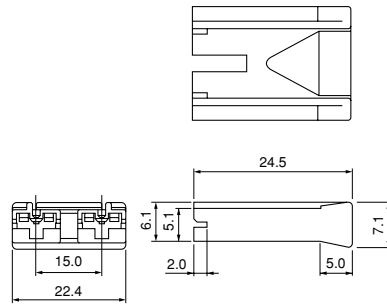
Housing

#187 Series

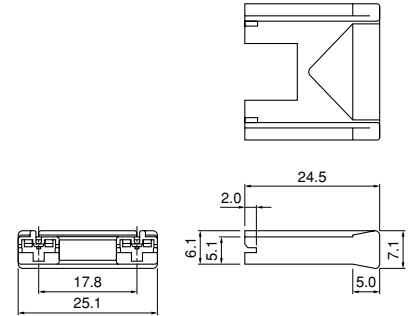
PS-187-2A-14



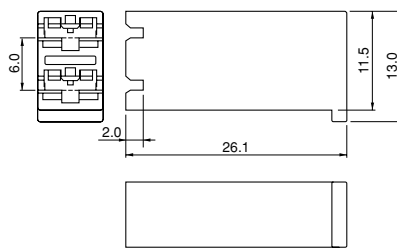
PS-187-2A-15



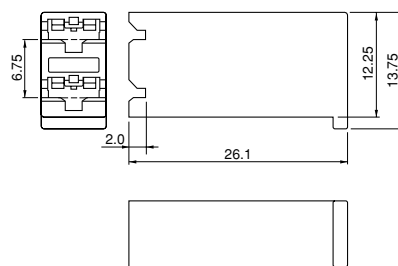
PS-187-2A-17.8



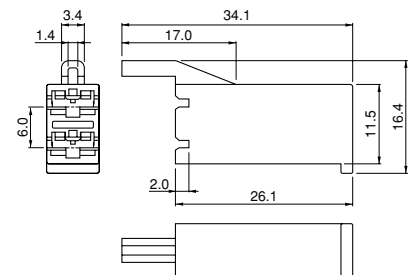
PS-187-2B



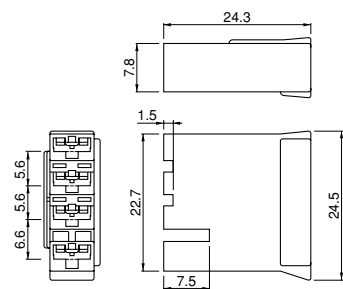
PS-187-2B-6.75



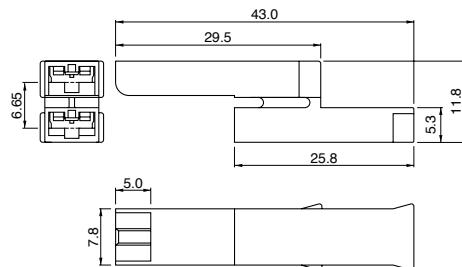
PS-187-2B1



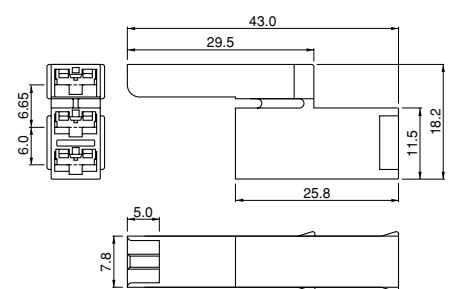
PS-187-4B



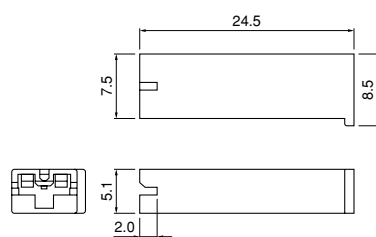
PS-187-2V



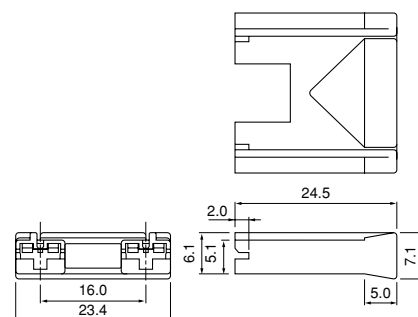
PS-187-3V



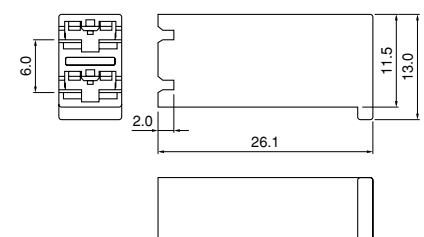
PS-187-8-H



PS-187-2A-16-8-H



PS-187-2B-8-H

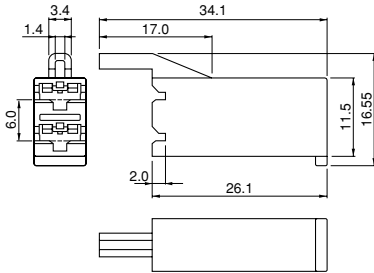


PS CONNECTOR

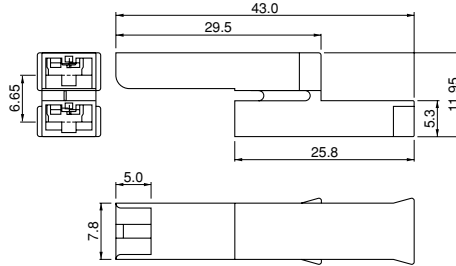
Housing

#187 Series

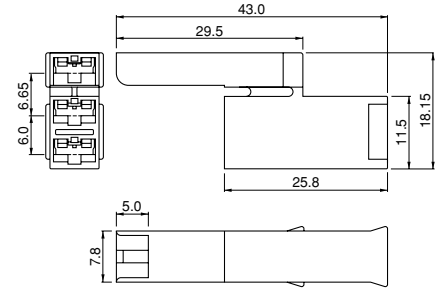
PS-187-2B1-8-H



PS-187-2V-8-H

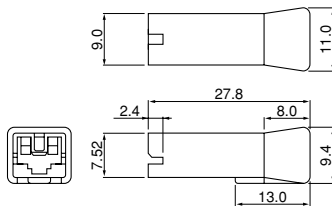


PS-187-3V-8-H



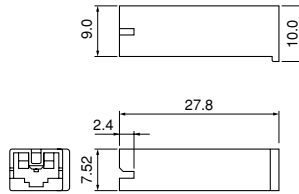
#250S Series

NPS-250-A

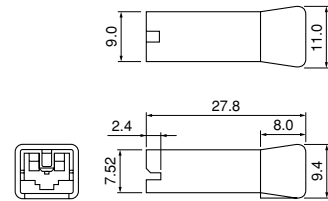


#250 Series

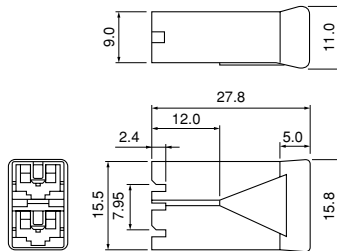
PS-250



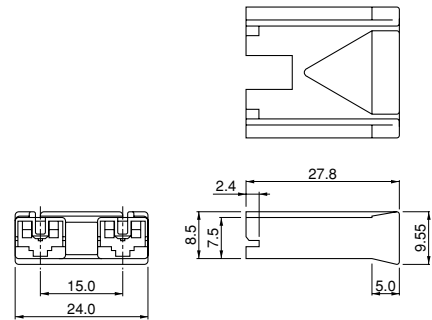
PS-250-A



PS-250-2B

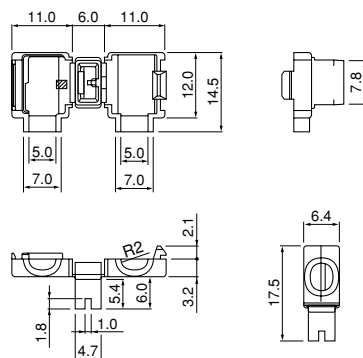


PS-250-2A-15

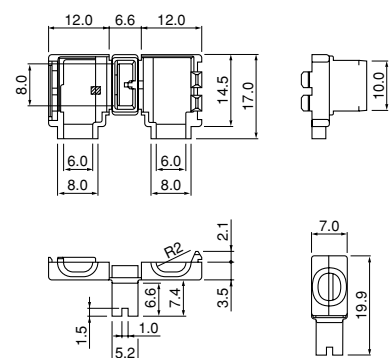


One-touch sleeve

FPS-187



FPS-250



PS CONNECTOR

Housing

| Series | Model No. | Q'ty / bag | Applicable terminal |
|------------------|-------------------|------------|--|
| #110 | PS-110 | 1,000 | SPS-01T-110, SPS-41T-110 |
| | PS-187 | 1,000 | |
| #187 | PS-187-2A-10 | 500 | SPS-01T-187 SPS-51T-187 SPS-82T-187 |
| | PS-187-2A-14 | 500 | |
| | PS-187-2A-15 | 500 | |
| | PS-187-2A-17.8 | 500 | |
| | PS-187-2B | 500 | |
| | PS-187-2B-6.75 | 500 | |
| | PS-187-2B1 | 500 | |
| | PS-187-4B | 500 | SPS-01T-187-8 SPS-51T-187-8 |
| | PS-187-2V | 500 | |
| | PS-187-3V | 500 | |
| | *PS-187-8-H | 1,000 | |
| | *PS-187-2A-16-8-H | 500 | |
| | *PS-187-2B-8-H | 500 | |
| | *PS-187-2B1-8-H | 500 | |
| #250S | NPS-250-A | 1,000 | SPS-21T-250S SPS-61T-250S SPS-91T-250S |
| | #250 | PS-250 | 1,000 |
| PS-250-A | | 500 | |
| PS-250-2B | | 500 | |
| PS-250-2A-15 | | 500 | |
| One-touch sleeve | FPS-187 | 500 | SFPS-41T-187 |
| | FPS-250 | 500 | SFPS-61T-250 |

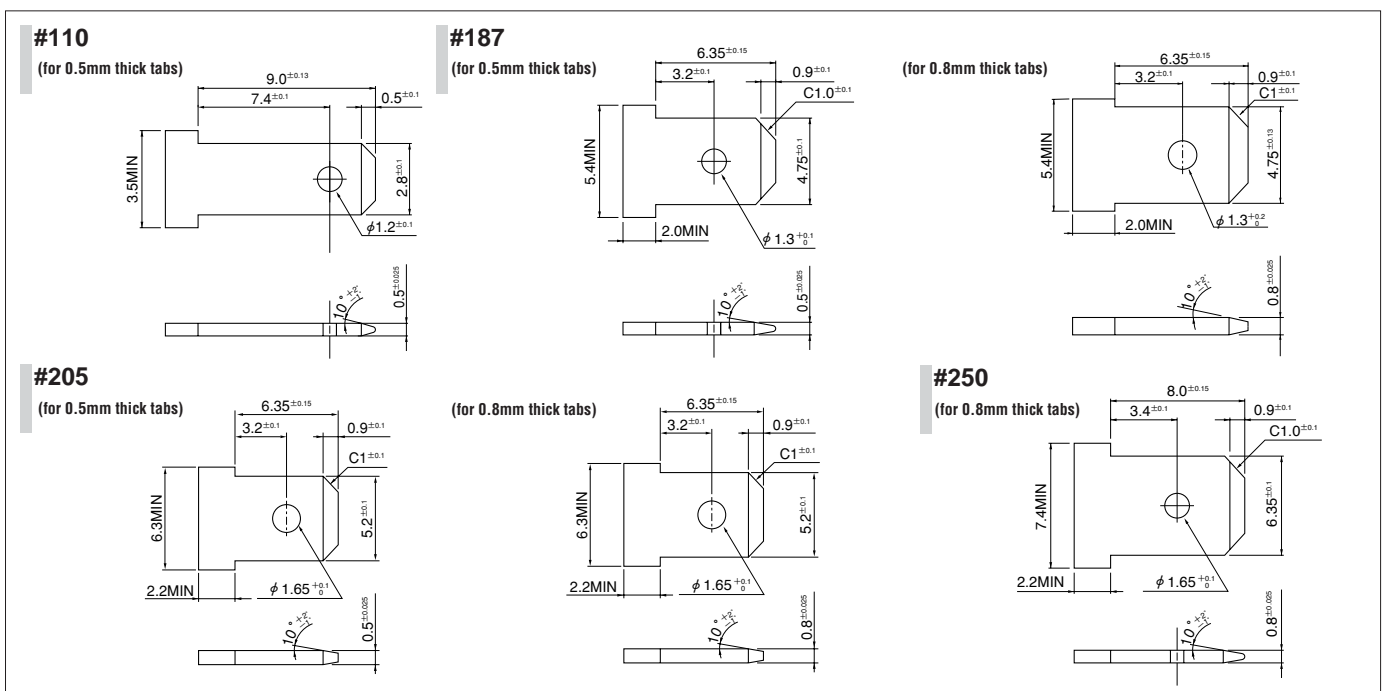
Material and Finish

PA 66, UL94V-0, natural (white)
UL94V-0, gray <*-marked housing... for 0.8mm thick tabs>

RoHS compliance

Note: FPS-187 and FPS-250 are UL recognized with File No. E55167 and CSA certified with File No. LR83372, but not TÜV approved.

Applicable tab



- Note: 1. Contact JST when using PS connector for Micro-switch.
2. Make sure there are no unneeded ribs or other protuberances on tab surfaces.
3. Use the brass product for material.
4. Contact JST when using PS-187-4B.