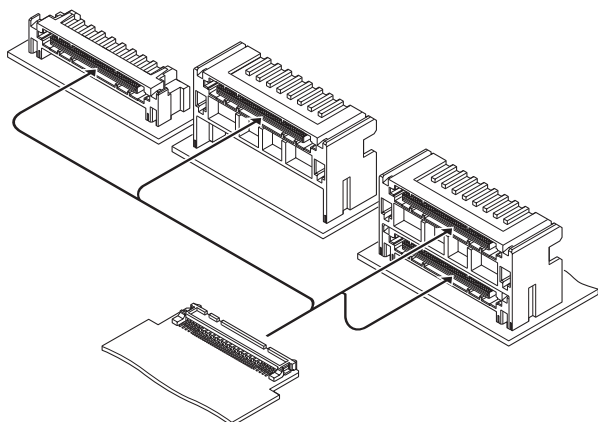


# RHM CONNECTOR

## 1.0mm pitch/Board-to-board connectors



**The plug consists of upper and lower parts in order to save space.**

**This connector enables also flexible application by using either upper or lower parts individually.**

- The upper and lower parts of plug can be used individually
- Reversible connection
- 8 positioning keys can be set

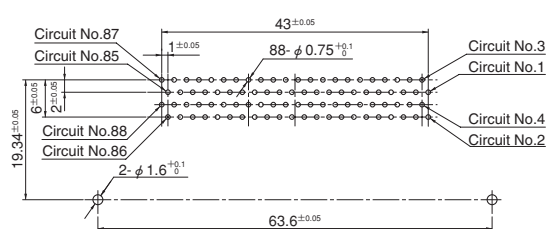
### Specifications

- Current rating: 0.5A AC, DC
- Voltage rating: 50V AC, DC
- Temperature range: -25°C to +85°C  
(including temperature rise in applying electrical current)
- Contact resistance: Initial value/100m Ω max.  
After environmental testing/150m Ω max.
- Insulation resistance: 50M Ω min.
- Withstanding voltage: 100V AC/minute
- Applicable PC board thickness: Receptacle/1.2mm  
Plug/1.6mm
- \* Compliant with RoHS.
- \* Refer to "General Instruction and Notice when using Terminals and Connectors" at the end of this catalog.
- \* Contact JST for details.

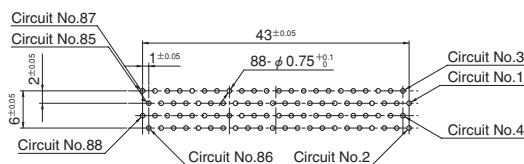
### PC board layout (viewed from component side)

#### Plug

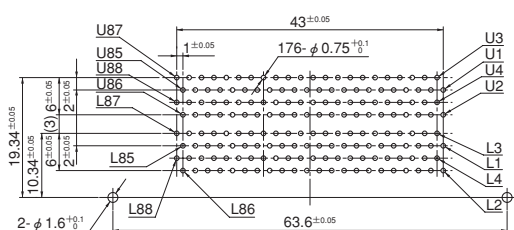
##### ● Upper



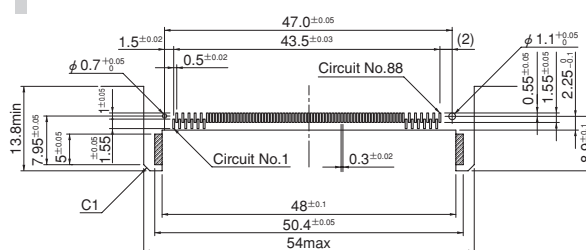
##### ● Lower



##### ● Upper and Lower



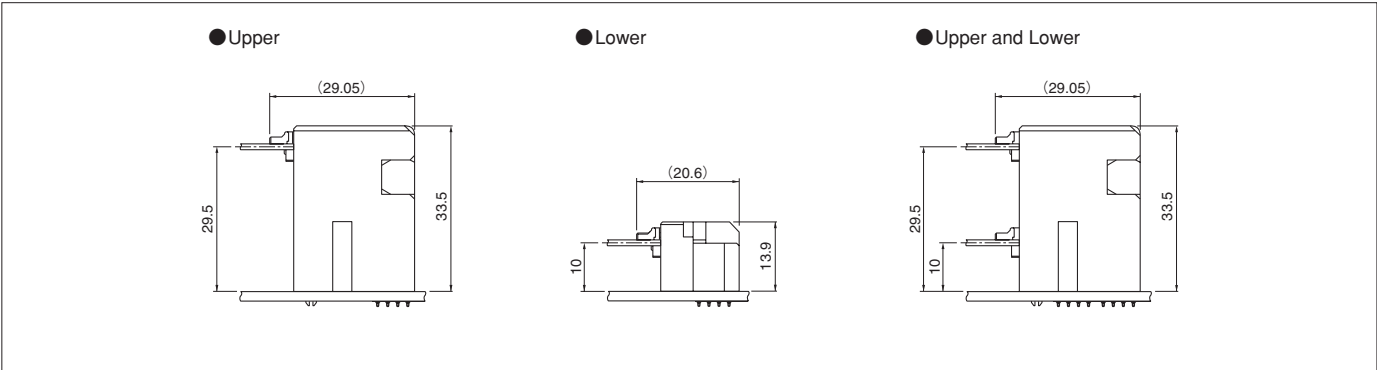
#### Receptacle



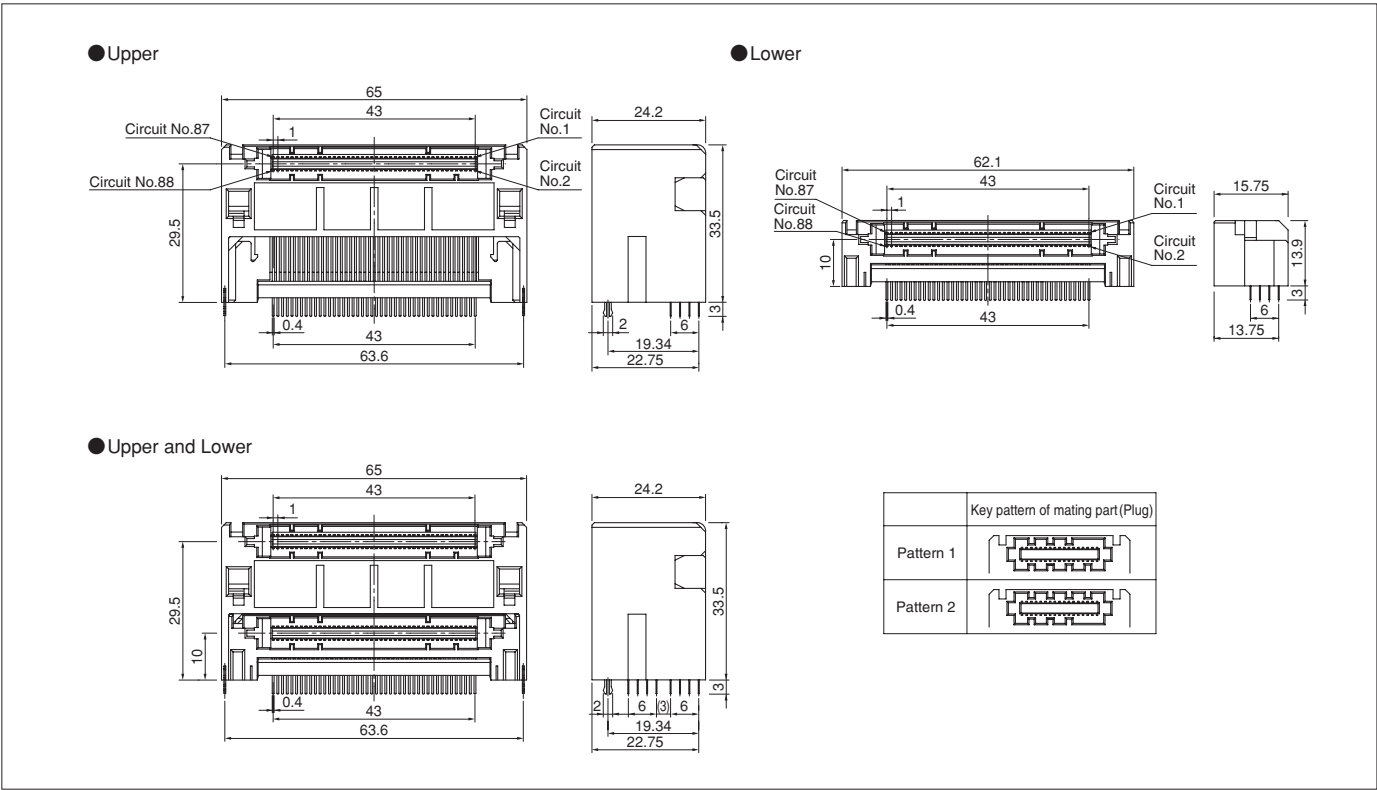
Note: 1. Tolerances for pierced hole pitch and pattern pitch are non-cumulative: ±0.05mm (Plug) and ±0.03mm (Receptacle) for all centers.  
2. Hole dimensions differ according to the kind of PC board and piercing method.  
The dimensions above should serve as a guideline. Contact JST for details.

# RHM CONNECTOR

## Assembly layout



## Plug



### Upper

Circuits	Key pattern of mating part	Model No.	Q'ty / box
88	Pattern 1	<b>RHM-88PU-SDK11-1C</b>	72
	Pattern 2	<b>RHM-88PU-SDK11-2C</b>	

### Lower

Circuits	Key pattern of mating part	Model No.	Q'ty / box
88	Pattern 1	<b>RHM-88PL-SDK11-1</b>	198

### Upper and Lower

Circuits	Key pattern of mating part	Model No.	Q'ty / box
88	Upper: Pattern 1 Lower: Pattern 1	<b>RHM-176P-SDK11-U1L1C</b>	72
	Upper: Pattern 2 Lower: Pattern 1	<b>RHM-176P-SDK11-U2L1C</b>	

### Material and Finish

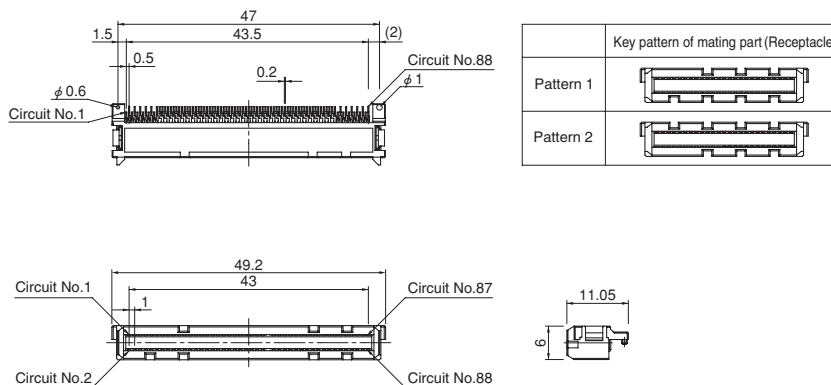
Contact: Copper alloy, nickel-undercoated, Mating part; gold-plated  
Solder tail; tin/copper alloy-plated

Housing: Glass-filled PBT, UL94V-0  
Locator: Glass-filled PBT, UL94V-0  
Cover (Upper): Glass-filled PBT, UL94V-0  
Reinforcing hook: Copper alloy, tin-plated (reflow treatment)

### RoHS compliance

# RHM CONNECTOR

## Receptacle



Circuits	Key pattern of mating part	Model No.	Q'ty / box
88	Pattern 1	<b>RHM-88R-SSK01-1</b>	648
	Pattern 2	<b>RHM-88R-SSK01-2</b>	

### Material and Finish

Contact: Copper alloy, nickel-undercoated, selective gold-plated  
Housing: Glass-filled synthetic resin, UL94V-0  
Solder tab: Copper alloy, nickel-undercoated, gold-plated

**RoHS compliance**