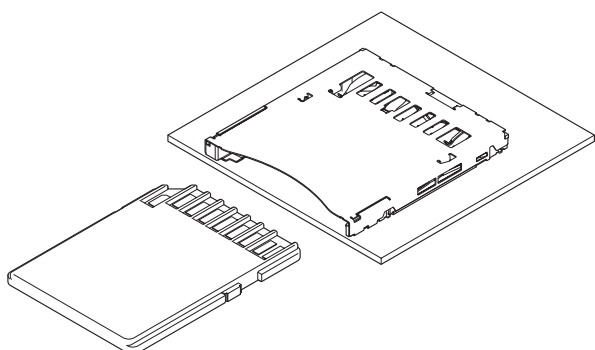


# SDK CONNECTOR Reverse Type



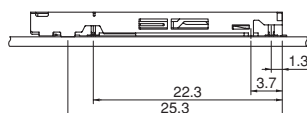
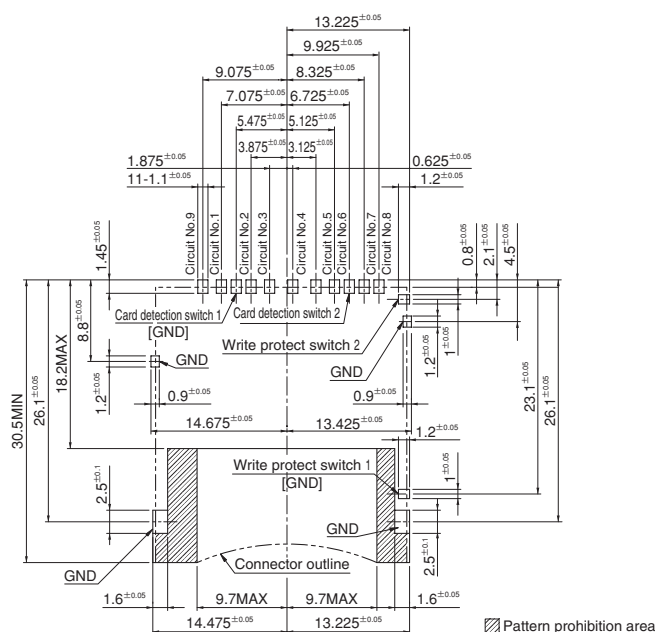
**This connector is designed for SD Card & MMC (Multi media card), complying with the SD Card Association standard, and is with the switch for Write-protection & Card-detection. And due to Push-push mechanism design, its card can be easily ejected by push-push operation.**

- Space saving design, 27.1mm(W) × 30.1mm(D) × 2.8mm(H)
- The enough amount of card ejection (8.4mm)
- 10,000 mating cycles is guaranteed.
- Prevention of reverse card insertion

## Specifications

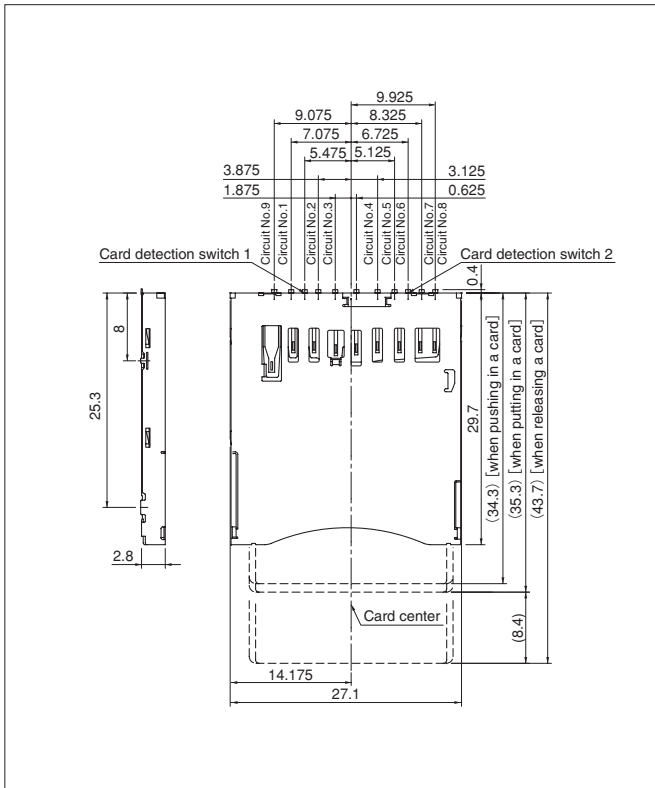
- Current rating: 0.5A AC, DC
- Voltage rating: 5V AC, DC
- Temperature range: 25°C to +85°C  
(including temperature rise in applying electrical current)
- Recommended PC board thickness: 0.6 to 1.0mm  
{When it is mounted on the FPC, recommendable reinforcing layer thickness is 0.6mm min.}
- Contact resistance:  
(Signal part) Initial value/30m Ω max.  
After environmental testing/60m Ω max.  
(Switch part) Initial value/100m Ω max.  
After environmental testing/100m Ω max.
- Insulation resistance: 1,000M Ω min. at 500V DC
- Withstanding voltage: 500V AC/minute
- \* Compliant with RoHS.
- \* Refer to "General Instruction and Notice when using Terminals and Connectors" at the end of this catalog.
- \* Contact JST for details.

## PC board layout (viewed from component side) and Assembly layout



# SDK CONNECTOR Reverse Type

## Connector



Model No.	Q'ty / reel
SDKR-9BRS-K13-G-TB	450

### Material and Finish

Housing, Guide: Heat resisting resin, UL94V-0  
 Contact: Copper alloy, nickel-undercoated, selective gold-plated  
 Card detection switch: Copper alloy, nickel-undercoated, gold-plated  
 Write protect switch: Copper alloy, nickel-undercoated, selective gold-plated, selective tin-plated (reflow treatment)  
 Card lock, Joint rod, Spring: Stainless  
 Shell: Stainless, nickel-undercoated, selective tin-plated (reflow treatment)

**RoHS compliance** This product displays (LF)(SN) on a label.