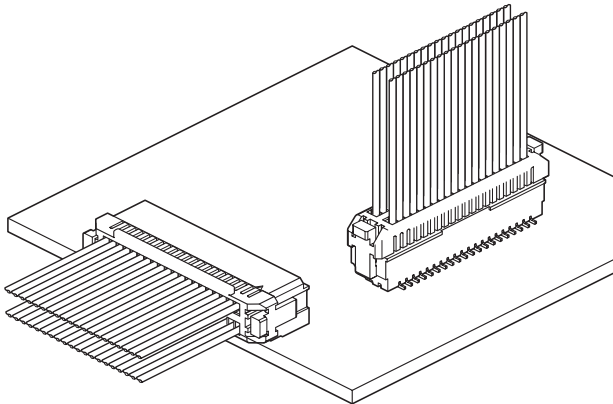


SHLD CONNECTOR

1.0mm pitch/Disconnectable Crimp style connectors



Developed for PDP, LCD or small electronics equipment.
This is a dual-row small crimp type connector with a secure locking system or without-designed for different applications.
The PC board layout is compatible with that of existing SHD connector, which allows for replacement of the above existing connector.

- Secure housing lock structure (for locking type)
- Prevent deformation of contacts
- A contact lock structure
- Strong structure against external force

Specifications

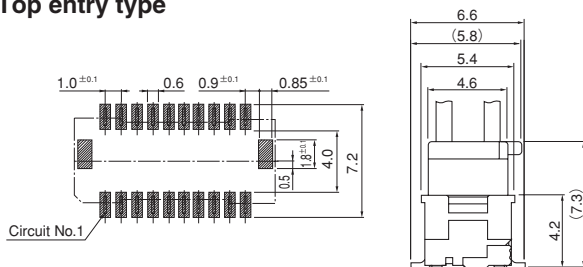
- Current rating: 1.0A AC, DC (AWG #28)
- Voltage rating: 50V AC, DC
- Temperature range: -25°C to +85°C
(including temperature rise in applying electrical current)
- Contact resistance: Initial value/30m Ω max.
After environmental testing/40m Ω max.
- Insulation resistance: 100M Ω min.
- Withstanding voltage: 500V AC/minute
- * Compliant with RoHS.
- * Refer to "General Instruction and Notice when using Terminals and Connectors" at the end of this catalog.
- * Contact JST for details.

Standards

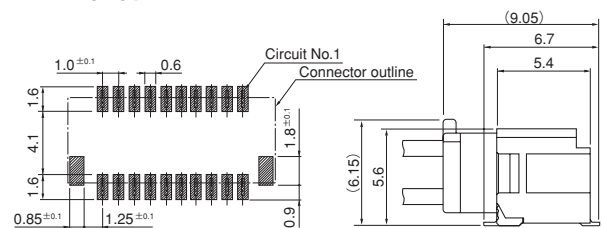
Recognized E60389

PC board layout (viewed from component side) and Assembly layout

Top entry type

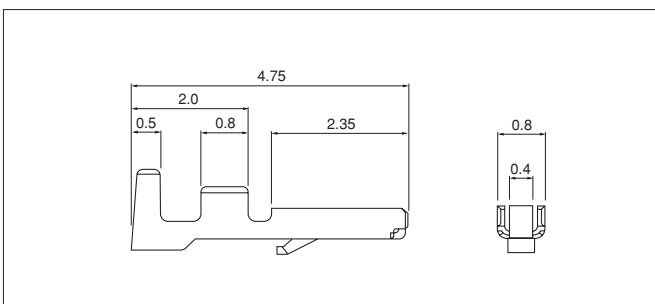


Side entry type



Note: 1. Tolerances are non-cumulative: ±0.1mm for all centers.
 2. The dimensions above should serve as a guideline. Contact JST for details.

Contact



| Model No. | Applicable wire | | Insulation O.D. (mm) | Q'ty / reel |
|------------------|-----------------|-------|----------------------|-------------|
| | mm ² | AWG# | | |
| SSHL-003GA1-P0.2 | 0.032~0.08 | 32~28 | 0.4~0.8 | 30,000 |

Material and Finish

Phosphor bronze, nickel-undercoated, Mating part; gold-plated, Crimping part; gold-plated

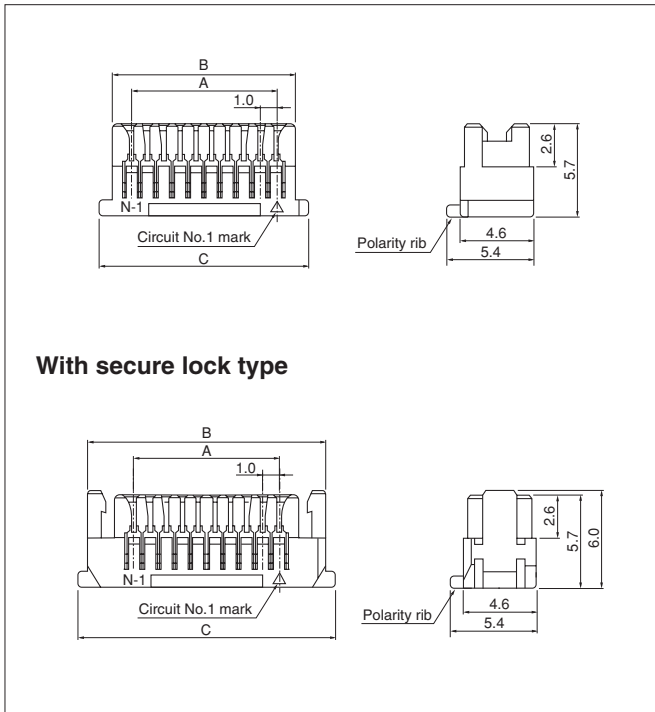
RoHS compliance

| Contact | Crimping machine | Applicator | | |
|------------------|------------------|------------------|-----------------|----------------------------|
| | | Crimp applicator | Dies | Crimp applicator with dies |
| SSHL-003GA1-P0.2 | AP-K2N | MKS-L-10-3 | MK/SSH/L-003-02 | APLMK SSH/L003-02 |
| | | *MKS-SC | SC/SSH/L-003-02 | APLSC SSH/L003-02 |

Note: *Strip-crimp applicator
 Contact JST for applicable wires in case that it is not usable due to wire size.

SHLD CONNECTOR

Housing



| Circuits | Model No. | Dimensions (mm) | | | Q'ty / bag |
|----------|-----------------------|-----------------|------|------|------------|
| | | A | B | C | |
| 20 | SHLDP-20V-S(B) | 9.0 | 11.4 | 13.0 | 3,500 |
| 30 | SHLDP-30V-S(B) | 14.0 | 16.4 | 18.0 | 2,500 |
| 40 | SHLDP-40V-S(B) | 19.0 | 21.4 | 23.0 | 2,000 |
| 50 | SHLDP-50V-S(B) | 24.0 | 26.4 | 28.0 | 1,500 |

Material

PBT, UL94V-0, natural (white)

RoHS compliance

With secure lock type

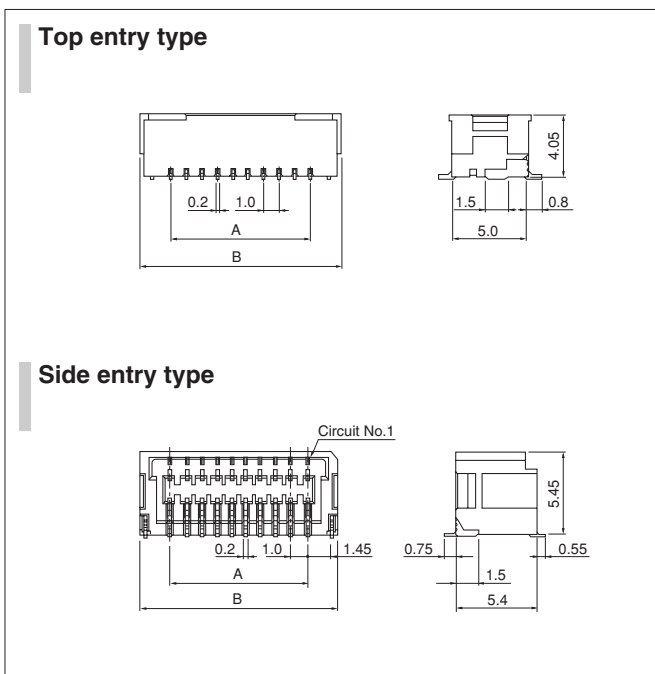
| Circuits | Model No. | Dimensions (mm) | | | Q'ty / bag |
|----------|-------------------------|-----------------|------|------|------------|
| | | A | B | C | |
| 20 | SHLDP-20V-S-1(B) | 9.0 | 14.7 | 15.7 | 3,000 |
| 30 | SHLDP-30V-S-1(B) | 14.0 | 19.7 | 20.7 | 2,000 |
| 40 | SHLDP-40V-S-1(B) | 19.0 | 24.7 | 25.7 | 1,500 |
| 50 | SHLDP-50V-S-1(B) | 24.0 | 29.7 | 30.7 | 1,200 |

Material

PBT, UL94V-0, natural (white)

RoHS compliance

Shrouded header



| Circuits | Model No. | | Dimensions (mm) | | Q'ty / reel |
|----------|--------------------------|-------------------------|-----------------|------|-------------|
| | Top entry type | Side entry type | A | B | |
| 20 | BM20B-SHLDS-G-TFT | SM20B-SHLDS-G-TF | 9.0 | 13.0 | 1,000 |
| 30 | BM30B-SHLDS-G-TFT | SM30B-SHLDS-G-TF | 14.0 | 18.0 | 1,000 |
| 40 | BM40B-SHLDS-G-TFT | SM40B-SHLDS-G-TF | 19.0 | 23.0 | 1,000 |
| 50 | BM50B-SHLDS-G-TFT | SM50B-SHLDS-G-TF | 24.0 | 28.0 | 1,000 |

Material and Finish

Contact: Phosphor bronze, nickel-undercoated, gold-plated
 Wafer: PA, UL94V-0, natural (ivory)
 Solder tab: Brass, copper-undercoated, tin-plated (reflow treatment)

RoHS compliance

This product displays (LF)(SN) on a label.