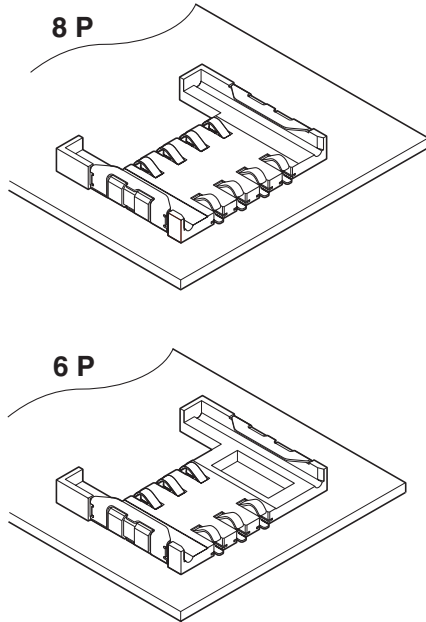




# SCK CONNECTOR

2.54mm pitch



The connector is designed for the SIM Card, complying with the GSM11.11 standard, which will be used in the European digital GSM mobile phones. This connector is also suitable for the USIM Card to be used in the Third Generation (3G) mobile network (W-CDMA).

- Durability
- Abundant variations
- Embossed tape for automatic mounting

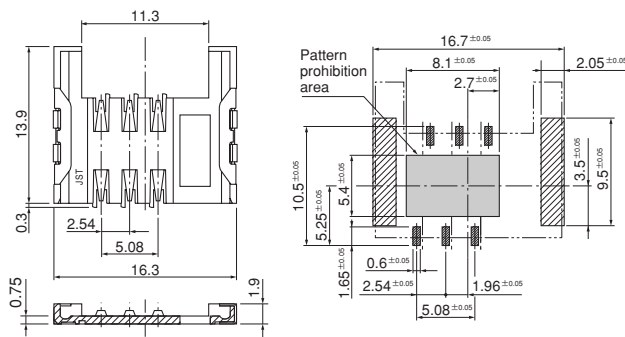
## Specifications

- Current rating: 1.0A AC, DC
- Voltage rating: 30V AC, DC
- Temperature range: -25°C to +85°C  
(including temperature rise in applying electrical current)
- Contact resistance: Initial value/40m Ω max.  
After environmental testing/60m Ω max.
- Insulation resistance: 1,000M Ω min.
- Withstanding voltage: 500V AC/minute
- \* Evaluate connector in actual equipment before use.
- \* Compliant with RoHS.
- \* Refer to "General Instruction and Notice when using Terminals and Connectors" at the end of this catalog.
- \* Contact JST for details.

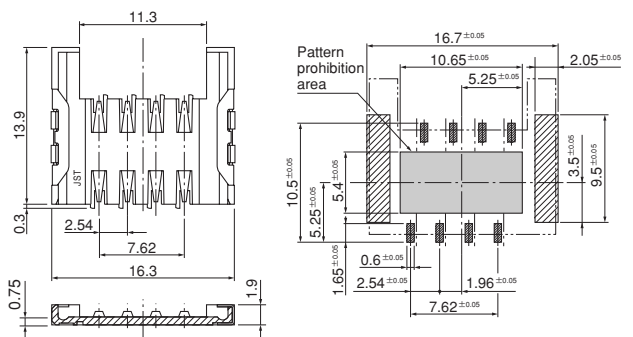
## Connector and PC board layout (viewed from component side)

1.9mm height

<6 circuits>



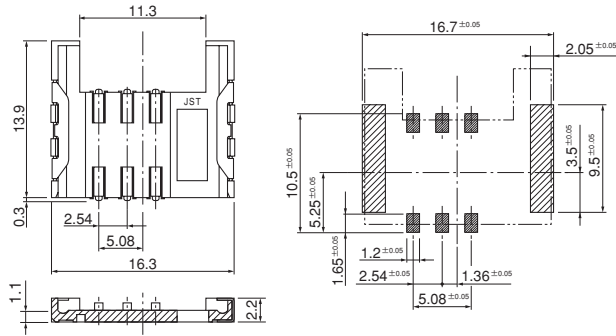
<8 circuits>



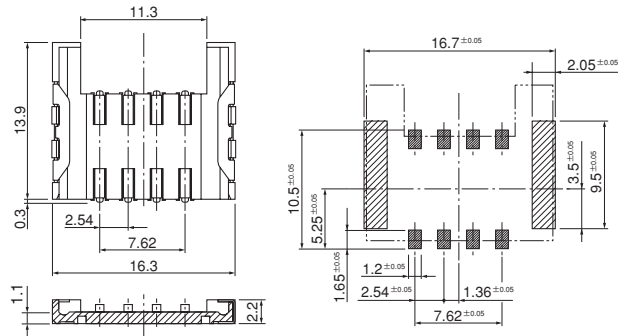
# SCK CONNECTOR

## Connector

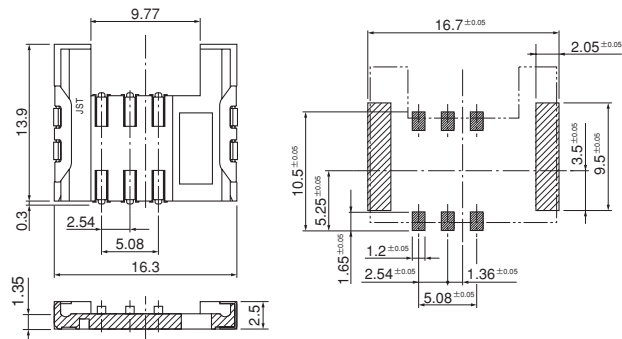
2.2mm height  
<6 circuits>



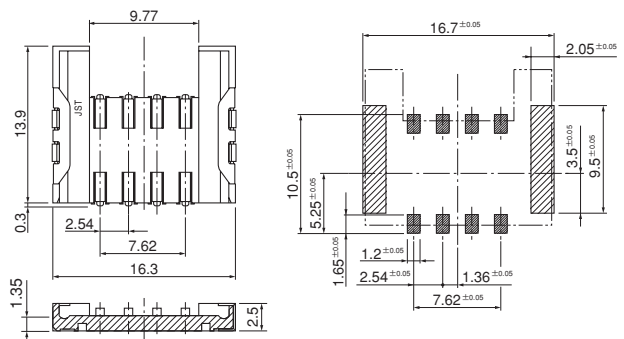
<8 circuits>



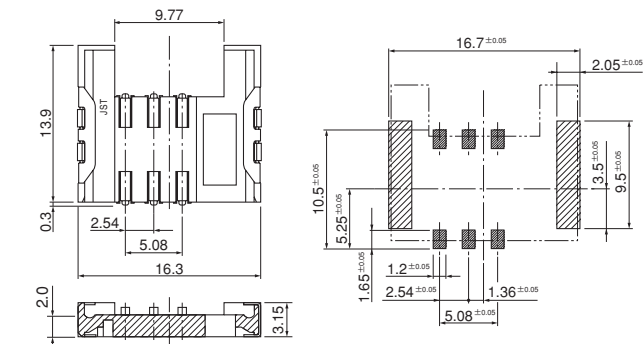
2.5mm height  
<6 circuits>



<8 circuits>



3.2mm height  
<6 circuits>



Circuits	Model No.			
	Height (mm)			
	1.9	2.2	2.5	3.2
6	SCK-6C-02PT-TF	SCK-6S-02PT-TF	SCK-6A-02PT-TF	SCK-6B-02PT-TF
8	SCK-8C-02PT-TF	SCK-8S-02PT-TF	SCK-8A-02PT-TF	—
Q'ty / reel	1,200	1,000	1,000	500

### Material and Finish

Contact: Copper alloy, nickel-undercoated, gold-plated  
Housing: LCP, UL94V-0, black  
Solder tab: Copper alloy, tin-plated (reflow treatment)