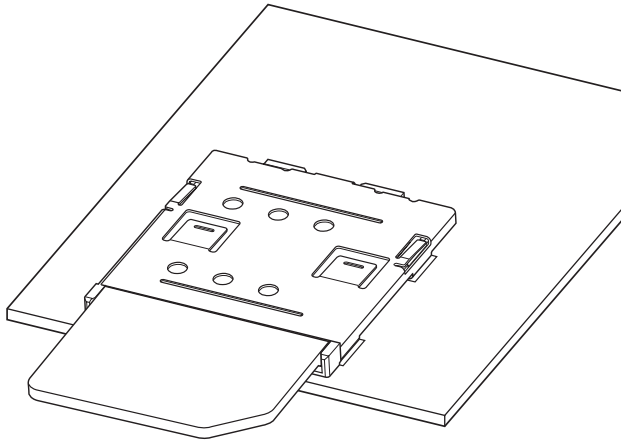


# SCR CONNECTOR

1.52mm pitch



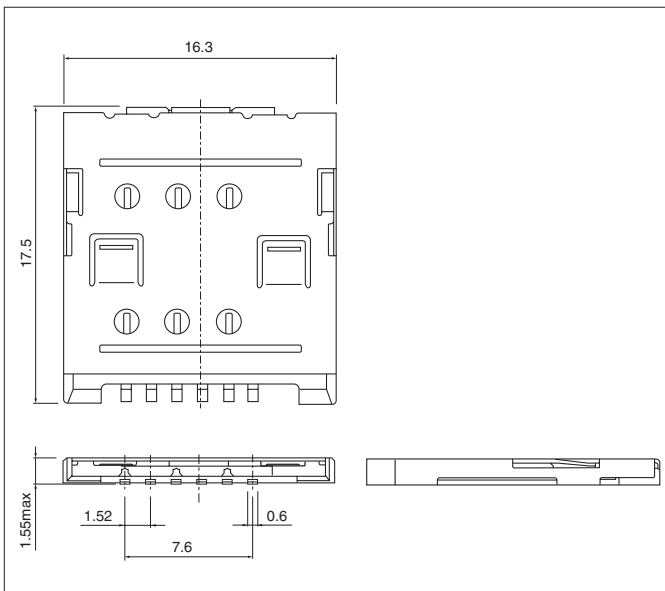
**This connector is designed to achieve low profile and space saving as well as keeping basic performance of SIM (UIM) card connector as we have caught a trend that a mobile phone progresses to thinner type.**

- Connection system by manual inserting
- A strong shock such as a fall is endured.

## Specifications

- Current rating: 0.7A AC, DC
- Voltage rating: 30V AC, DC
- Temperature range: -25°C to +85°C  
(including temperature rise in applying electrical current)
- Contact resistance: Initial value/50mΩ max.  
After environmental testing/60mΩ max.  
(variation from initial value)
- Insulation resistance: 500MΩ min.
- Withstanding voltage: 500V AC/minute
- Compliant with RoHS.
- \* Refer to "General Instruction and Notice when using Terminals and Connectors" at the end of this catalog.
- \* Contact JST for details.

## Connector

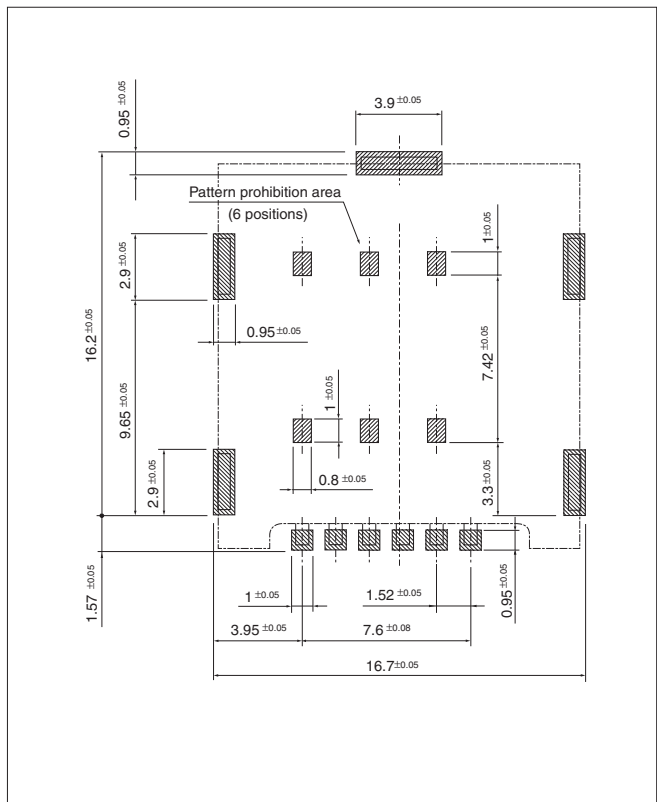


Model No.	Q'ty / reel
SCR-6S-2K-ST33-S-TB	1,500

### Material and Finish

Contact: Copper alloy, nickel-undercoated, gold-plated  
Housing: Heat resisting resin, UL94V-0  
Shell: Stainless, nickel-undercoated, gold-plated

## PC board layout



### RoHS compliance

Note: This products listed above are supplied on embossed-tape.