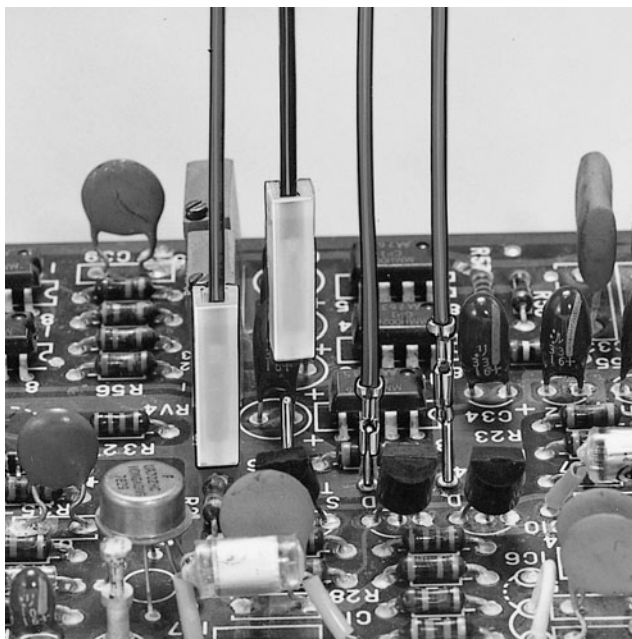


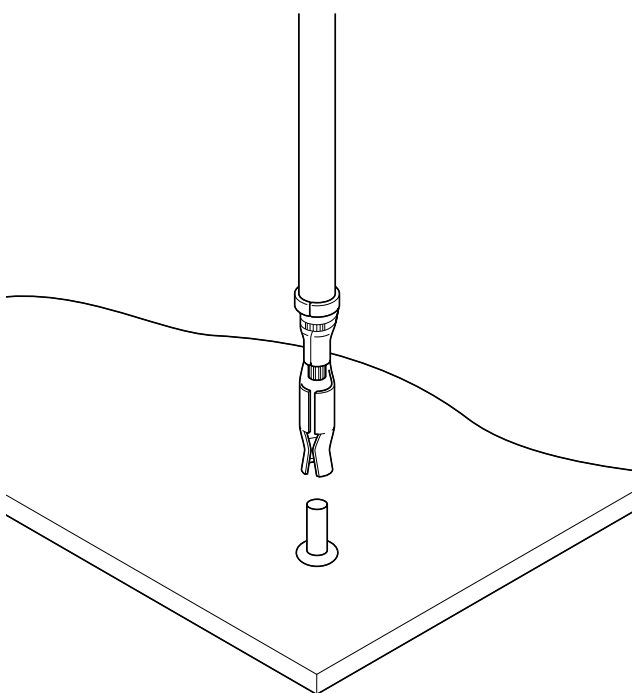
SMF CONNECTOR

Disconnectable Crimp style connector for 1.0mm and 1.3mm diameter pins



This small single-circuit connector connects to 1.0mm and 1.3mm diameter pins and requires only minimal space for connection of wires to high-density printed circuit boards.

The SMF connector has a funnel shaped lead-in to ease insertion and to ensure a balance with its high retaining force.



Specifications

- Current rating: 5A AC, DC
- Temperature range: -25°C to +85°C
(including temperature rise in applying electrical current)
- Contact resistance: Initial value/10m Ω max.
After environmental testing/15m Ω max.
- Insulation resistance: 1,000M Ω min.
- Withstanding voltage: 500V AC/minute
- Applicable wire: AWG #26 to #20
- Applicable PC board thickness: 1.6mm
- * RoHS compliant products are published.
- * Temperature Range:
The aforementioned temperature range of this connector is described in JST Standard Product Specification.
- * Refer to "General Instruction and Notice when using Terminals and Connectors" at the end of this catalog.
- * Contact JST for details.

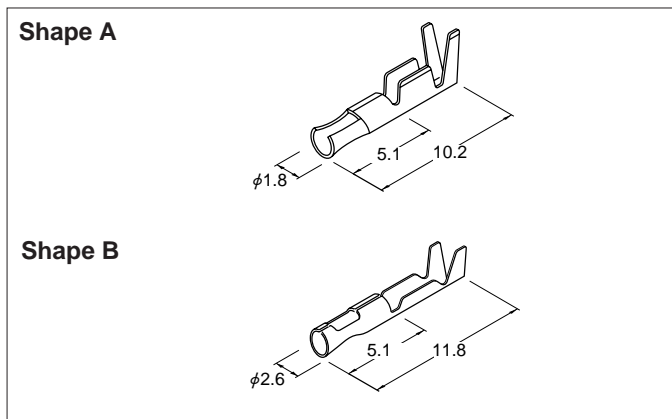
Standards

Recognized E60389

Certified LR20812

SMF CONNECTOR

Contact



| Model No. | Applicable wire | | | Shape | Applicable pin | Q'ty / reel |
|--------------------|-----------------|----------|---------------------|-------|----------------|-------------|
| | mm ² | AWG # | Insulation O.D.(mm) | | | |
| SMF-01T-1.0 | 0.13 to 0.5 | 26 to 20 | 1.3 to 2.7 | A | RT-01T-1.0B | 5,000 |
| SMF-01T-1.3 | | | | B | RT-01T-1.3B | 4,000 |

Material and Finish

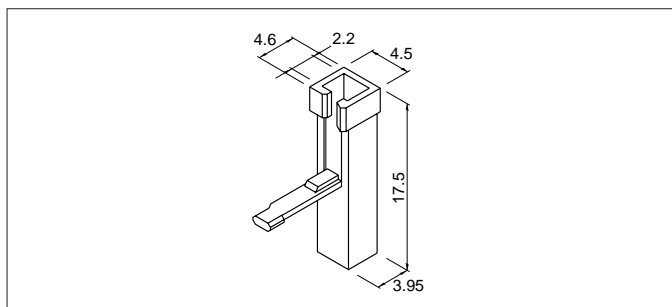
Brass, tin-plated (reflow treatment)

RoHS compliance

Note:

Contact JST if you require shielded wires or other special wires, or if two leads must be crimped in one contact.

Housing



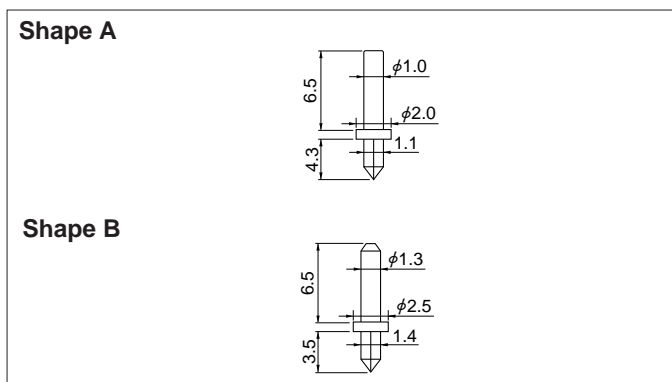
| Model No. | Circuit | Insulation O.D.(mm) | Applicable contact | Q'ty / bag |
|---------------|---------|---------------------|--------------------|------------|
| 1P-SMF | 1 | 1.3 to 1.7 | SMF-01T-1.0 | 1,000 |

Material

PA 66, UL94V-2, natural (white)

RoHS compliance

Pin



| Model No. | Shape | Applicable PC board | | Q'ty / box |
|--------------------|-------|---------------------|-----------------------------------|------------|
| | | Thickness (mm) | Hole diameter (mm) [Reference] | |
| RT-01T-1.0B | A | 1.6 | 1.0 ±0.05 | 20,000 |
| RT-01T-1.3B | B | 1.6 | 1.25 ±0.05 | 15,000 |

Material and Finish

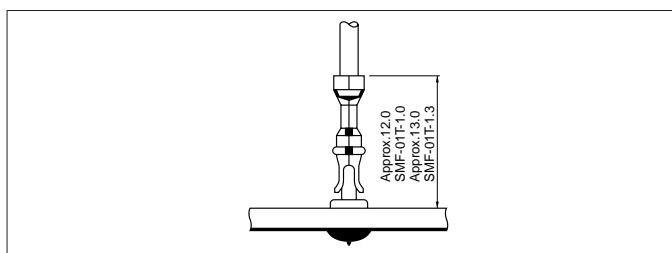
Brass, nickel-undercoated, tin/copper alloy-plated

RoHS compliance

Note:

Hole dimensions may differ according to the kind of PC board and piercing method.

Assembly layout



Crimping machine, Applicator

| Contact | Crimping machine | Crimp applicator | Dies | Crimp applicator with dies |
|--------------------|------------------|------------------|--------------|----------------------------|
| SMF-01T-1.0 | AP-K2N | MKS-L | MK/SMF-01-10 | APLMK SMF01-10 |
| | | - | - | - |

| Contact | Crimping machine | Crimp applicator | Dies | Crimp applicator with dies |
|--------------------|------------------|------------------|--------------|----------------------------|
| SMF-01T-1.3 | AP-K2N | MKS-L | MK/SMF-01-13 | APLMK SMF01-13 |
| | | - | - | - |