

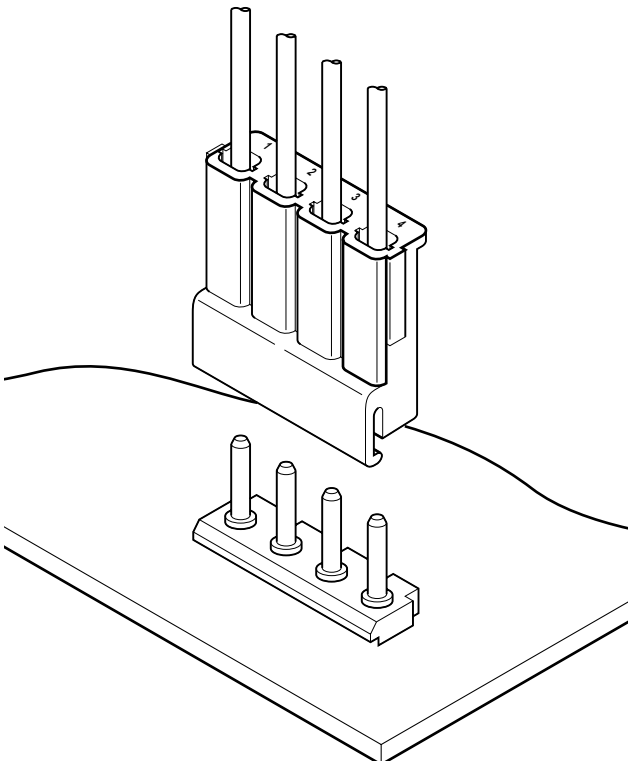
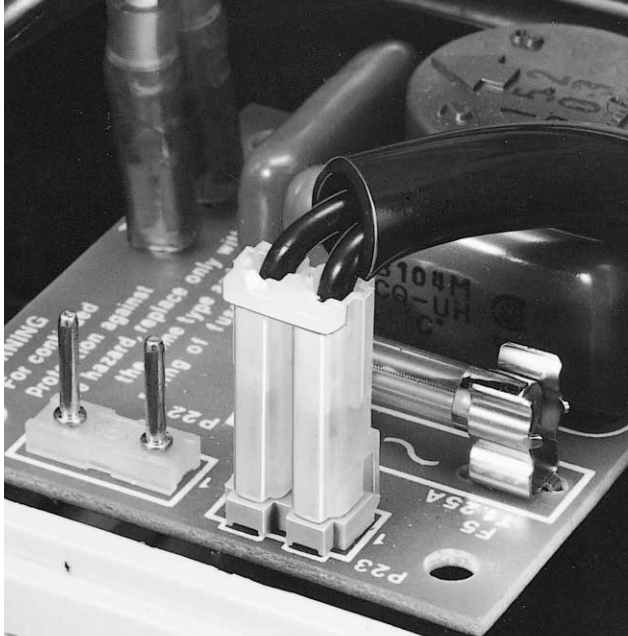
JST

Crimp

5.0mm
pitch

SV CONNECTOR

Disconnectable Crimp style connectors



Features

• Anti-misinsertion feature

The directional features of the housing prevent reverse contact insertion.

• Locking mechanism

The housings with two or four circuits have locking mechanisms. This feature also provides polarization so that the housing cannot be mismatched with the header.

Specifications

- Current rating: 5A AC, DC (AWG #20)
- Voltage rating: 250V AC, DC
- Temperature range: -25°C to +85°C
(including temperature rise in applying electrical current)
- Contact resistance: Initial value/10m Ω max.
After environmental testing/15m Ω max.
- Insulation resistance: 1,000M Ω min.
- Withstanding voltage: 1,500V AC/minute
- Applicable wire: AWG #24 to #20
- Applicable PC board thickness: 1.6mm
- * RoHS compliant products are published.
- * Refer to "General Instruction and Notice when using Terminals and Connectors" at the end of this catalog.
- * Contact JST for details.

Standards

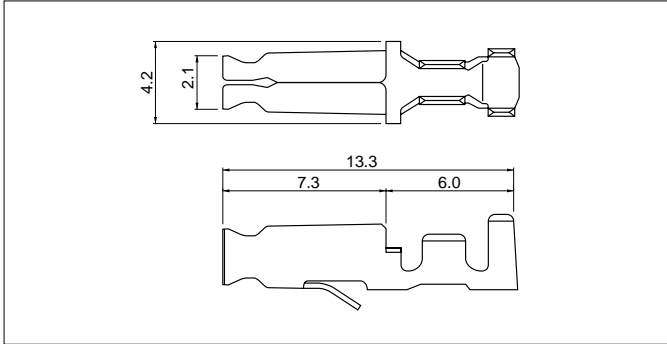
Recognized E60389

Certified LR20812

R75171

SV CONNECTOR

Contact



Model No.	Applicable wire			Q'ty / reel
	mm ²	AWG #	Insulation O.D. (mm)	
SVF-01T-1.5N	0.2 to 0.5	24 to 20	1.5 to 2.5	4,000

Material and Finish

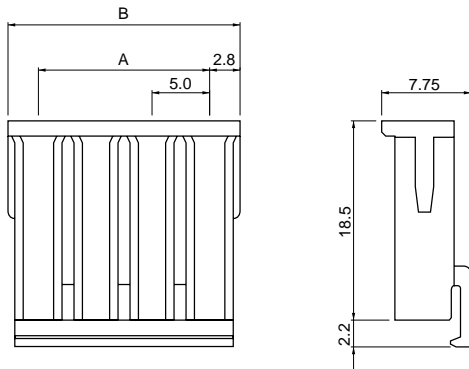
Brass, tin-plated (reflow treatment)

RoHS compliance

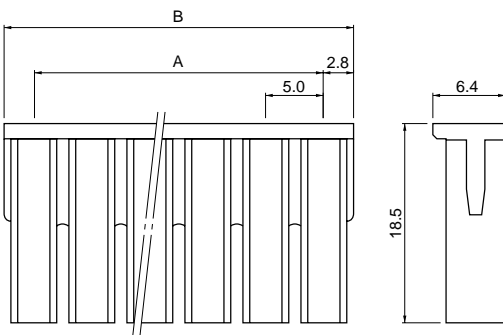
Note: Contact JST for details if you require shielded wires, thin wires or other special wires, or if two wires must be crimped in one contact.

Housing

Shape A



Shape B



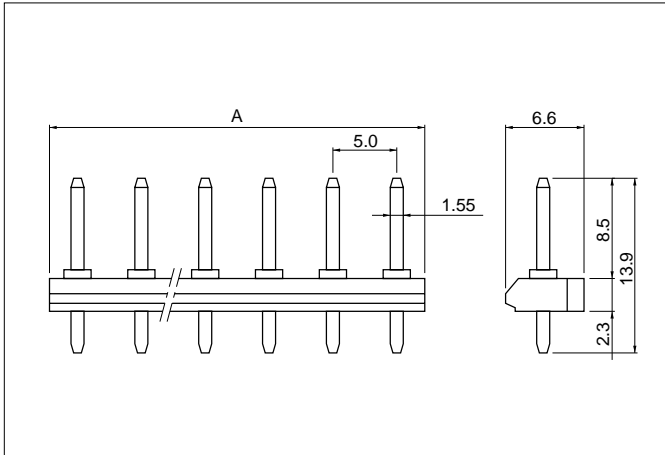
Cir-cuits	Model No.	Shape	Dimensions (mm)		Q'ty / bag
			A	B	
2	S 2P-SVF	A	5.0	10.6	1,000
4	S 4P-SVF	A	15.0	20.6	500
6	S 6P-SVF	B	25.0	30.6	500
8	S 8P-SVF	B	35.0	40.6	200
10	S10P-SVF	B	45.0	50.6	200

Material

PA 6, UL94V-2, natural (white)

RoHS compliance

Header



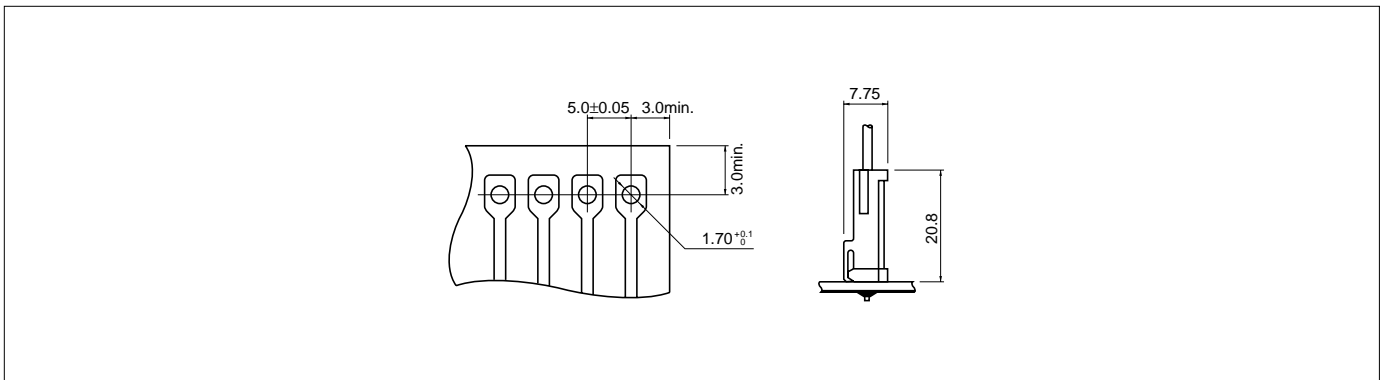
Cir-cuits	Model No.	Dimension A (mm)	Q'ty / box
2	RTB-1.5-02F	10.0	1,000
4	RTB-1.5-04F	20.0	500
6	RTB-1.5-06F	30.0	250
8	RTB-1.5-08F	40.0	200
10	RTB-1.5-10F	50.0	100

Material and Finish

Post: Brass, nickel-undercoated, tin/copper alloy-plated
 Wafer: Glass filled PA 66, UL94V-0, natural (ivory)

RoHS compliance This product displays (LF) on a label.

PC board layout (viewed from soldering side) and Assembly layout



Note:

1. Tolerances are non-cumulative: $\pm 0.05\text{mm}$ for all centers.
2. Hole dimensions differ according to the kind of PC board and piercing method. The dimensions above should serve as a guideline. Contact JST for details.

Crimping machine, Applicator

Contact	Crimping machine	Crimp applicator	Dies	Crimp applicator with dies
SVF-01T-1.5N	AP-K2N	MKS-L	MK/SVF-01-15N	APLMK SVF01-15N
		-	-	-