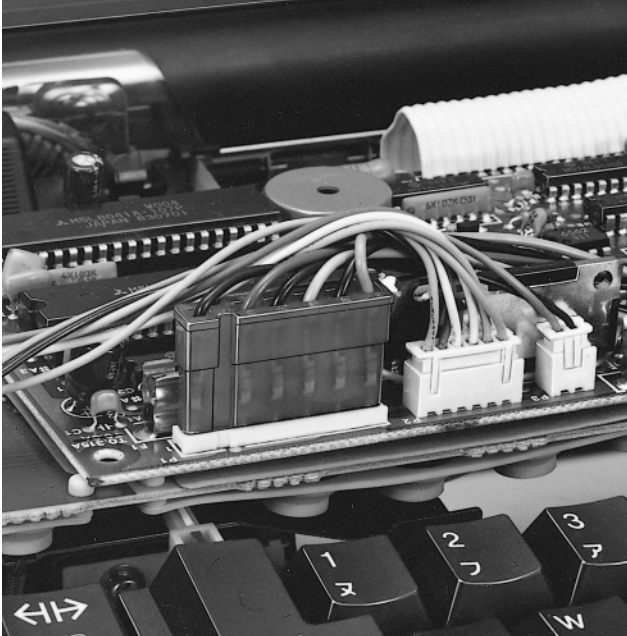


JST

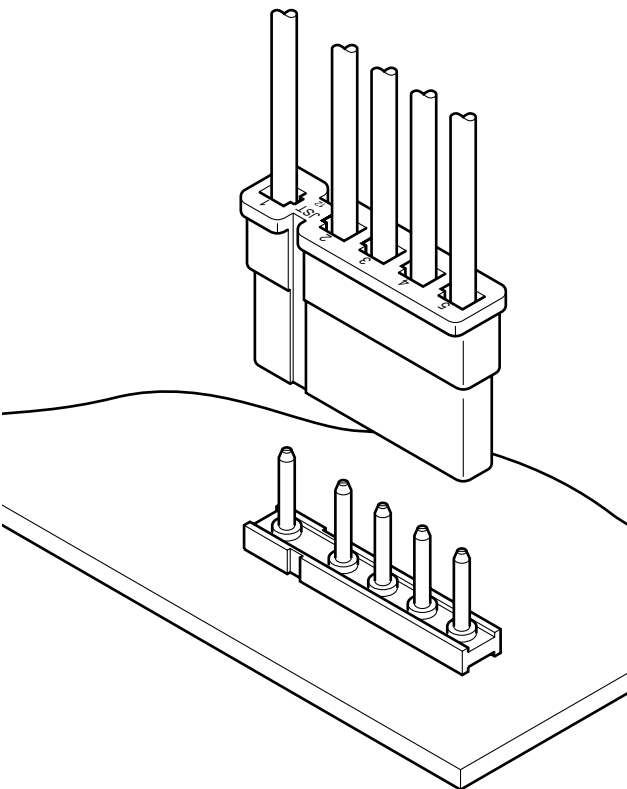
Crimp

5.0mm
pitch

V CONNECTOR

Disconnectable Crimp style connectors

The V connector can have from two to six circuits. A single contact position is provided 7.5mm away from the adjacent position, while the pitch of other positions is 5.0mm. This prevents reverse connection of the receptacle and header.



Features

• **Anti-misinsertion construction**

One position has a different pitch than the others. This provides the connector with polarization and prevents misinsertion.

• **Two-point contact**

Each contact has two wiping areas which ensure stable and reliable connection.


Specifications

- Current rating: 5A AC, DC (AWG #20)
- Voltage rating: 250V AC, DC
- Temperature range: -25°C to +85°C
(including temperature rise in applying electrical current)
- Contact resistance: Initial value/10m Ω max.
After environmental testing/20m Ω max.
- Insulation resistance: 1,000M Ω min.
- Withstanding voltage: 1,500V AC/minute
- Applicable wire: AWG #26 to #20
- Applicable PC board thickness: 1.6mm
- * RoHS compliant products are published.
- * Refer to "General Instruction and Notice when using Terminals and Connectors" at the end of this catalog.
- * Contact JST for details.

Standards

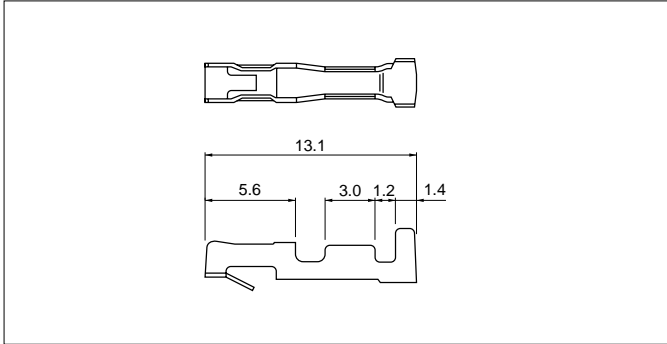
 Recognized E60389

 Certified LR20812

 R75171

V CONNECTOR

Contact



Model No.	Applicable wire			Q'ty / reel
	mm ²	AWG #	Insulation O.D. (mm)	
SVF-01T-1.5A	0.13 to 0.5	26 to 20	1.3 to 2.7	15,000

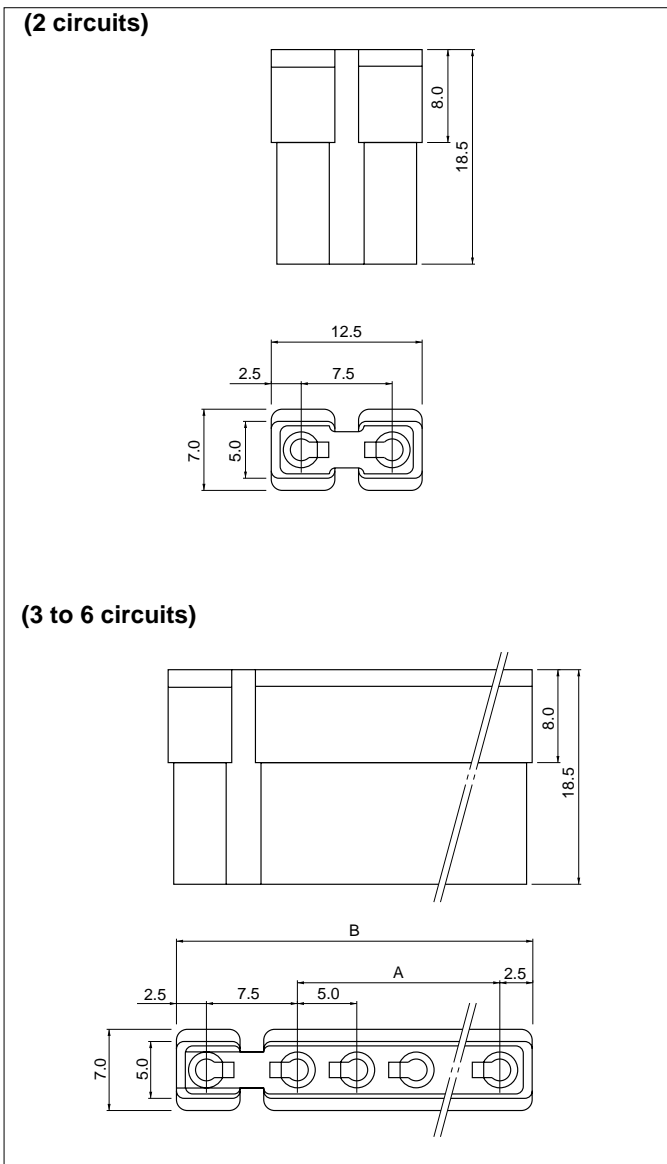
Material and Finish

Brass, tin-plated (reflow treatment)

RoHS compliance

Note: Contact JST for details if you require shielded wires, thin wires or other special wires, or if two wires must be crimped in one contact.

Housing



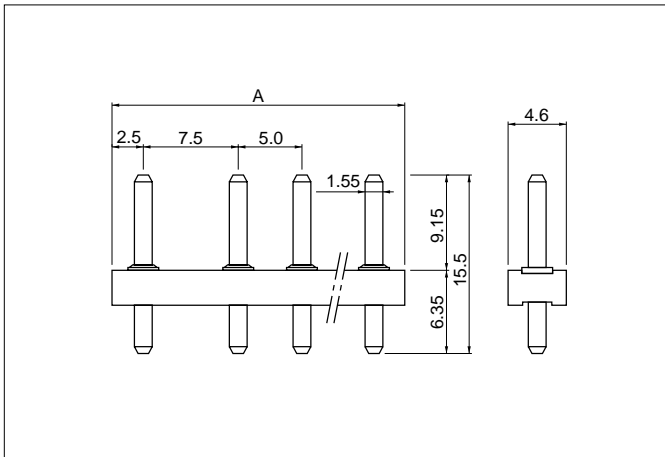
Cir- cuits	Model No.		Dimensions (mm)		Q'ty / bag
	A	B	A	B	
2	2P-SVF	2P-SVF-V	-	-	1,000
3	3P-SVF	3P-SVF-V	5.0	17.5	1,000
4	4P-SVF	4P-SVF-V	10.0	22.5	500
5	5P-SVF	5P-SVF-V	15.0	27.5	500
6	6P-SVF	6P-SVF-V	20.0	32.5	500

Material

PA 6, ()P-SVF...UL94V-2, ()P-SVF-V...UL94V-0, natural (white)

RoHS compliance

Header



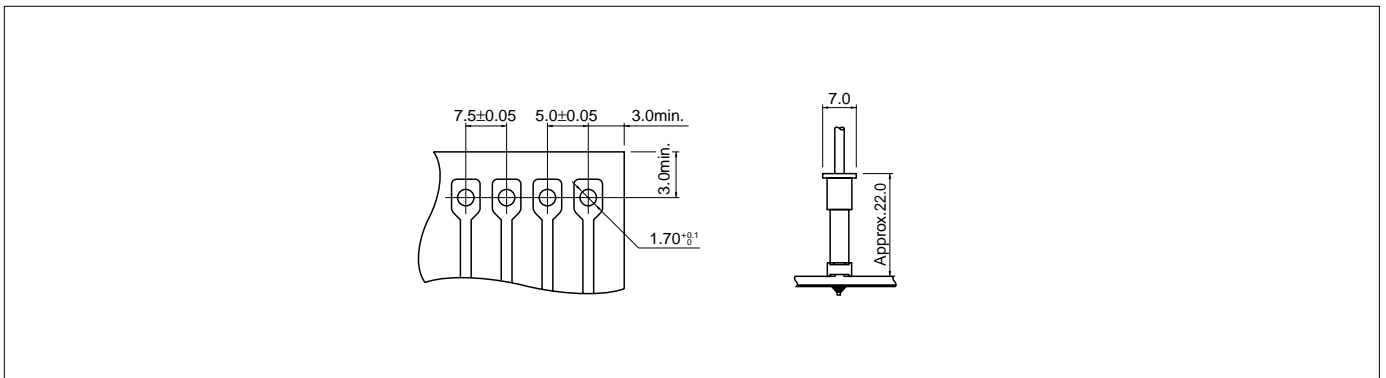
Circuits	Model No.	Dimension A (mm)	Q'ty / box
2	RTB-1.5-2P	12.5	1,000
3	RTB-1.5-3P	17.5	1,000
4	RTB-1.5-4P	22.5	500
5	RTB-1.5-5P	27.5	500
6	RTB-1.5-6P	32.5	250

Material and Finish

Pin: Brass, nickel-undercoated, tin/copper alloy-plated
 Wafer: Glass-filled PBT, UL94V-0, natural (white)

RoHS compliance This product displays (LF)(SN) on a label.

PC board layout (viewed from soldering side) and Assembly layout



Note:

1. Tolerances are non-cumulative: $\pm 0.05\text{mm}$ for all centers.
2. Hole dimensions differ according to the kind of PC board and piercing method. The dimensions above should serve as a guideline. Contact JST for details.

Crimping machine, Applicator

Contact	Crimping machine	Crimp applicator	Dies	Crimp applicator with dies
SVF-01T-1.5A	AP-K2N	MK-L	MK/SVF-01-15A	APLMK SVF01-15A
		-	-	-