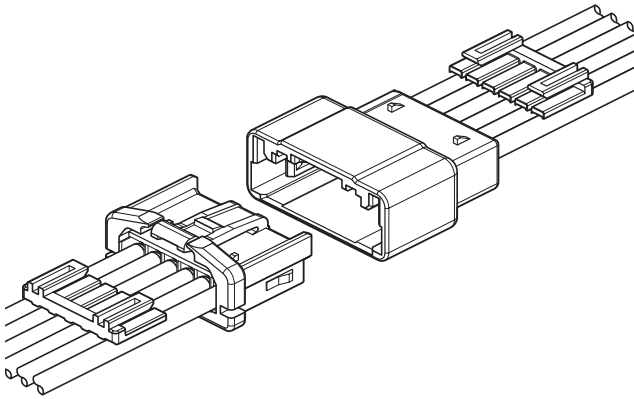


# XMA CONNECTOR

2.5mm pitch/Disconnectable Crimp style Wire-to-wire connectors



**This connector is a 2.5mm pitch wire-to-wire connector, having incomplete mating prevention mechanism. 2-circuit and 3-circuit connectors have control key to prevent connector from mating with incorrect circuits, thus, several same circuit connectors can be used.**

- Inertial lock structure with side lock mechanism
- 3 type combination of control key with one kind of circuit
- Secure locking structure
- Finger-friendly design

## Specifications

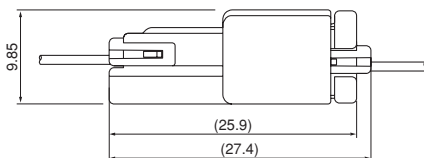
- Current rating: 3A AC, DC (AWG#22)
- Voltage rating: 250V AC, DC
- Temperature range: -25°C to +85°C  
(including temperature rise in applying electrical current)
- Contact resistance: Initial value/10m Ω max.  
After environmental testing/20m Ω max.
- Insulation resistance: 500M Ω min.
- Withstanding voltage: 1,500V AC/minute
- Applicable wire: AWG#26 to #22  
0.13mm<sup>2</sup> to 0.33mm<sup>2</sup>
- \* Compliant with RoHS.
- \* Refer to "General Instruction and Notice when using Terminals and Connectors" at the end of this catalog.
- \* Contact JST for details.

## Standards

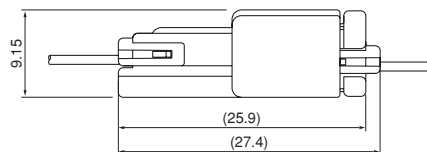
- Ⓡ Recognized E 60389
- Ⓢ Certified LR20812

## Assembly layout

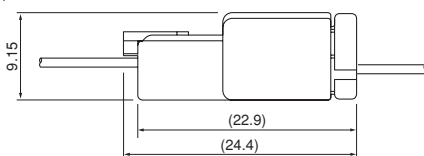
<2, 3 circuits>



<4, 5 circuits>



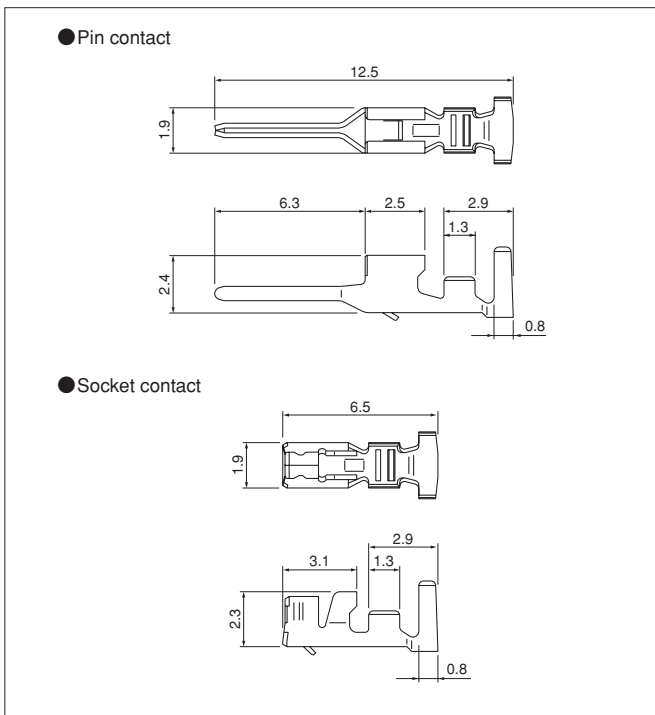
<6 circuits>



Note: The dimensions above should serve as a guideline. Contact JST for details.

# XMA CONNECTOR

## Contact



Model No.		Applicable wire		Insulation O.D. (mm)	Q'ty / reel	
Pin contact	Socket contact	mm <sup>2</sup>	AWG #		Pin contact	Socket contact
<b>SXM-001T-P0.6</b>	<b>SXA-001T-P0.6L</b>	0.13~0.33	26~22	1.3~1.9	7,000	8,000

### Material and Finish

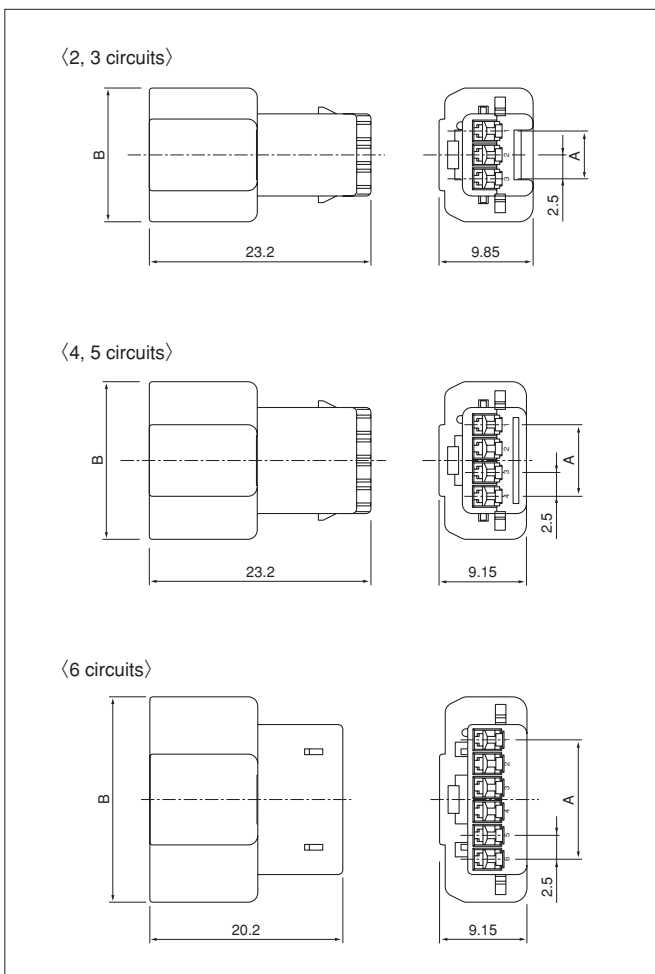
Copper alloy, tin-plated (reflow treatment)

### RoHS compliance

Contact	Crimping machine	Applicator		
		Crimp applicator	Dies	Crimp applicator with dies
<b>SXM-001T-P0.6</b>	AP-K2N	MKS-L	MK/SXA/M-001-06	APLMK SXA/M001-06
		*MKS-SC	SC/SXA/M-001-06	APLSC SXA/M001-06
<b>SXA-001T-P0.6L</b>		MKS-L	MK/SXA-001-06L	APLMK SXA001-06L
		*MKS-SC	SC/SXA-001-06L	APLSC SXA001-06L

Note: \*Strip-crimp applicator

## Receptacle housing (for pin contact)



Circuits	Model No.	Color	Dimensions (mm)		Q'ty / bag
			A	B	
2	<b>XMAR-02VF-1-S</b>	Natural (white)	2.5	12.5	1,000
	<b>XMAR-02VF-2-R</b>	Red			
	<b>XMAR-02VF-3-E</b>	Blue			
3	<b>XMAR-03VF-1-S</b>	Natural (white)	5.0	14.0	1,000
	<b>XMAR-03VF-2-R</b>	Red			
	<b>XMAR-03VF-3-E</b>	Blue			
4	<b>XMAR-04VF-S</b>	Natural (white)	7.5	16.5	500
5	<b>XMAR-05VF-S</b>	Natural (white)	10.0	19.0	500
6	<b>XMAR-06VF-S</b>	Natural (white)	12.5	21.5	500

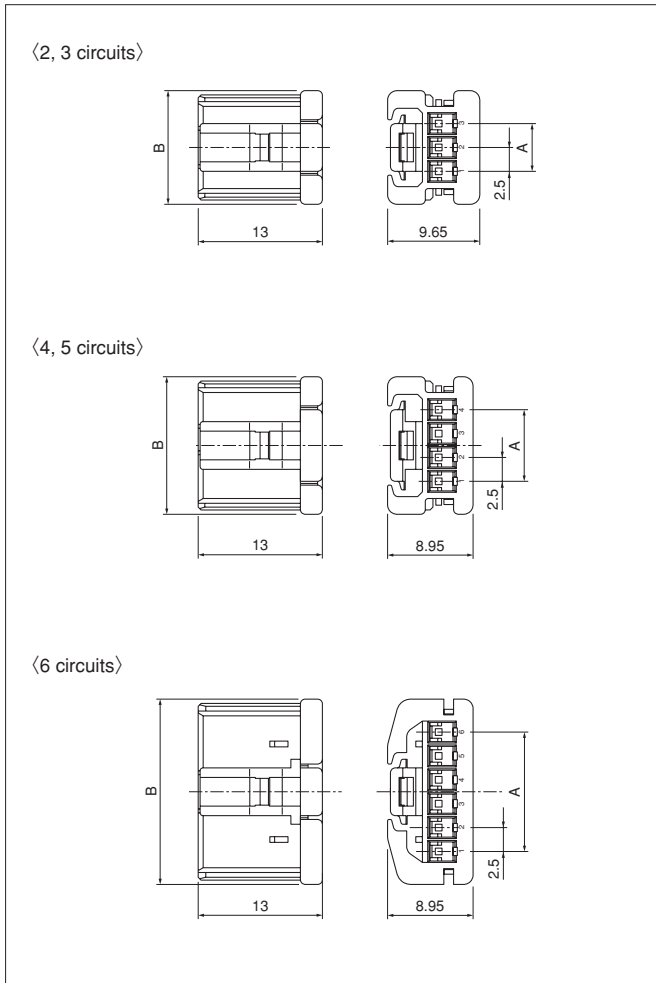
### Material

Glass-filled PBT, UL94V-0

### RoHS compliance

# XMA CONNECTOR

## Plug housing (for socket contact)



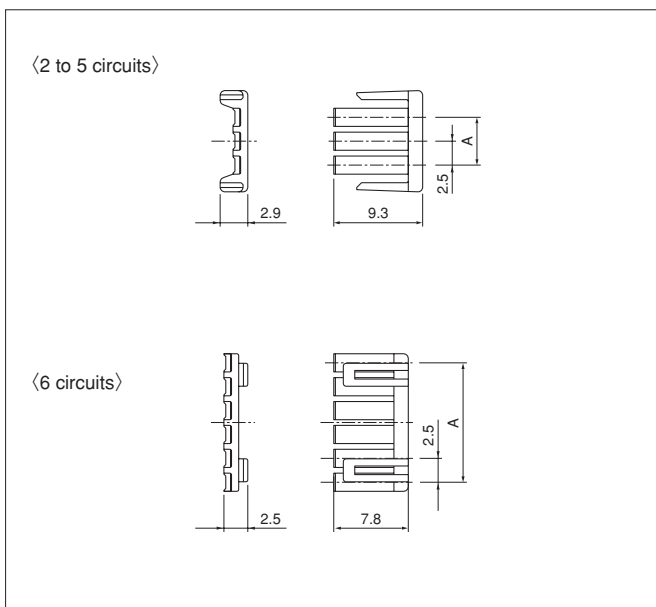
Circuits	Model No.	Color	Dimensions (mm)		Q'ty / bag
			A	B	
2	<b>XMAP-02V-1-S</b>	Natural (white)	2.5	9.4	1,000
	<b>XMAP-02V-2-R</b>	Red			
	<b>XMAP-02V-3-E</b>	Blue			
3	<b>XMAP-03V-1-S</b>	Natural (white)	5.0	11.9	1,000
	<b>XMAP-03V-2-R</b>	Red			
	<b>XMAP-03V-3-E</b>	Blue			
4	<b>XMAP-04V-S</b>	Natural (white)	7.5	14.4	1,000
5	<b>XMAP-05V-S</b>	Natural (white)	10.0	16.9	500
6	<b>XMAP-06V-S</b>	Natural (white)	12.5	19.4	500

### Material

Glass-filled PBT, UL94V-0

### RoHS compliance

## Retainer



Circuits	Model No.	Color	Dimensions (mm)	Q'ty / bag
			A	
2	<b>XMAS-02V-S</b>	Natural (ivory)	2.5	1,000
3	<b>XMAS-03V-S</b>	Natural (ivory)	5.0	1,000
4	<b>XMAS-04V-S</b>	Natural (ivory)	7.5	1,000
5	<b>XMAS-05V-S</b>	Natural (ivory)	10.0	1,000
6	<b>XMS-06V</b>	Natural (ivory)	12.5	1,000

### Material

Glass-filled PA 66, UL94V-0

### RoHS compliance

Note: 6 circuits of retainer is interchangeable with those of the XM and XA connectors.