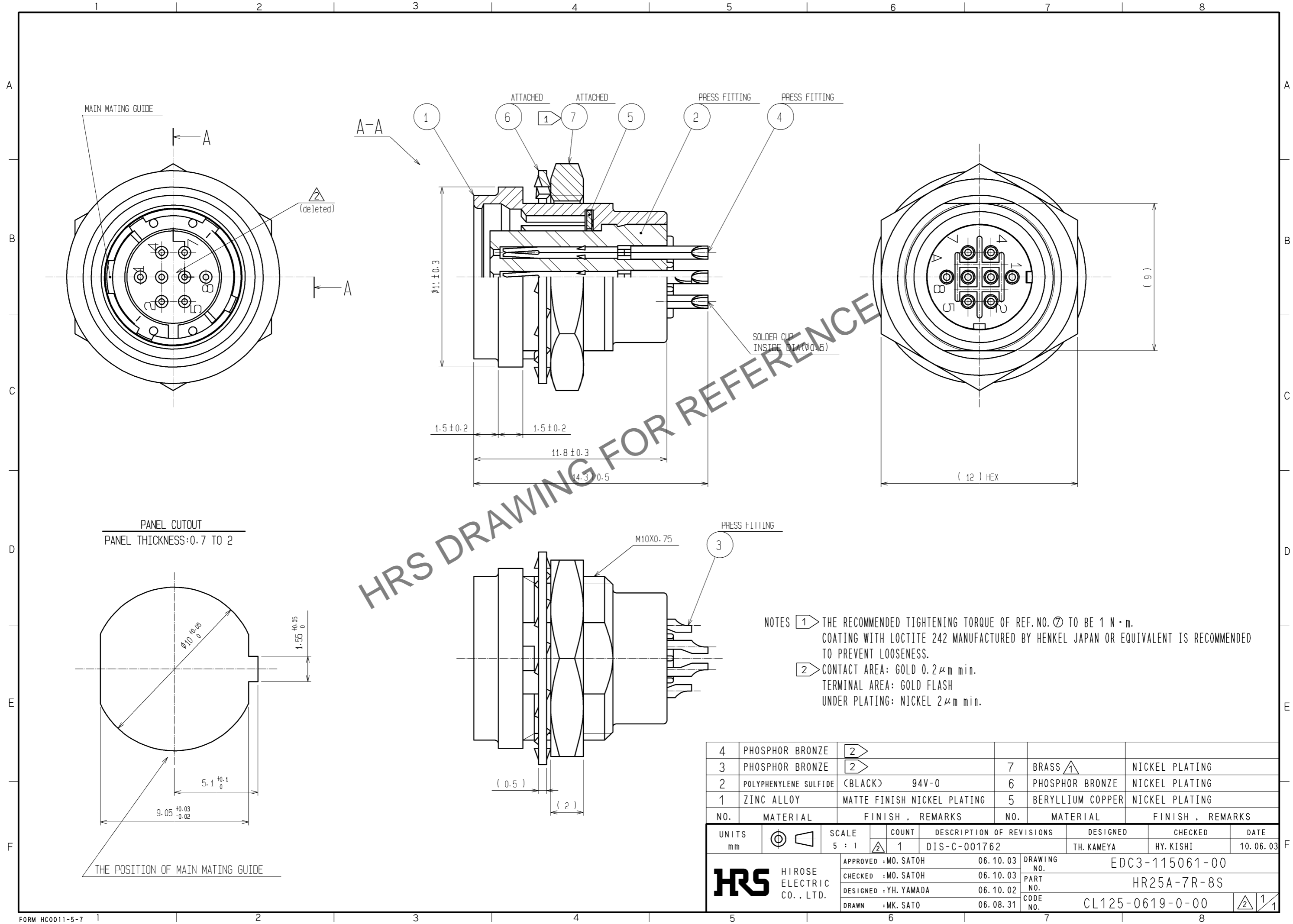


Oct.1.2023 Copyright 2023 HIROSE ELECTRIC CO., LTD. All Rights Reserved.
 In case of consideration for using Automotive equipment / device which demand high reliability, kindly contact our sales window correspondents.



- NOTES
- ① THE RECOMMENDED TIGHTENING TORQUE OF REF. NO. ⑦ TO BE 1 N · m.
 COATING WITH LOCTITE 242 MANUFACTURED BY HENKEL JAPAN OR EQUIVALENT IS RECOMMENDED TO PREVENT LOOSENESS.
 - ② CONTACT AREA: GOLD 0.2 μm min.
 TERMINAL AREA: GOLD FLASH
 UNDER PLATING: NICKEL 2 μm min.

NO.	MATERIAL	FINISH .	REMARKS	NO.	MATERIAL	FINISH .	REMARKS
4	PHOSPHOR BRONZE	②		7	BRASS ⚠		NICKEL PLATING
3	PHOSPHOR BRONZE	②		6	PHOSPHOR BRONZE		NICKEL PLATING
2	POLYPHENYLENE SULFIDE	(BLACK)	94V-0	5	BERYLLIUM COPPER		NICKEL PLATING
1	ZINC ALLOY	MATTE FINISH	NICKEL PLATING				

UNITS mm		SCALE 5 : 1	COUNT 1	DESCRIPTION OF REVISIONS DIS-C-001762	DESIGNED TH. KAMEYA	CHECKED HY. KISHI	DATE 10.06.03
HRS HIROSE ELECTRIC CO., LTD.		APPROVED : MO. SATOH	06.10.03	DRAWING NO. EDC3-115061-00			
		CHECKED : MO. SATOH	06.10.03	PART NO. HR25A-7R-8S			
		DESIGNED : YH. YAMADA	06.10.02	CODE NO. CL125-0619-0-00			
		DRAWN : MK. SATO	06.08.31			①/②	