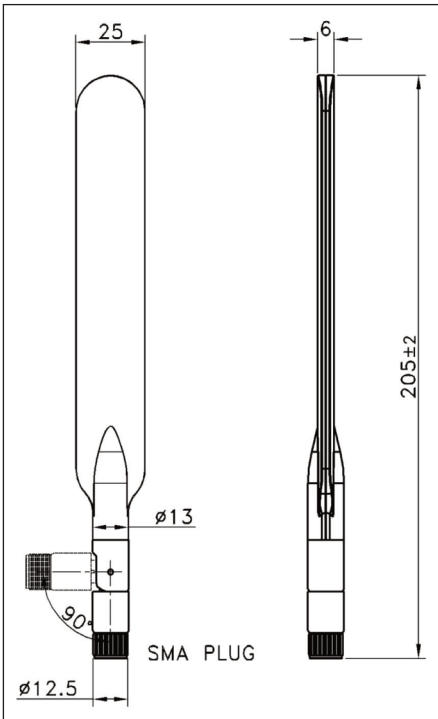


# Antenna 101295



## Portable Antenna



### Antenna

Frequency:

698- 960MHz  
1710-2170MHz  
2300-2400MHz  
2500-2690MHz

Polarization:

vertical

Gain:

1 dBi ( 698- 960MHz)  
2 dBi (1710-2690MHz)

V.S.W.R:

≤3.0

Impedance:

50Ω

Weight:

26 g

Operating temperature:

-20°C to + 65°C

Connector:

SMA (male)

