

# MC-MNR LTEA

## 4G LTE Router



4G LTE



2G GSM



WLAN



GPS Glonass



4x SMA  
(1x MIMO)



Dual-SIM



E1 approval  
(optional)



2 Ethernet RJ45



2x M12



USB 3.0



RS-485



2in/2out



Audio

# MC-MNR LTEA Router

## Technical Data

| General                          | Description  | Part-No. |
|----------------------------------|--|----------|
| Type                             | LTE Cat 4 Router with audio  | 194321   |
| Dimensions (W x H x D)           | 44 x 105 x 124 mm  |          |
| Weight                           | approx.500 g   |          |
| Supply voltage                   | 8 to 30V DC  |          |
| Operation temperature            | -40°C to +75°C (Storage -40°C to +85°C)                                    |          |
| Housing                          | Aluminum   |          |
| Protection class                 | IP20   |          |
| Mounting                         | DIN rail, wall mounted   |          |
| Module plugged                   | Quectel EC25-E   |          |
| <b>Mobile</b>                    |  |          |
| Supporting networks              | LTE-FDD: B1/3/5/8<br>LTE-TDD: B34/38/39/40/41<br>WCDMA: B1/5/8             |          |
| max. Data Rates LTE-FDD          | 150 Mbps (DL) / 50 Mbps (UL)   |          |
| max. Data Rates LTE-TDD          | 130 Mbps (DL) / 30 Mbps (UL)   |          |
| max. Data Rates WCDMA            | 384 kbps (DL) / 384 kbps (UL)  |          |
| Antenna connections              | 4x SMA (female)  |          |
| <b>Controller, Memory and OS</b> |  |          |
| Prozessor                        | ARMv8, 64bit, Cortex A5x, Quad Core, up to 2GHz                            |          |
| DRAM                             | LPDDR4 2 GByte   |          |
| eMMC                             | 16 GByte   |          |
| <b>Interfaces</b>                |  |          |
| Power                            | Plug-in screw-type terminal  |          |
| Ethernet                         | 2x RJ45 + 2x M12 X-coded 10/100/1000 Base-T(X) acc. IEEE 802.3             |          |
| Analog Input                     | 2x 0 - 30 V + 2x 4 - 20 mA   |          |
| RS-485                           | on IO-Interface  |          |
| USB                              | 3.0  |          |
| LED                              | 8 Status LEDs + 2 LEDs for each Ethernet sockets                           |          |
| WLAN                             | 2.4 GHz  |          |
| GNSS                             | GPS, GLONASS (or BeiDou) and QZSS  |          |
| External Flash                   | 1x Micro-SD-Card slot  |          |
| Internal slots                   | M.2, mPCIe   |          |
| SIM                              | 2x nano SIM (eSIM optional)  |          |
| Digital Output                   | 4x 0 - 30 V (open drain)   |          |
| Digital Input                    | 4x 0..30 V (optional ignition power logic for vehicle use)                 |          |
| Audio                            | M8 microphone input and speaker output for calls via LTE module            |          |
| <b>Other properties</b>          |  |          |
| Operating System                 | OpenWRT 24 (free programmable and configurable embedded Linux system)      |          |
| <b>Standards and regulations</b> |  |          |
| Electromagnetic compatibility    | Conformity with EMC Directive 2014/30/EU (CE-Marking), optional: ECE R10   |          |
| Security                         | TPM2.0, Secure boot, watchdog, development process according IEC 62443-4.1 |          |
| <b>Delivery includes</b>         |  |          |
| t.b.a.                           |  |          |

Mistakes and changes are reserved.

# MC-MNR LTEA Router

## Accessories

| Accessories                    |  | Part-No. |
|--------------------------------|--|----------|
| Power supply                   | Mount Adapter EU                               | 100909   |
| DIN mount                      | Clip-in for DIN Rail, 40mm, aluminium          | 100813   |
| Bracket                        | Bracket made of spring steel                   | 194316   |
| Wall bracket                   | Aluminium, raw, laser-cut & folded             | 200026   |
| WLAN / LTE antenna             | 4G/3G/2G/WLAN, SMA (male)                      | 101292   |
| GPS adhesive antenna           | GPS, 3m RG-174, SMA (male)                     | 163027   |
| 5G/LTE Portable antenna        | 5G/4G/3G/2G, 198 mm rod length, SMA (male)     | 161012   |
| 5G/LTE Puck Antenna            | 5G/4G/3G/2G, 3m RG-174, 1x SMA (male)          | 193874   |
| 5G/LTE MIMO Desk mount antenna | 5G/4G/MIMO/3G/2G, 2 x 2m RG-174, 2x SMA (male) | 193600   |
| 5G/LTE wall antenna            | 5G/LTE/4G/3G/2G/WLAN, 1m CS29, SMA (male)      | 193513   |
| LTE Magnetic antenna           | 4G/3G/2G, 3m RG-174, SMA (male)                | 101290   |

Mistakes and changes are reserved.



193874



193600



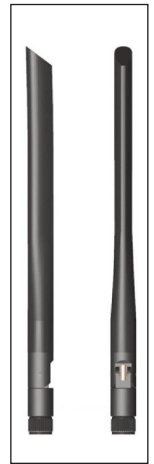
163027



101290



101292



161012



MC MNR 5GA with DIN mount 100813



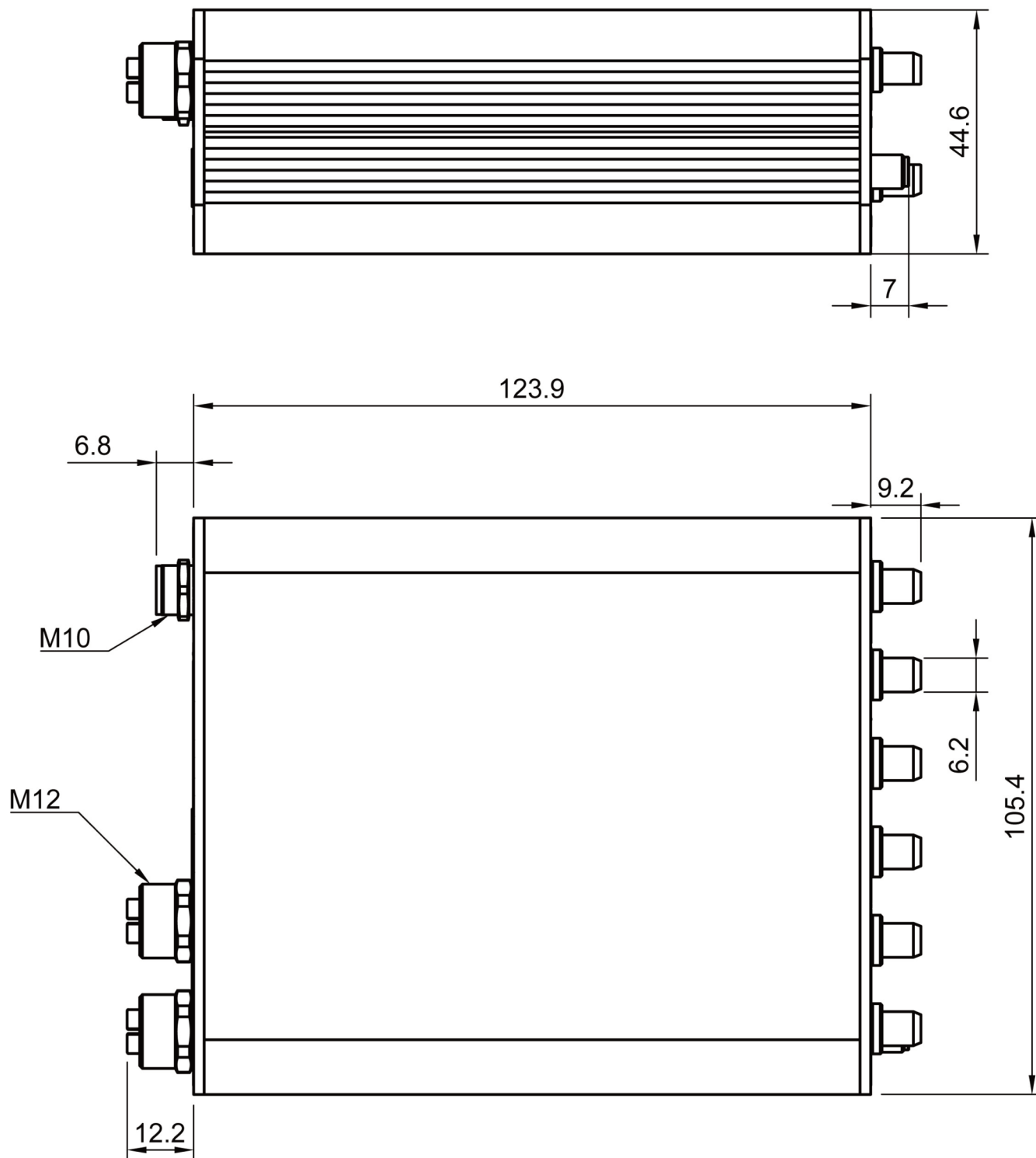
MC MNR 5GA with bracket 194316



MC MNR 5GA with wall bracket 200026

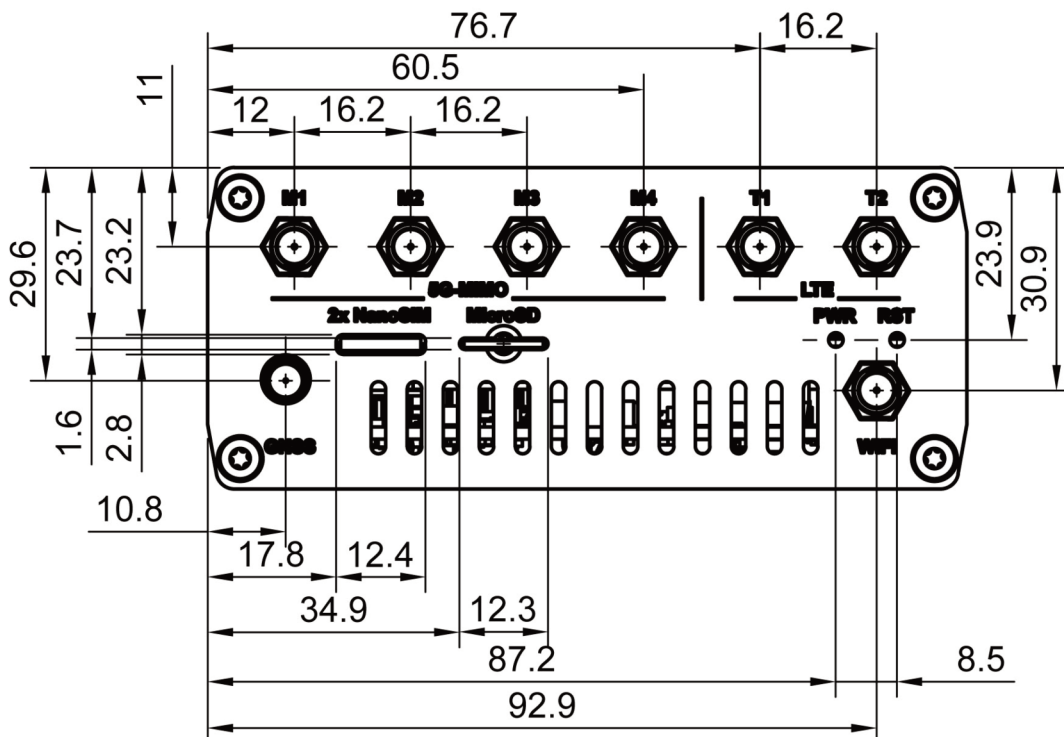
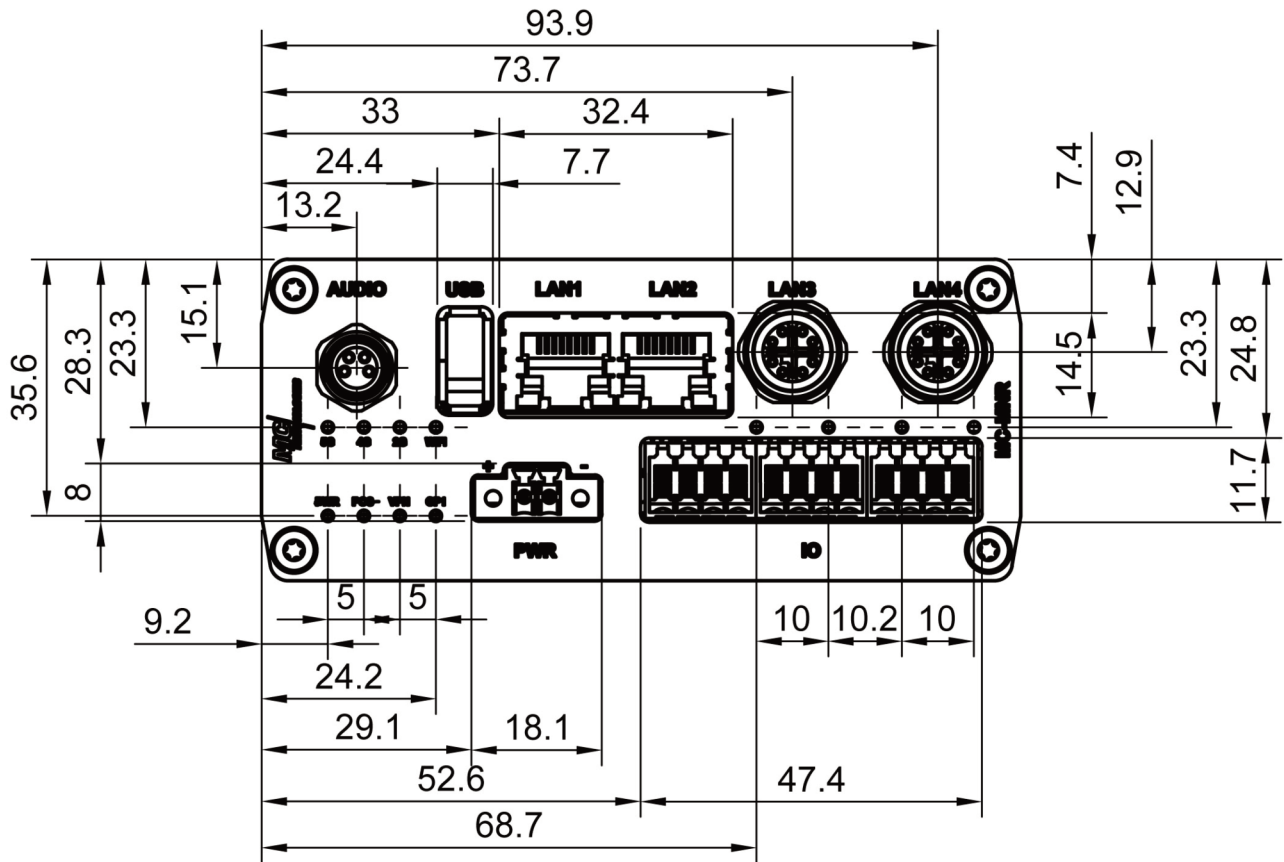
# MC-MNR LTEA Router

## Dimensions



# MC-MNR LTEA Router

## Dimensions



# MC-MNR LTEA Router

## Connections

