

MC-MNR LTE

LTE Router 4-Port



4G LTE



2G GSM



WLAN



GPS Glonass



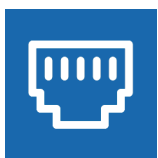
4x SMA



Dual-SIM



E1 approval (optional)



4 Ethernet RJ45



SFP cage



USB 3.0



RS-485



2in/2out

MC-MNR LTE Router 4-Port

Technical Data

General	Description	Part-No.
Type	LTE Cat 4 Router	194469
Dimensions (W x H x D)	44 x 105 x 124 mm	
Weight	approx. 500 g	
Supply voltage	8 to 30V DC	
Operation temperature	-40°C to +75°C (Storage -40°C to +85°C)	
Housing	Aluminum	
Protection class	IP20	
Mounting	DIN rail, wall mounted	
Module plugged	Quectel EC25-E	
Mobile		
Supporting networks	LTE-FDD: B1/3/5/8 LTE-TDD: B34/38/39/40/41 WCDMA: B1/5/8	
max. Data Rates LTE-FDD	150 Mbps (DL) / 50 Mbps (UL)	
max. Data Rates LTE-TDD	130 Mbps (DL) / 30 Mbps (UL)	
max. Data Rates WCDMA	384 kbps (DL) / 384 kbps (UL)	
Antenna connections	4x SMA (female)	
Controller, Memory and OS		
Processor	ARMv8, 64bit, Cortex A5x, Quad Core, up to 2GHz	
DRAM	LPDDR4 2 GByte	
eMMC	16 GByte	
Interfaces		
Power	Plug-in screw-type terminal	
Ethernet	4x RJ45 10/100/1000 base-t	
SFP	SFP cage for standard SFP modules	
Analog Input	2x 0 - 30 V + 2x 4 - 20 mA	
RS-485	on IO-Interface	
JSB	3.0	
LED	8 Status LEDs + 2 LEDs for each Ethernet sockets	
WLAN	2.4 GHz	
GNSS	GPS, GLONASS (or BeiDou) and QZSS	
External Flash	1x Micro-SD-Card slot	
Internal slots	M.2, mPCIe	
SIM	2x nano SIM (eSIM optional)	
Digital Output	4x 0 - 30 V (open drain)	
Digital Input	4x 0..30 V (optional ignition power logic for vehicle use)	
Other properties		
Operating System	OpenWRT 24 (free programmable and configurable embedded Linux system)	
Standards and regulations		
Electromagnetic compatibility	Conformity with EMC Directive 2014/30/EU (CE-Marking), optional: ECE R10	
Security	TPM2.0, Secure boot, watchdog, development process according IEC 62443-4.1	
Delivery includes		
i.b.a.		

Mistakes and changes are reserved.

MC-MNR LTE Router 4-Port

Accessories

Accessories		Part-No.
Power supply	Mount Adapter EU	100909
DIN mount	Clip-in for DIN Rail, 40mm, aluminium	100813
Bracket	Bracket made of spring steel	194316
Wall bracket	Aluminium, raw, laser-cut & folded	200026
WLAN / LTE antenna	4G/3G/2G/WLAN, SMA (male)	101292
GPS adhesive antenna	GPS, 3m RG-174, SMA (male)	163027
5G/LTE Portable antenna	5G/4G/3G/2G, 198 mm rod length, SMA (male)	161012
5G/LTE Puck Antenna	5G/4G/3G/2G, 3m RG-174, 1x SMA (male)	193874
5G/LTE MIMO Desk mount antenna	5G/4G/MIMO/3G/2G, 2 x 2m RG-174, 2x SMA (male)	193600
5G/LTE wall antenna	5G/LTE/4G/3G/2G/WLAN, 1m CS29, SMA (male)	193513
LTE Magnetic antenna	4G/3G/2G, 3m RG-174, SMA (male)	101290

Mistakes and changes are reserved.



193874



193600



193513



193863



101292



MC MNR 5GA with DIN mount 100813



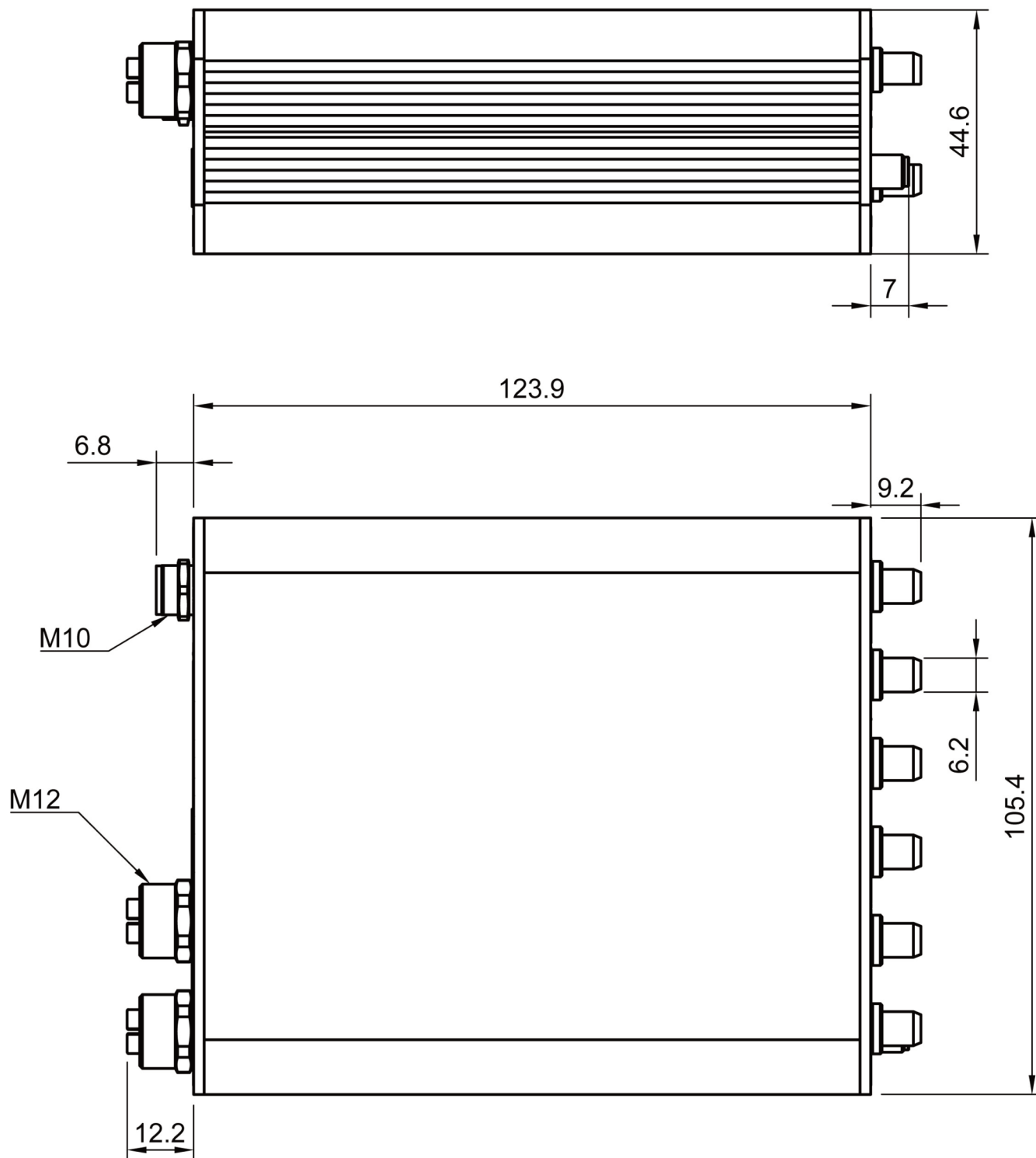
MC MNR 5GA with bracket 194316



MC MNR 5GA with wall bracket 200026

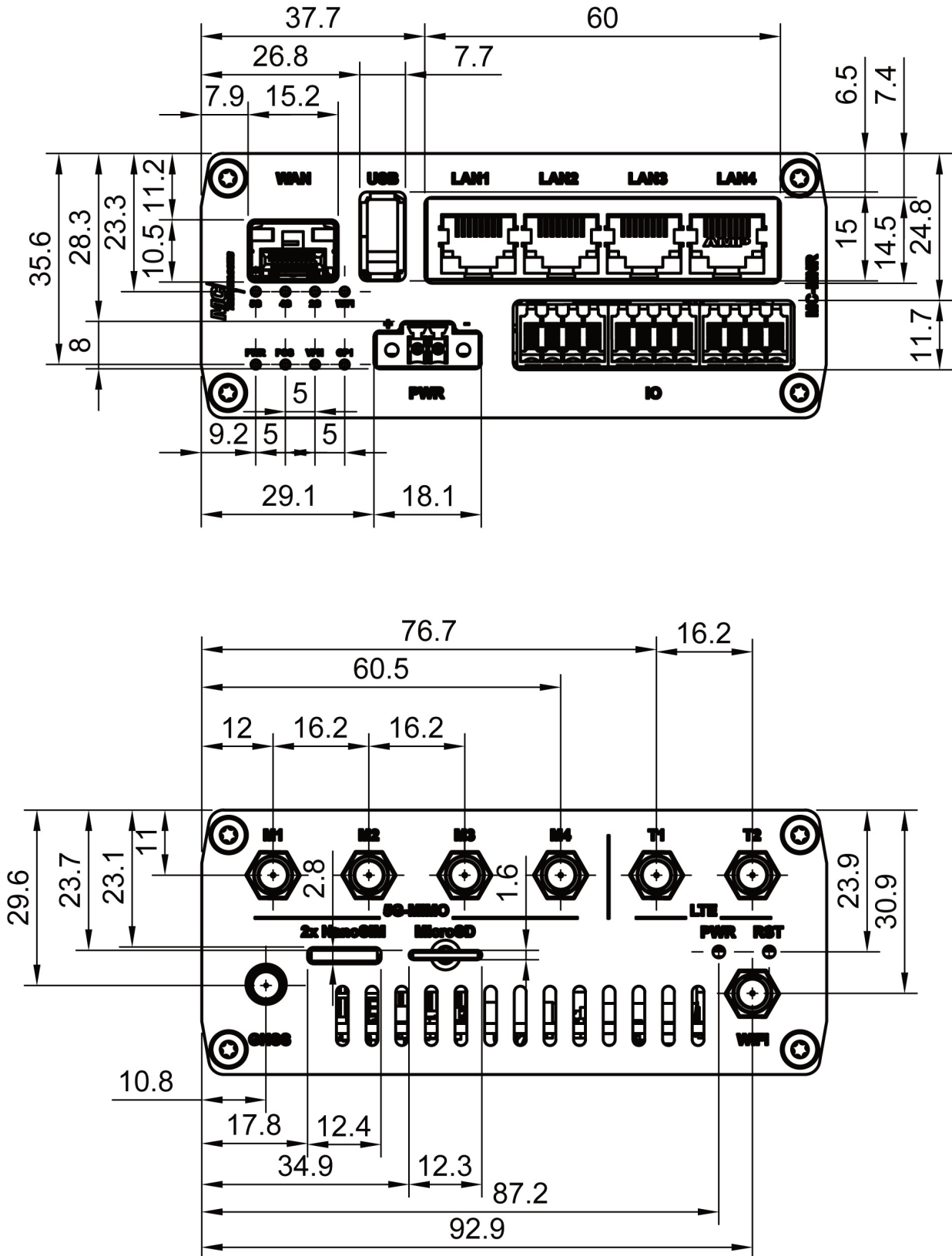
MC-MNR LTE Router 4-Port

Dimensions



MC-MNR LTE Router 4-Port

Dimensions



MC-MNR LTE Router 4-Port Connections

