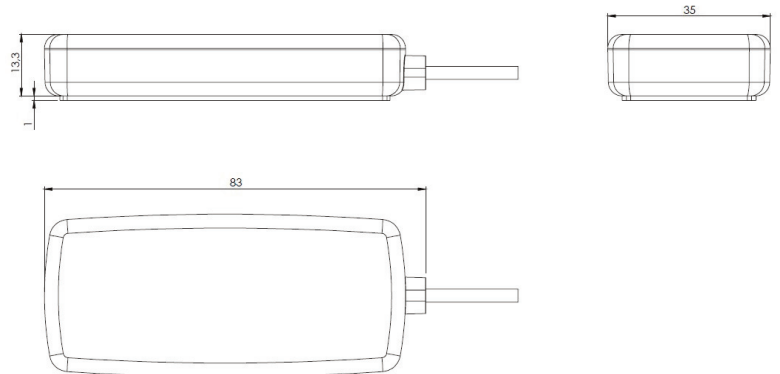


Antenna 194686



4G/LTE Adhesive antenna



Technical Data:

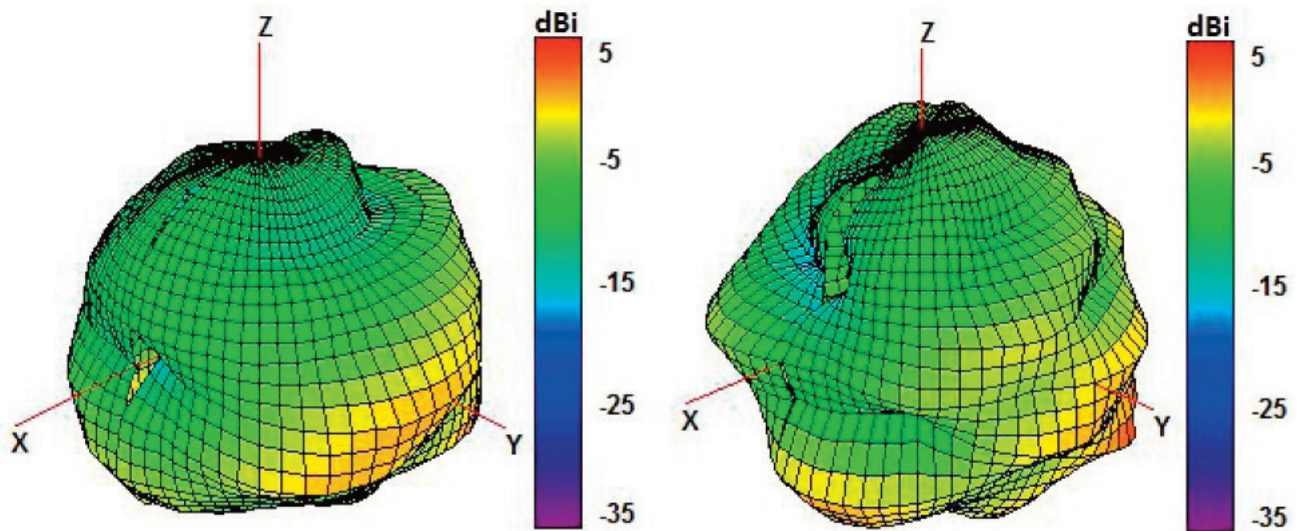
Frequency Range (MHz):	698-960	1710-2170	2500-2700
Operational Band (MHz)	700/850/900	1700/1800/1900/2100	2600
Return Loss (dB):	-13.1	-16.7	-11.6
Peak Gain (dBi):	3.4	2.1	1.0
VSWR:	1.9:1	1.4:1	1.8:1
Efficiency (%):	59	55	31
Polarisation:		Linear	
Pattern:		Omni-directional	
Impedance:		50 Ω	
Max Input Power:		25 W	
Dimensions:		83 x 35 x 13.3 mm	
Operating Temperature:		-40°C to +85°C	
Material:		ASA	
Colour:		Black	
Fixing:		Adhesive mount	
Cable:		10 m LL100	
Connector:		Fakra D (female)	

Antenna
194686

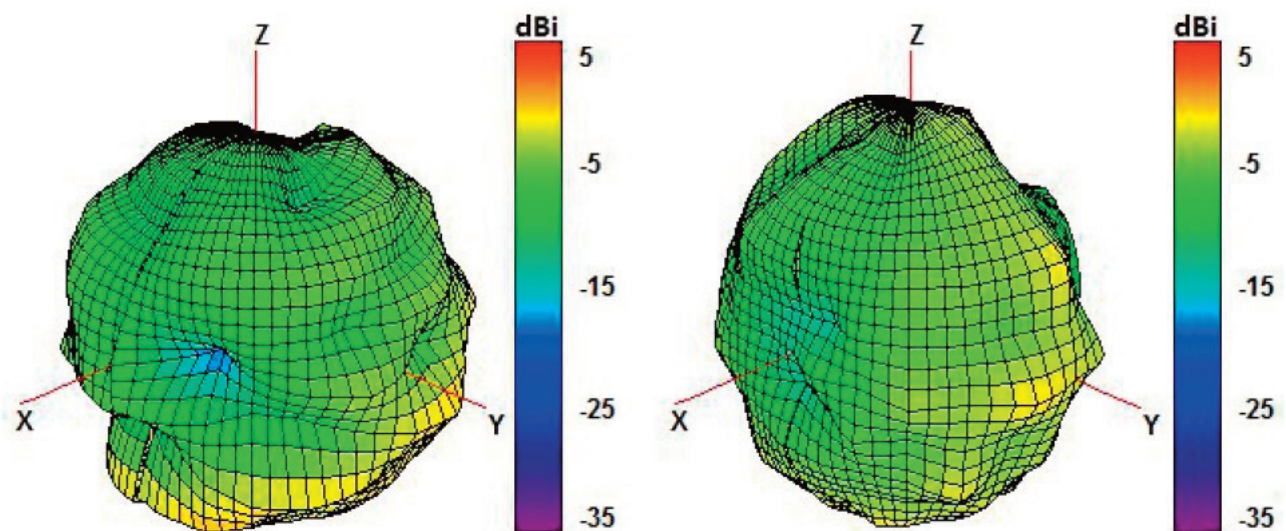


MC
TECHNOLOGIES
We connect the industry

4G/LTE Adhesive antenna



750 and 850 MHz Radiation pattern

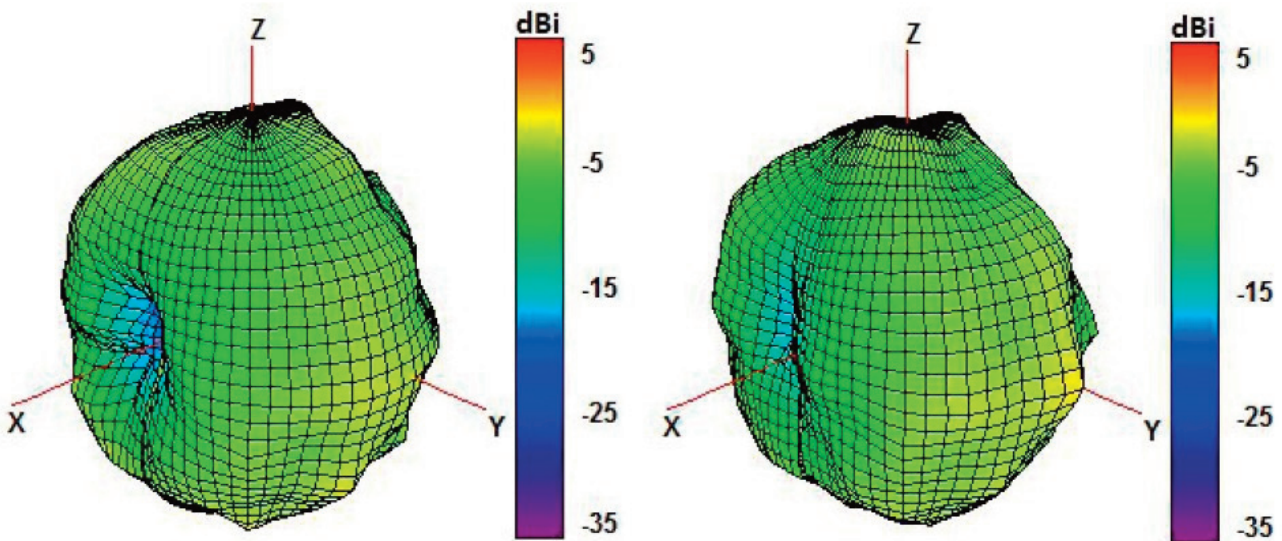


940 and 1750 MHz Radiation pattern

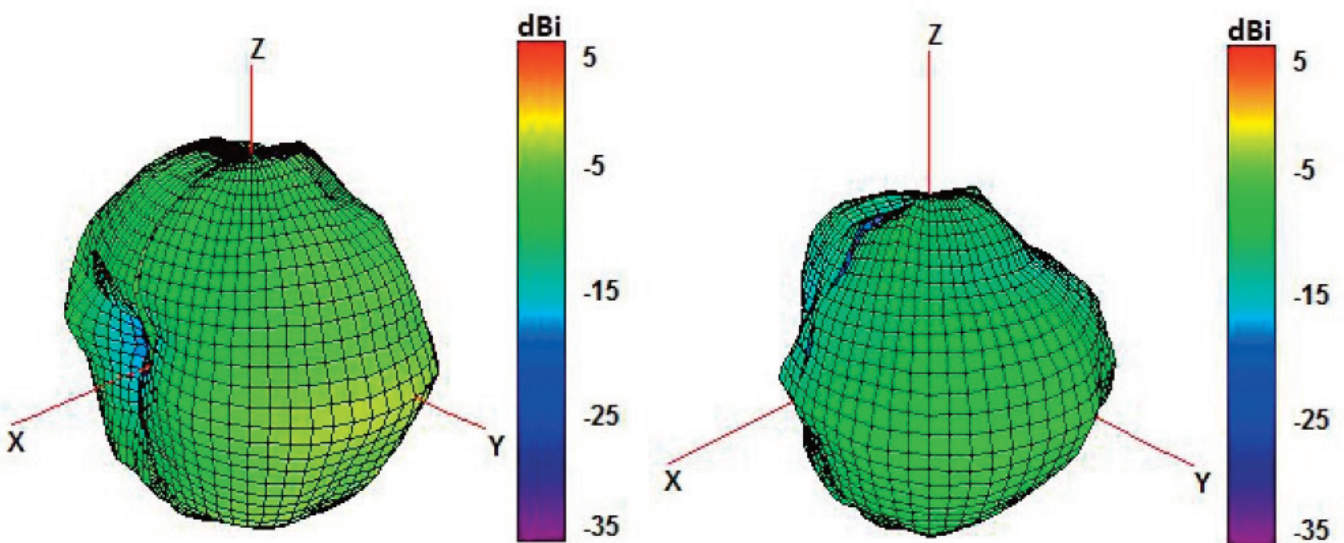
Antenna 194686



4G/LTE Adhesive antenna



1850 and 1950 MHz Radiation pattern



2100 and 2600 MHz Radiation pattern