

Antenna 194808-194809

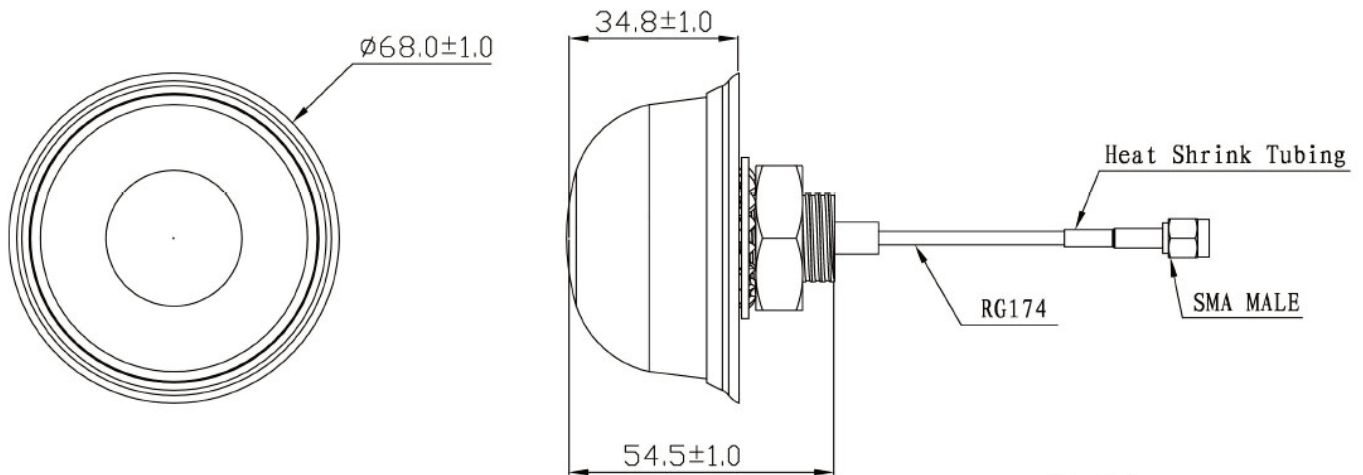


LTE Antenna



Technical Data:

Frequency Range:	698-960 / 1710-2290 MHz
Polarisation:	linear
Gain max.:	2 dBi
VSWR:	<2.0
Impedance:	50 Ohm
Dimensions:	Height 34.8/54.5 mm (with screw) Diameter 68mm
Operating Temperature:	-40°C to +85°C
Material:	ABS
Colour:	Black
Mounting:	Screw mount, M16 thread
Ingress Protection:	IP69K (exclude cable outlet)
Cable/Connector:	
194808	3m RG174, SMA (male)
194809	10m RG174, SMA (male)



Unit: mm