

Antenna 194695

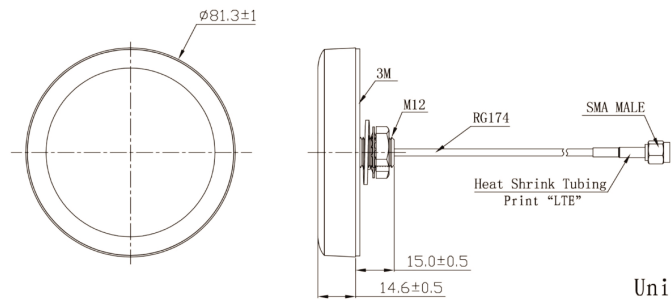


Roof Antenna GSM/UMTS/LTE



Specifications

Frequency Range:	698-2690MHz
Polarization:	Linear
Gain:	2.5dBi (Zenith)
V.S.W.R (min):	<3.0
Impedance:	50Ω
Cable:	20 cm RG174
Connector:	SMA (male)
Material:	ABS
Mounting Method:	Screw
Operating Temperature:	-40°C to +85°C



Unit: mm

