

Antenna 194846

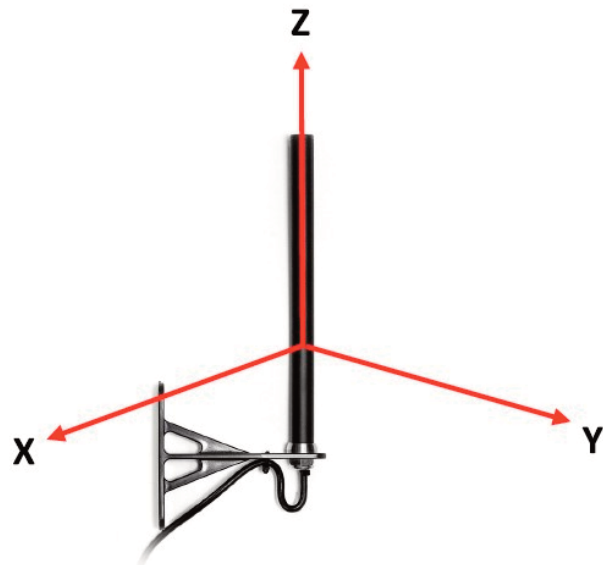


Cellular/LTE wall mount antenna



Technical data :

Standards	2G, 3G and 4G		
Frequency (MHz)	698-960	1710-2170	2500-2700
Return Loss (dB)	~-8.6	~-16.8	~-14.7
VSWR	~2.4:1	~1.4:1	~1.5:1
Efficiency (%)	~54.7	~56.8	~48.8
Peak Gain (dBi)	~2.2	~3.0	~0.4
Average Gain (dB)	~2.7	~2.5	~3.1
Impedance	50 Ω		
Polarisation	Linear		
Radiation Pattern	Omni-Directional		
Max. Input Power	25 W		
Mounting	Wall Mount		
Dimensions	272 x 30 x 115 (220 x \varnothing 16) mm		
Connector	Fakra D (f) R/A		
Cable:	15m LL195		
Operating temperature	-40 °C to +85 °C		
Certificates	IP67		

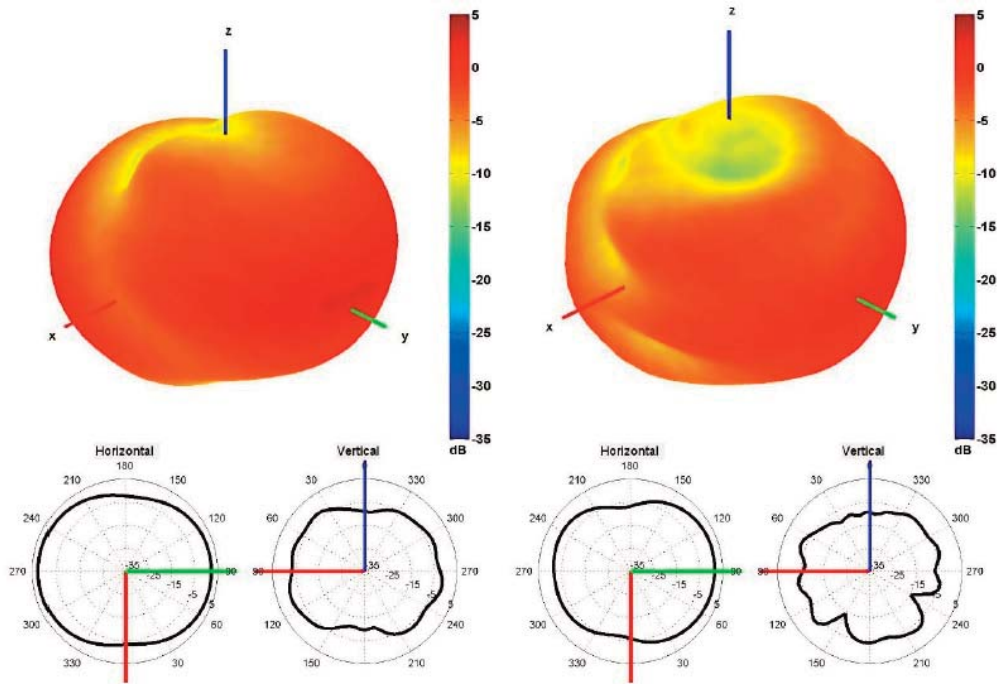


Radiation pattern reference

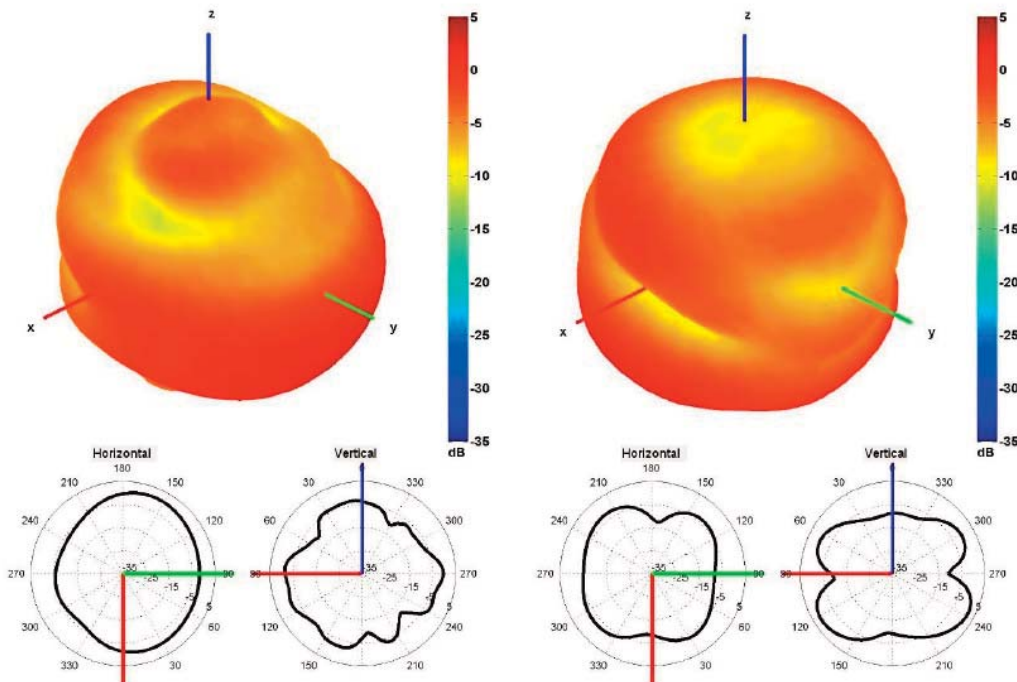
Antenna
194846



Cellular/LTE wall mount antenna



750 and 850 MHz Radiation pattern

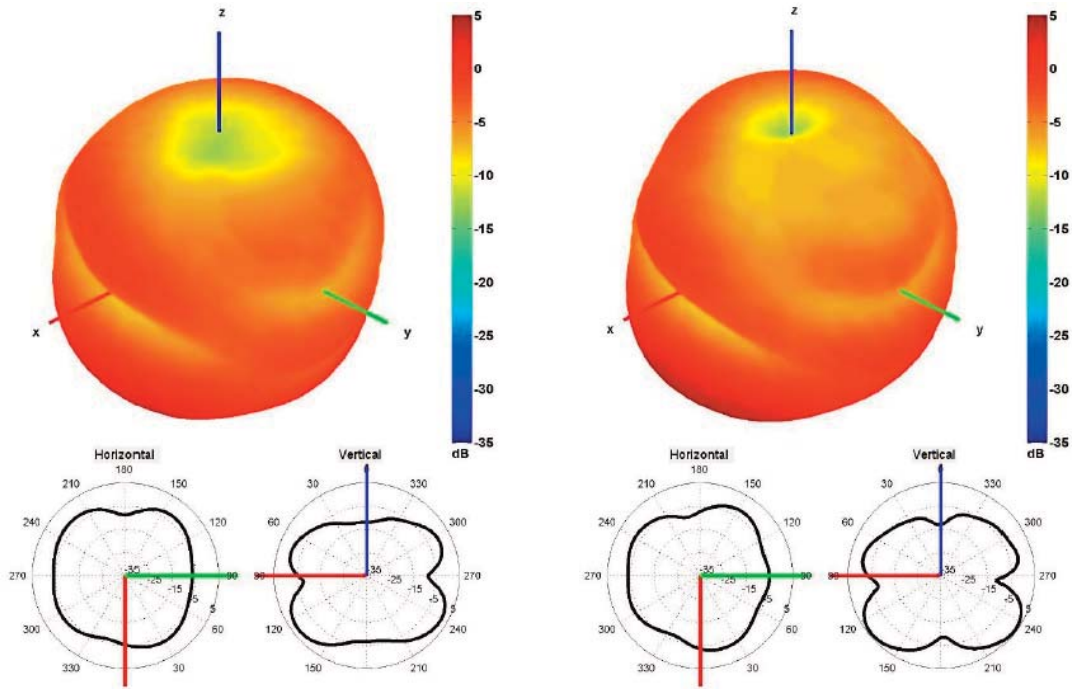


940 and 1750 MHz Radiation pattern

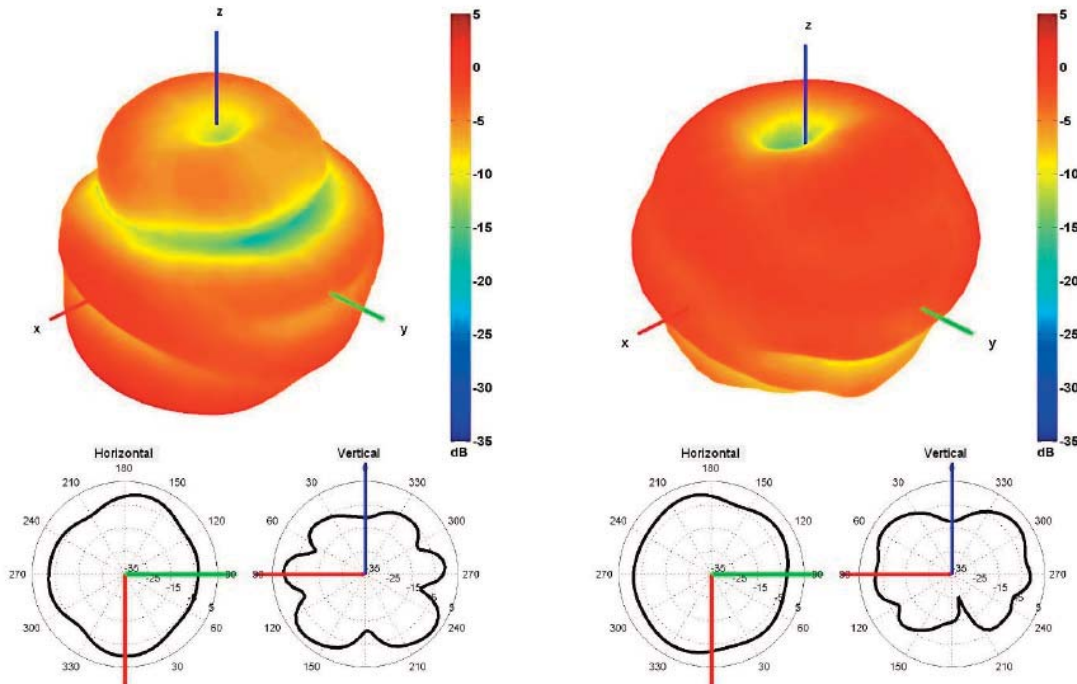
Antenna
194846



Cellular/LTE wall mount antenna



1850 and 1950 MHz Radiation pattern



2100 and 2600 MHz Radiation pattern

Antenna 194846



Cellular/LTE wall mount antenna

