

# Antenna 194849

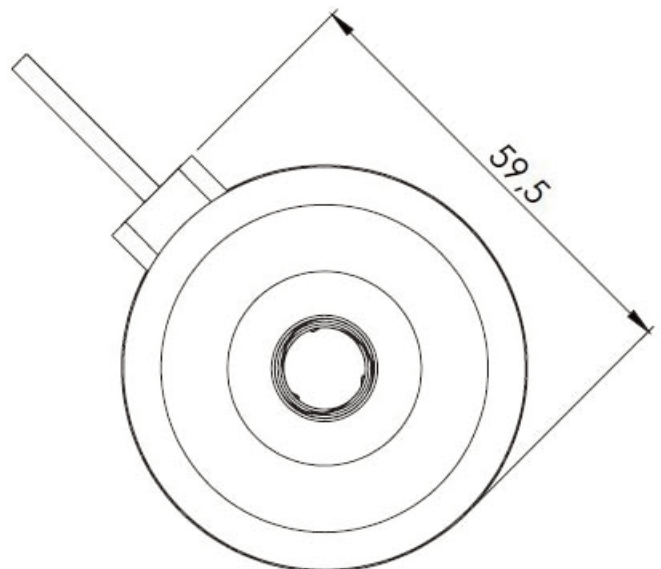
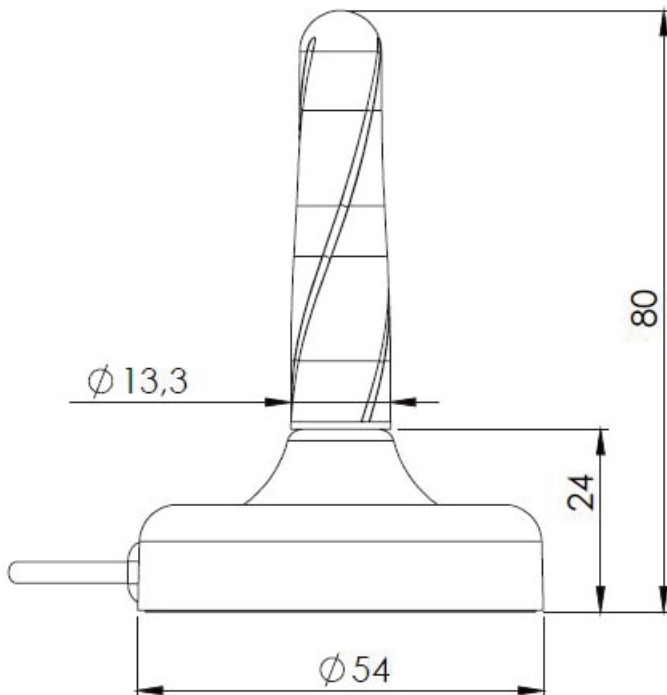


## LTE magnetic mount antenna



### Technical data:

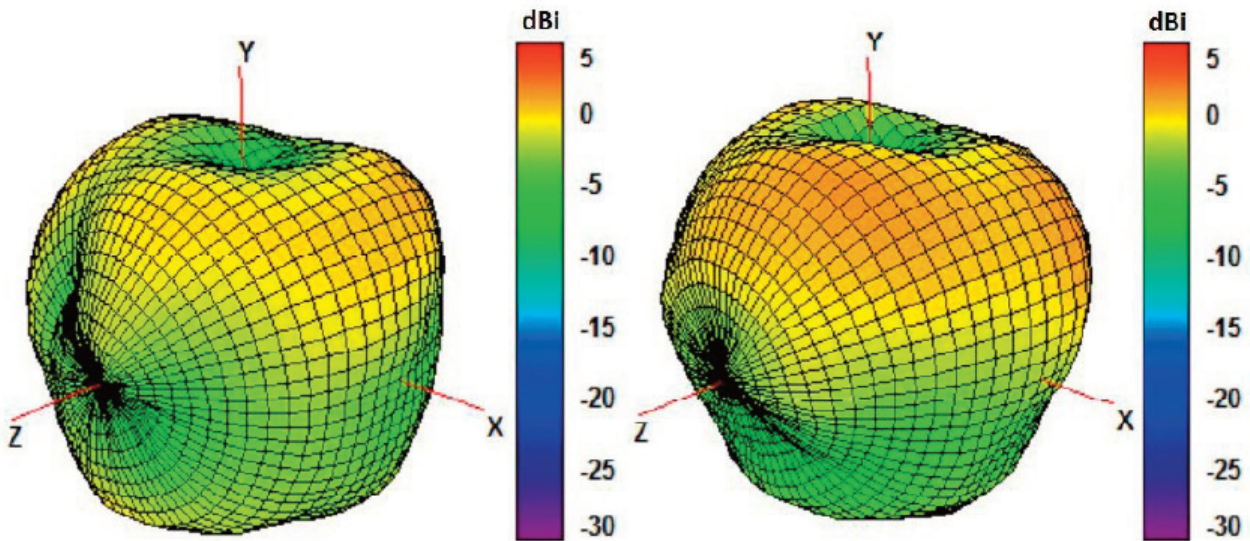
Standards	2G,3G and 4G
Frequency	698-960, 1710-2170, 2500-2700
VSWR	~1.9:1, ~1.2:1, ~1.4:1
Efficiency (%)	~56, ~51, ~43
Peak Gain (dBi)	~2.0, ~3.9, ~3.5
Impedance	50 Ohm
Polarisation	Linear
Max. Input Power	25 W
Mounting	Magnetic Mount
Dimensions (mm)	Ø 54 x 80 mm
Cable, Connector	5m LL100 , SMA (m)
Operating temperature	-40 °C to +85 °C
Certificates	IP67, IP69K



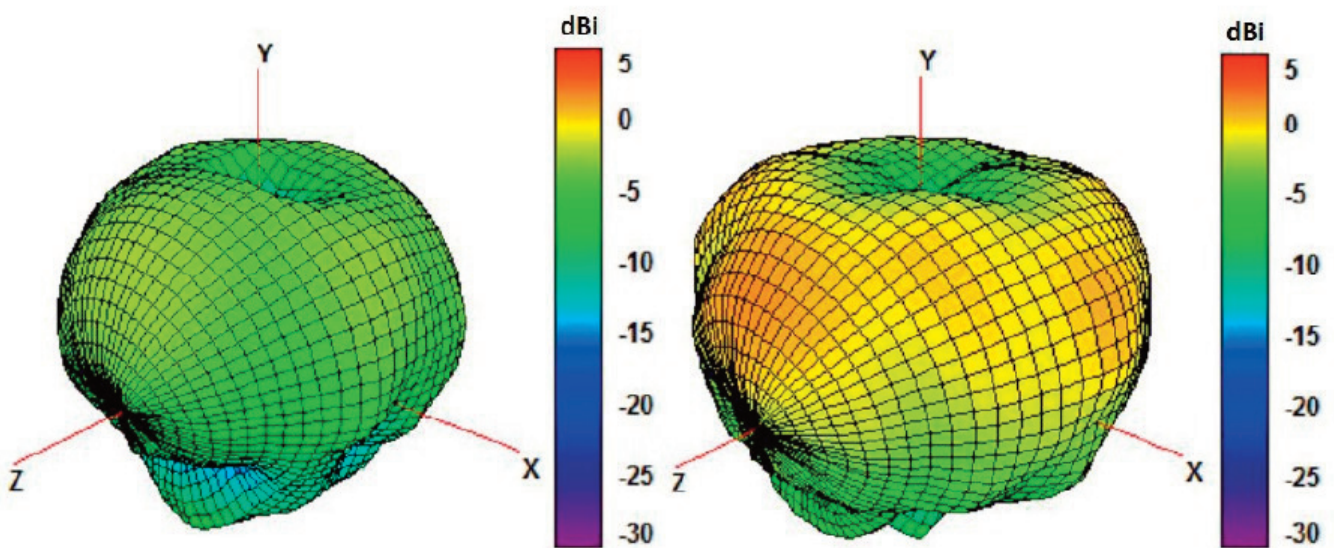
Antenna  
194849



## LTE magnetic mount antenna



750 and 850 MHz Radiation pattern

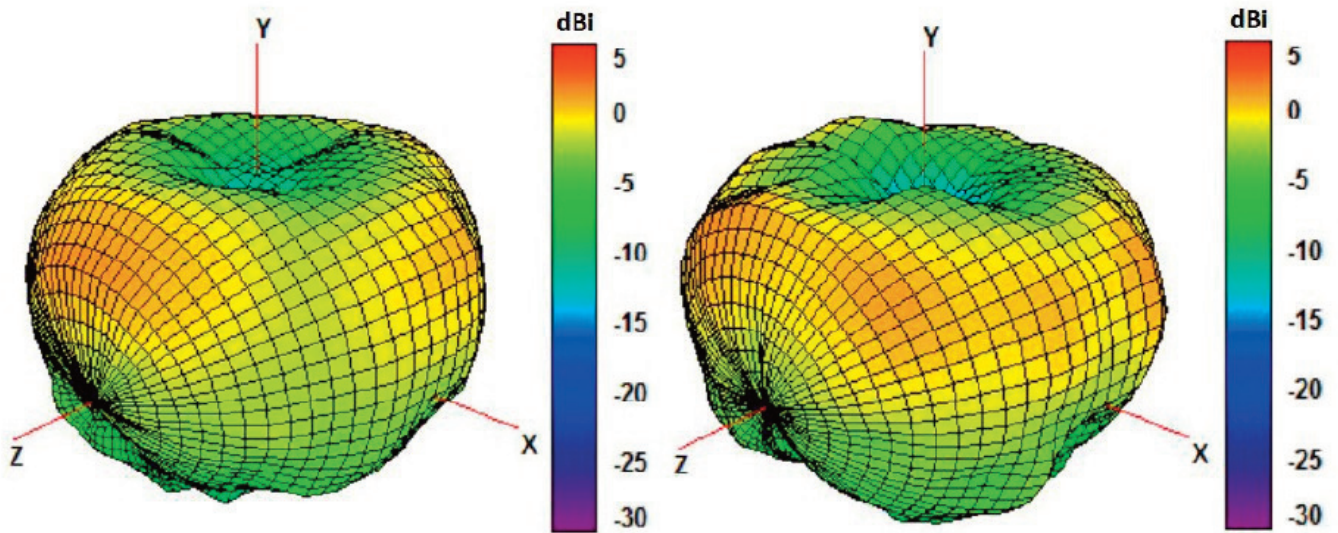


940 and 1750 MHz Radiation pattern

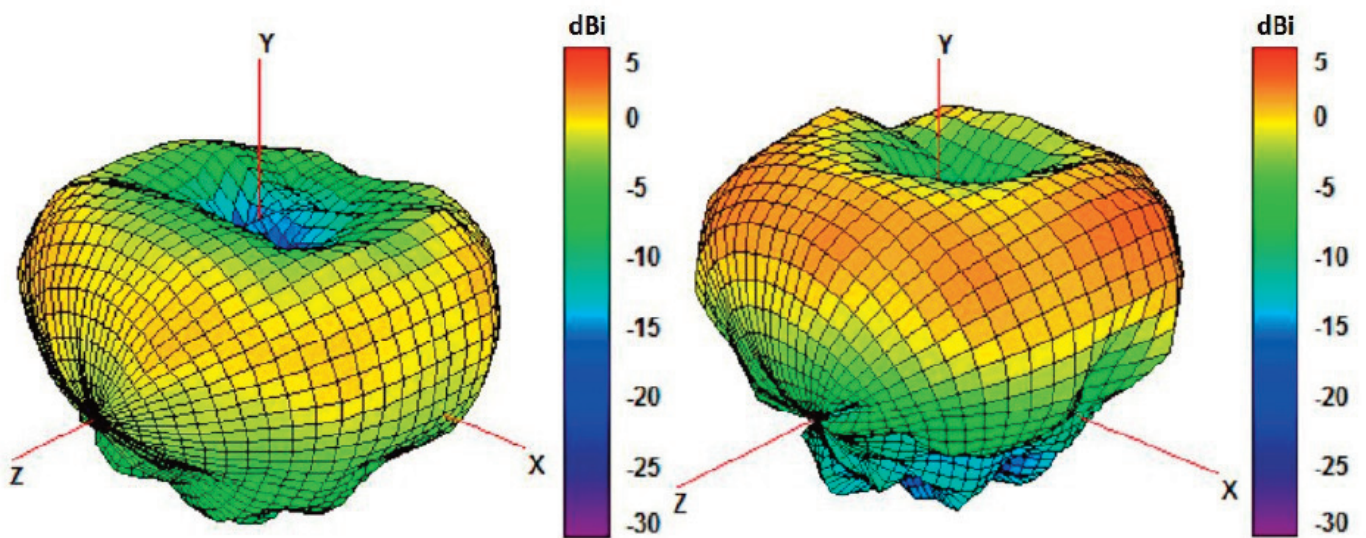
Antenna  
194849



## LTE magnetic mount antenna



1850 and 1950 MHz Radiation pattern



2100 and 2600 MHz Radiation pattern