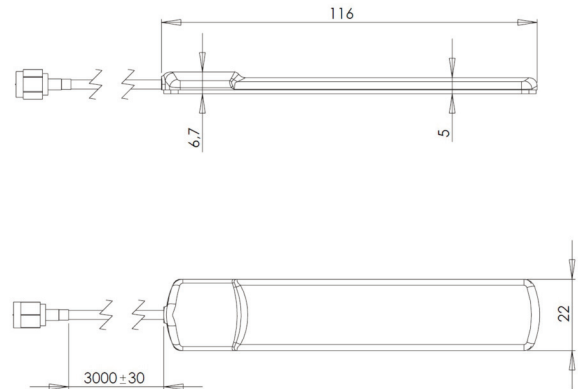


# Antenna 194794



## LTE Adhesive Mount Antenna



### Technical Data:

Standards	2G,3G and 4G		
Band (MHz)	700/850/900	1700/1800/1900/2100	2600
Frequency (MHz)	698-960	1710-2170	2500-2700
Return Loss (dB)	~-17.3	~-14.6	~-15.9
VSWR	~1.3:1	~1.4:1	~1.4:1
Efficiency (%)	~65	~41	~34
Peak Gain (dBi)	~3.0	~2.2	~4.0
Average Gain (dB)	~-1.8	~-3.8	~-4.7
Impedance (Ohm)		50	
Polarisation		Linear	
Radiation Pattern		Omni-Directional	
Max. Input Power (W)		25	
Connector		SMA (male)	
Cable		0,2 m RG174	

### Mechanical Data:

Mounting Type	Adhesive
Dimensions (mm)	116 x 22 x 6.7
Radome	PC/ABS UV Stable
Radome color	Black
Operating Temperature	-40 °C to +85 °C
Storage Temperature	-40 °C to +85 °C
Substance Compliance	RoHS