

Antenna 194829



4G LTE/3G/2G High Performance

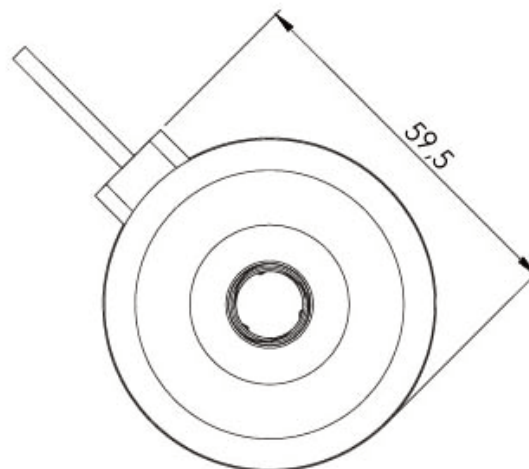
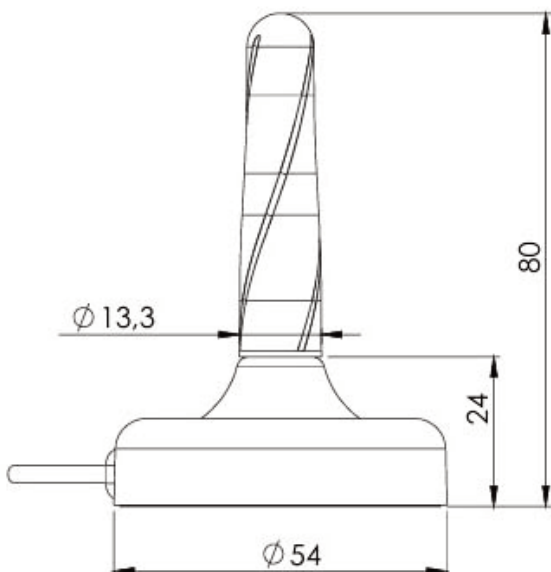


Technical Data:

Standards	2G,3G and 4G
Frequency	698-960, 1710-2170, 2500-2700 MHz
VSWR	~2.1:1, ~1.6:1, ~1.5:1
Efficiency (%)	~56, ~51, ~43
Peak Gain (dBi)	~2.0, ~3.9, ~3.5
Impedance (Ohm)	50
Polarisation	Linear
Max. Input Power (W)	25
Cable	3 m RG174
Connector	SMA (male)

Mechanical Data:

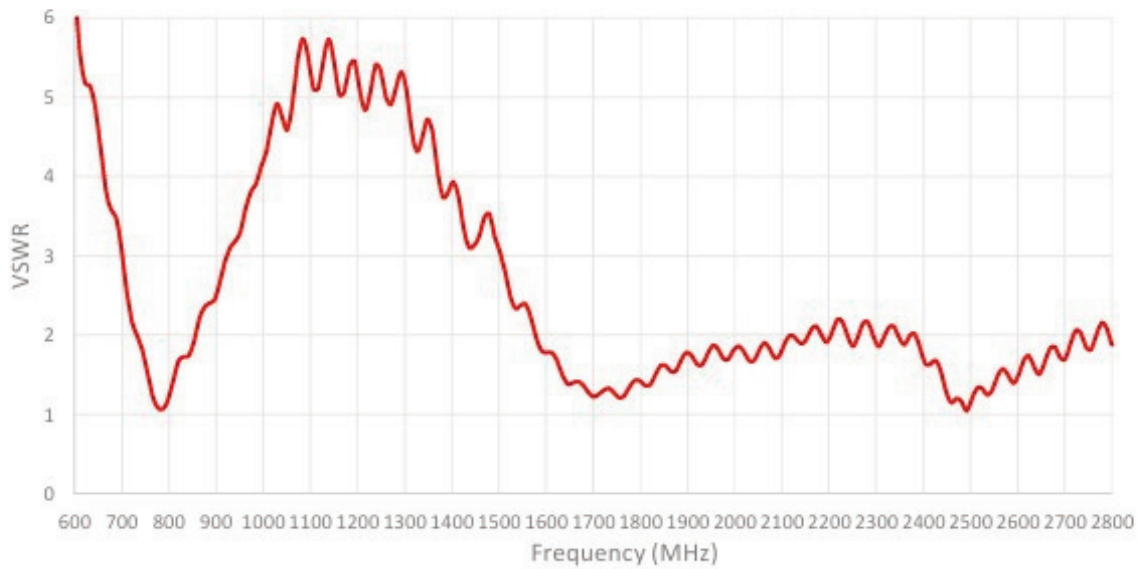
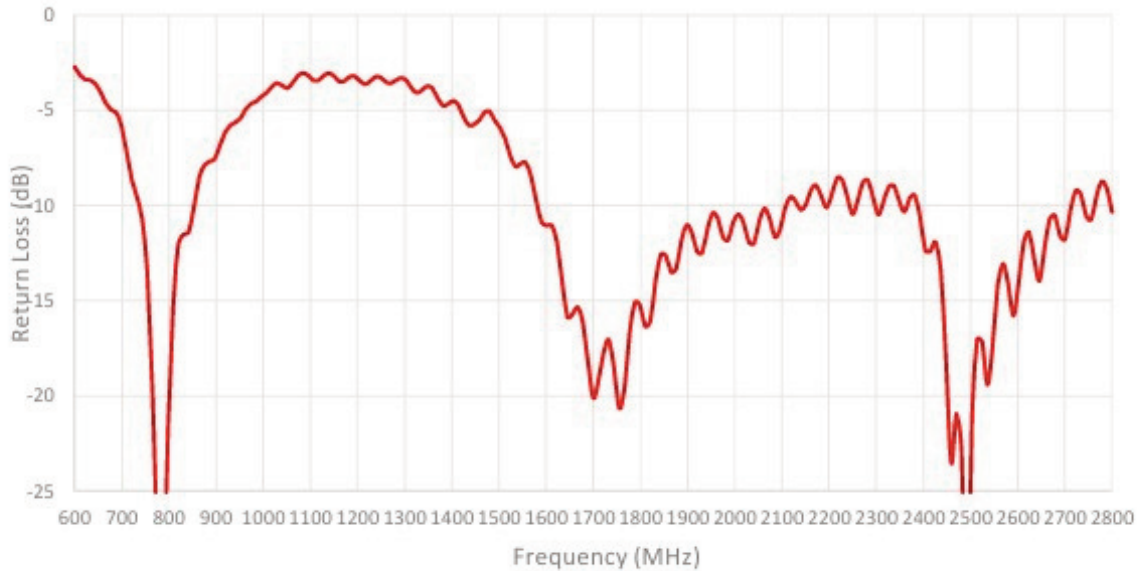
Mounting Type	Magnetic Mount
Dimensions (mm)	Ø 54 x 80
Radome	ASA
Radome color	Black
Operating Temperature	-40 °C to +85 °C
Certification	IP67, IP69K
Substance Compliance	RoHS



Antenna 194829



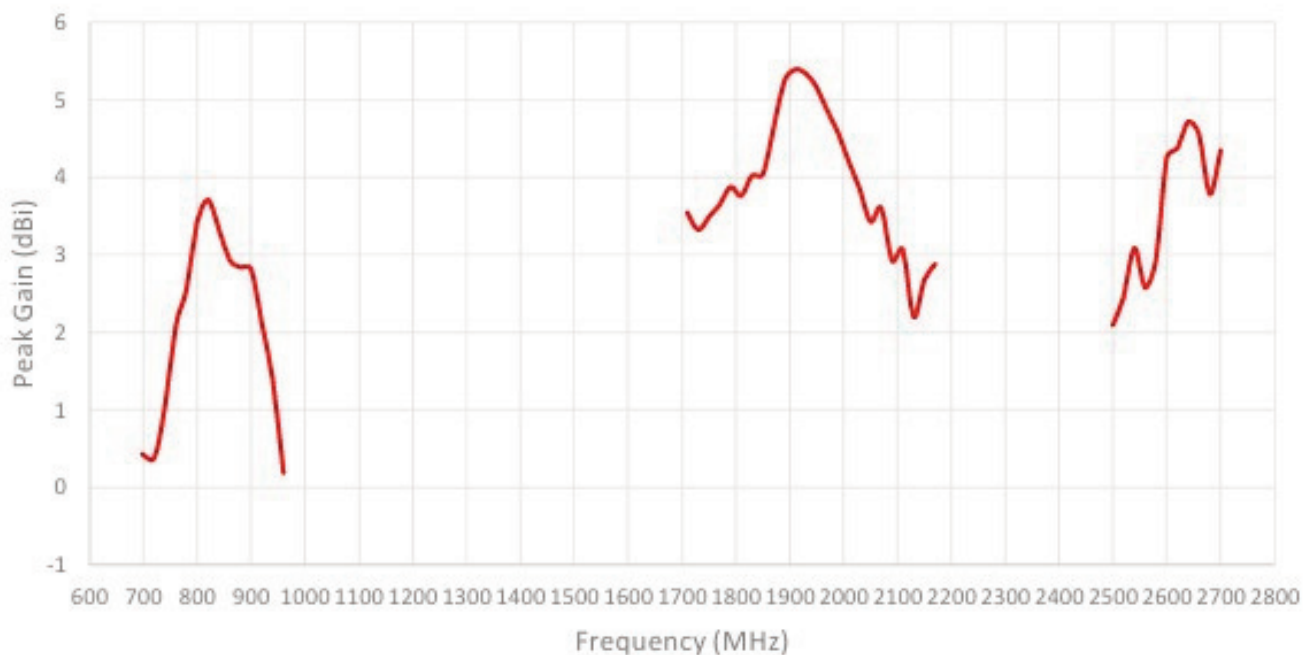
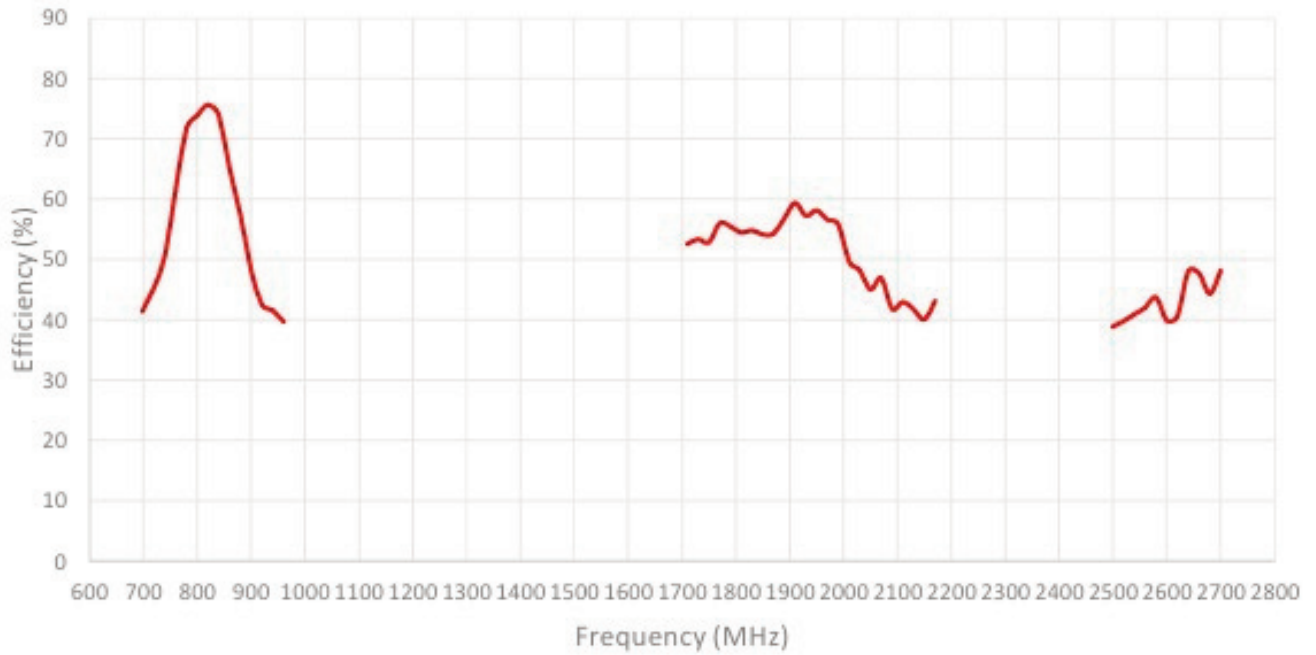
4G LTE/3G/2G High Performance



Antenna
194829



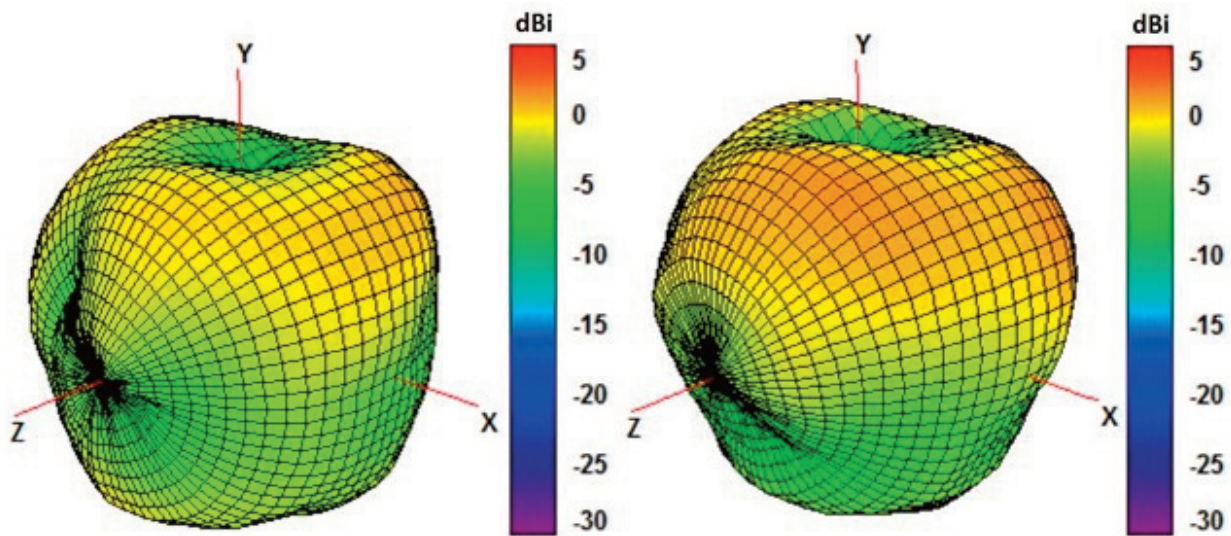
4G LTE/3G/2G High Performance



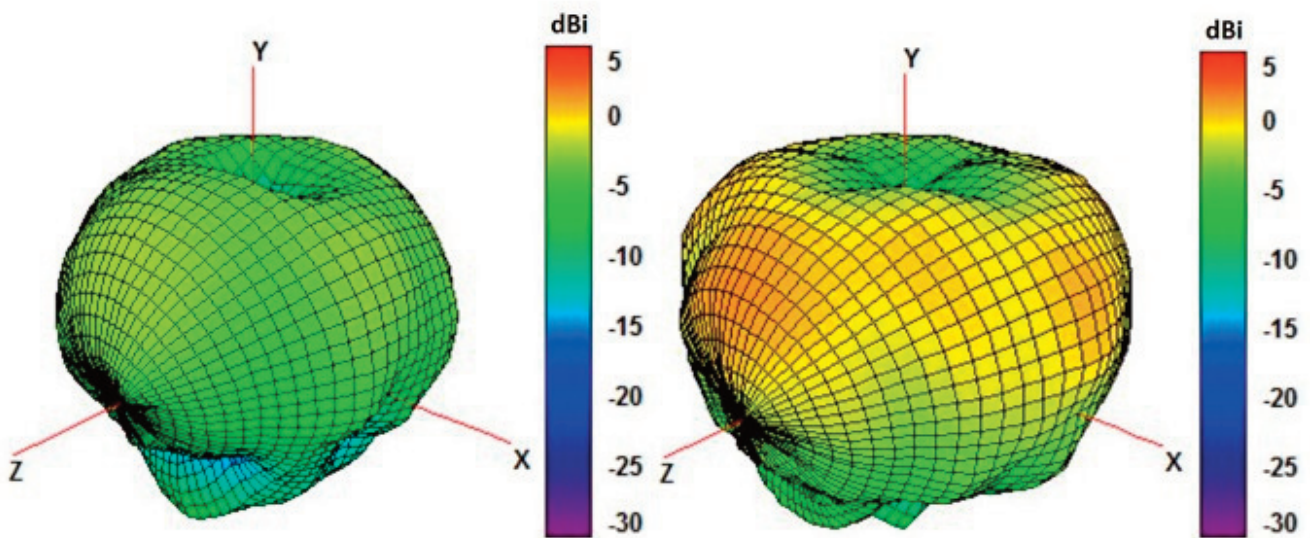
Antenna
194829



4G LTE/3G/2G High Performance



750 and 850 MHz Radiation pattern

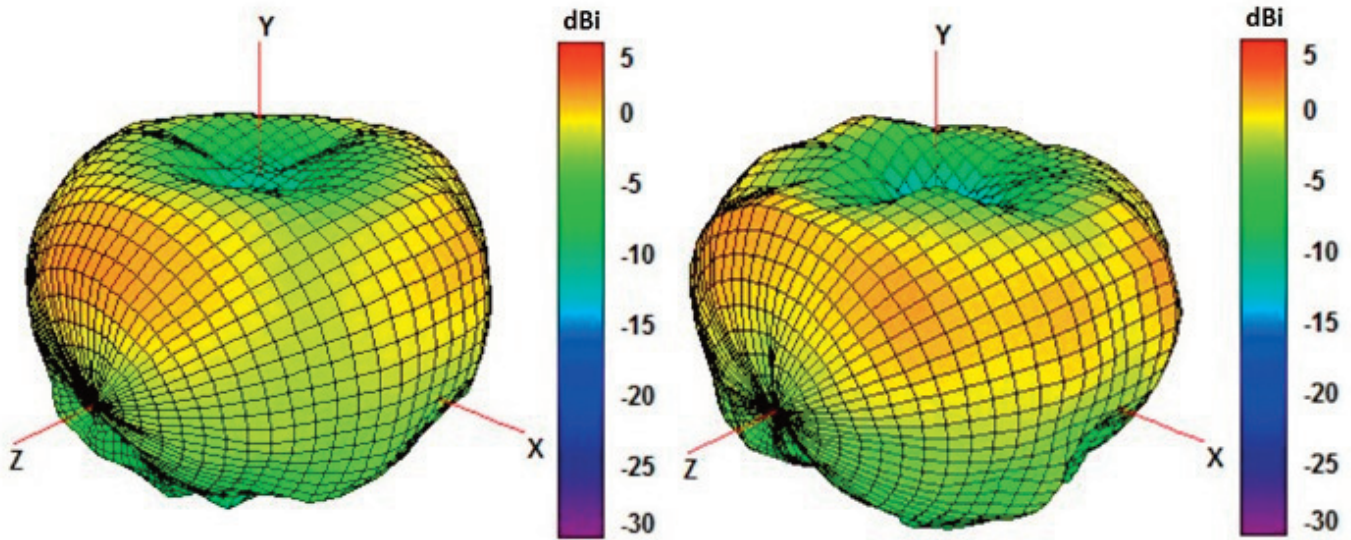


940 and 1750 MHz Radiation pattern

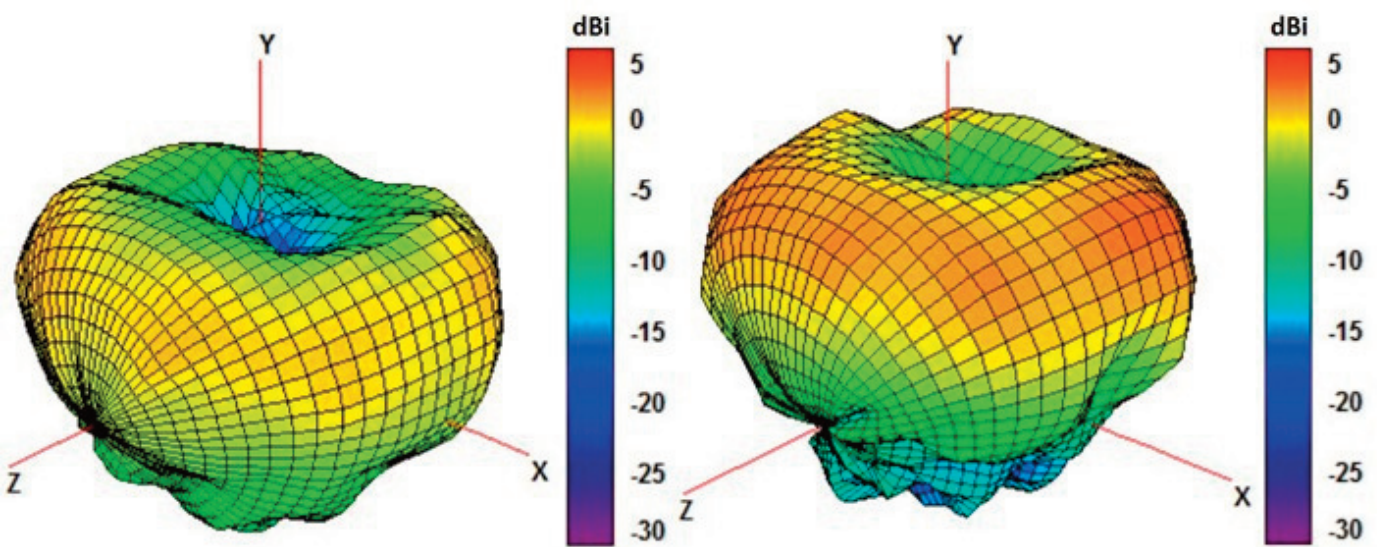
Antenna
194829



4G LTE/3G/2G High Performance



1850 and 1950 MHz Radiation pattern



2100 and 2600 MHz Radiation pattern