

Antenna 195061

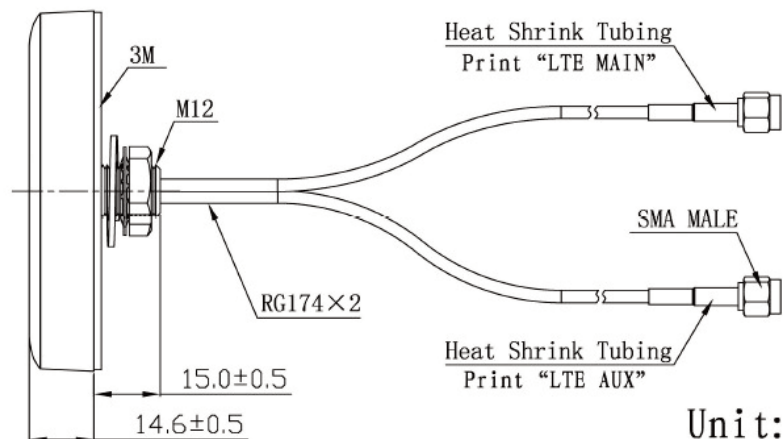
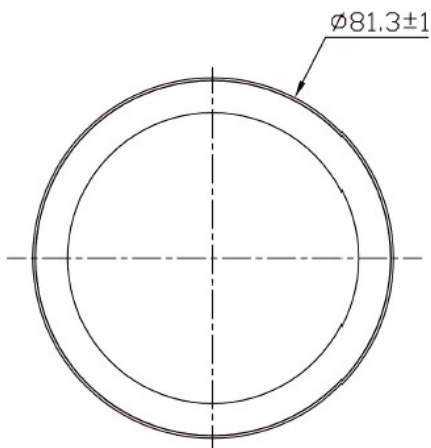


LTE roof antenna Dual



Technical Data:

Type	LTE roof antenna
Frequencies	698-960/1710-2690 MHz
Mounting	Screw
Impedance	50 Ohms
Polarization	Linear
Gain	max. 2.5 dBi
VSWR	<3.0
Operating temperature	-40°C to +85°C
Cable	2x 5m RG174
Connector	SMA male
Material	ABS
Max. dimensions	Diameter 81.3 mm / Height 14.6 mm
Ingress Protection	IP67 (exclude cable outlet)
Environmentally Friendly	ROHS Compliant



Unit: mm

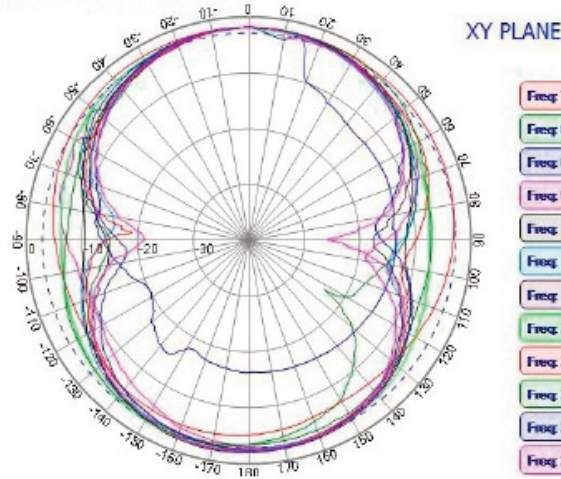
Antenna 195061



LTE roof antenna Dual



LTE Antenna MAIN



LTE Antenna MAIN

